



## WOK TOP, INDUCTION

**Model: E1HCEEOMCS**

**Article no: 600881**

**Power supply: 230V 1Ph ~50-60Hz**

Plug-in induction wok for tabletop installations. The wok top has a 6 mm thick glass-ceramic wok bowl cuvette (290 mm diameter) for durability and easy cleaning.

The wok top has a rapid heat transfer directly to the pan; no heat is dispersed into the environment. The automatic pan detection transfers power only when the pan is present. On top, there is a glass touch display for maximum visibility, and the power level is adjustable from 1 to 10.

The timer function can be used to set the cooking time, switching off the zone automatically at the end of the time set. It is designed for LiberoPro Duo function to regulate the LiberoPro Point fan speed according to cooking intensity.

Note: wok pan and lid are available optional extras.

### MAIN FEATURES

- Plug-in unit
- For tabletop installation
- Automatic pan detection
- Self-diagnostics function

E1HCEEOMCS, 600881

08-09-22 (10:55)

## TECHNICAL DATA

E1HCEEOMCS, 600881, 08-09-22 (10:55)

<b>Model Number Specific</b>	E1HCEEOMCS
<b>Voltage (V)</b>	230
<b>Phase</b>	1
<b>Frequency (Hz)</b>	50-60
<b>Loading (kW)</b>	3,5
<b>Max Amps in Phase (A)</b>	16
<b>IP Class</b>	X4
<b>Width, net (mm)</b>	400
<b>Depth, net (mm)</b>	600
<b>Height, net (mm)</b>	229
<b>Weight, net (kg)</b>	21
<b>Weight, gross (kg)</b>	25
<b>Volume, net (m3)</b>	0,05
<b>Volume, gross (m3)</b>	0,07
<b>Connection Cable, lenght (m)</b>	1,5
<b>Plug type</b>	Schuko
<b>Product brand</b>	Electrolux Professional
<b>Certifications</b>	CE
<b>Hot plate, type</b>	Round
<b>Induction/ceramic dimensions (mm)</b>	290
<b>Induction/ceramic zones, qty (pcs)</b>	1
<b>Installation, type</b>	Table top model

Loipart AB (HQ), **Sweden**  
Tel. +46 313 920 100, loipart@loipart.se

LMG Finland oy, **Finland**  
+358 40 664 6680, lmg@lmg.fi



Loipart USA inc, **USA**  
Tel. +1 954 530 5276, loipartusa@loipart.com

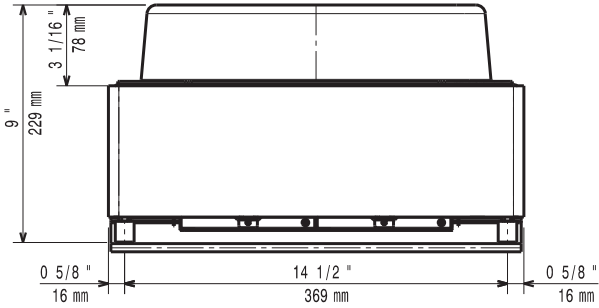
Loipart SEA Pte Ltd, **Singapore**  
Tel. +65 674 99 100, contact@loipart.sg

Visit us at [www.loipart.com](http://www.loipart.com)

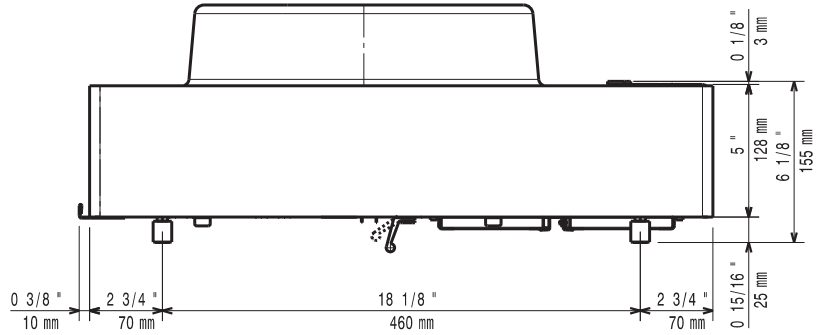
# DIMENSIONS

Model: E1HCCEOMCS Rev. 1

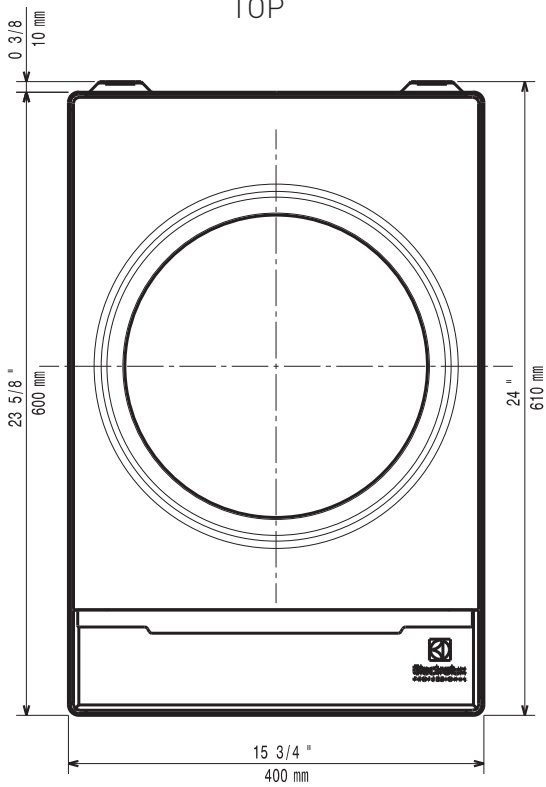
FRONT



SIDE



TOP



1. Electrical connection
2. Equipotential screw
3. Air outlet

BOTTOM

