



VEGETABLE PEELER, 10KG, ABRASIVE PLATE

Model: T10E

Article no: 601805

Power supply: 400V 3Ph ~50/60Hz

Peeling machine with transparent BPA free lid in damage-resistant plastic material allows visibility during peeling cycle. The machine is suitable for 50-200 meals per service and has a timer with a countdown display. The removable rotating plate covered in very resistant abrasive material (silicon carbide) reduces the peel to small pieces to facilitate drainage process.

The machine has a pulse function to control the unloading operation, and magnetic detectors will stop the machine from operating when the lid or door is open. The peeler is easy to clean thanks to the removable water inlet, clipped to the cover, designed to serve as a spray to clean the machine.

IP55 waterproof touch button control panel.

MAIN FEATURES

- Transparent lid
- Pulse function
- Timer
- Safe to use
- Suitable for 50-200 meals per service

T10E, 601805
17-01-24 (07:31)

Subject to change without notice
For correct installation, refer to the installation manual

TECHNICAL DATA

T10E, 601805, 17-01-24 (07:31)

Model Number Specific	T10E
Voltage (V)	400
Phase	3
Frequency (Hz)	50/60
Loading (kW)	0,37
IP Class	34
Capacity (kg)	10
Capacity, max (kg/h)	160
Width, net (mm)	440
Depth, net (mm)	690
Height, net (mm)	680
Weight, net (kg)	39
Weight, gross (kg)	47
Volume, net (m3)	0,21
Volume, gross (m3)	0,27
Cold water inlet, diameter (")	1/2
Meals per service (pcs)	200
Noise level <(dB)	72

INCLUDED IN DELIVERY

1pcs of Abrasive plate for T10 or T15 (653203)

Loipart AB (HQ), **Sweden**
Tel. +46 313 920 100, loipart@loipart.se

LMG Finland oy, **Finland**
+358 40 664 6680, lmg@lmg.fi



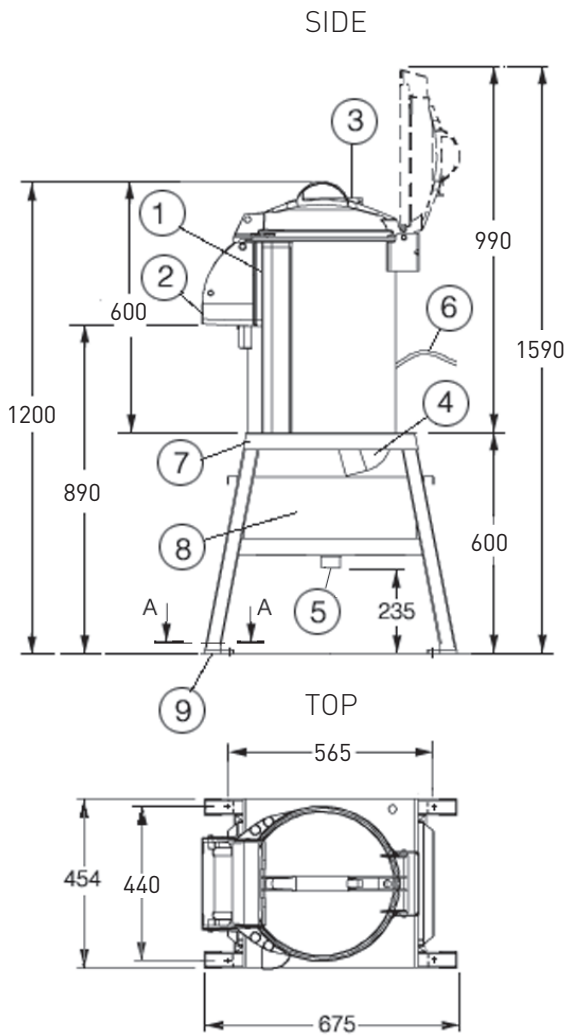
Loipart USA inc, **USA**
Tel. +1 954 530 5276, loipartusa@loipart.com

Loipart SEA Pte Ltd, **Singapore**
Tel. +65 674 99 100, contact@loipart.sg

Visit us at www.loipart.com

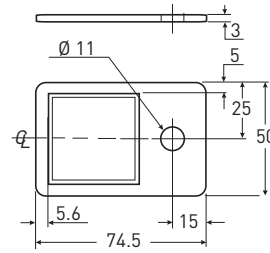
DIMENSIONS

Model: T10 Rev. 1



1. Control panel with reset button and timer
2. Outlet chute for vegetables
3. Water connection 1/2"
4. Drain \varnothing 80 mm
5. Drain \varnothing 50 mm, to be connected to floor drain or floor gully
6. Electrical connection, 2 m cord included
7. S/s filter table (optional extra)
8. S/s filter (optional extra)
9. Feet

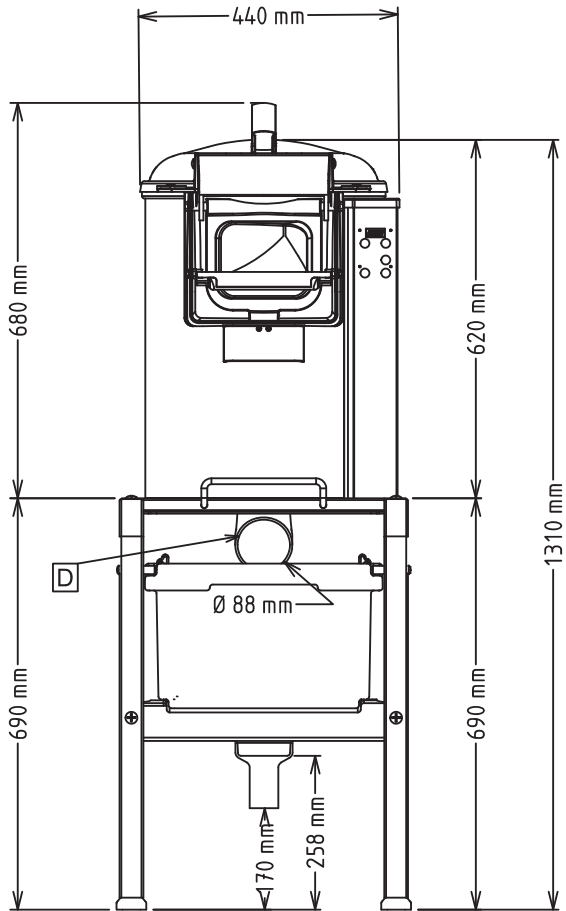
S/s filter table - section A-A:



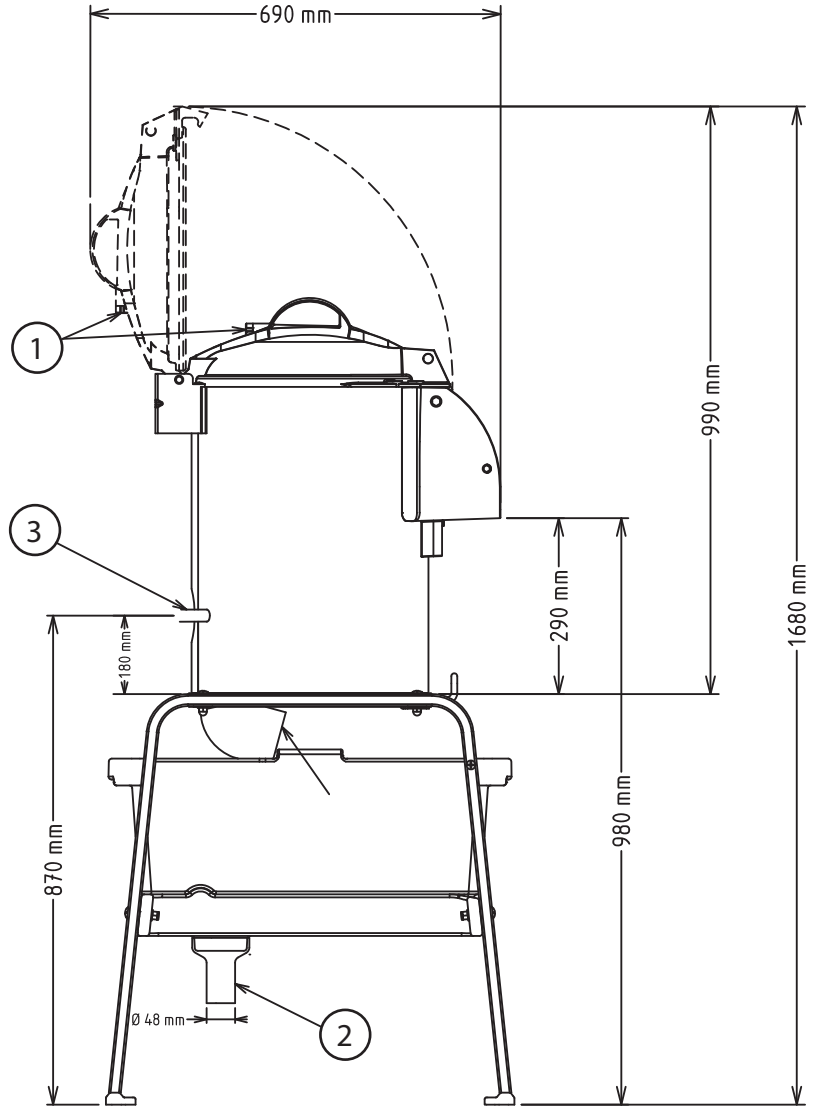
DIMENSIONS

Model: T10E Rev. 1

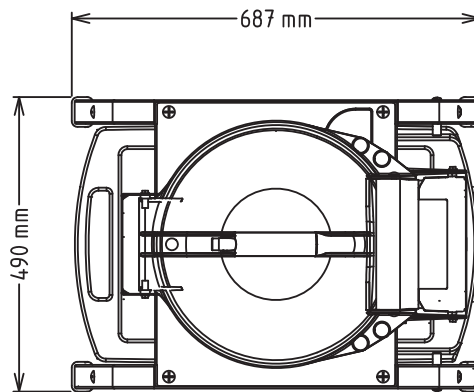
FRONT



SIDE



TOP



- 1. Cold water inlet
- 2. Drain
- 3. Electrical connection