



UNIVERSAL KITCHEN MACHINE 5L

Model: TEDDY

Article no: WODM0050001Z

Power supply: 230V 1Ph ~50/60Hz

The Teddy Universal kitchen machine comes with a 5-liter stainless steel mixing bowl with a lid, a wire whip made of 2.5 mm wire, a beater and a specially designed hook. All accessories are made of stainless steel and are dishwasher-safe.

Its die-cast, rounded design, and no external screws or openings make the kitchen machine easy to clean.

The model has an attachment drive for mounting an optional stainless steel meat mincer.

A fixed grille, detachable filling tray, and splash guard protect both the operator and the ingredients while allowing the mixing process to be monitored.

The bowl is held effectively in place during operation by a single lever.

A wide footprint and suction cups ensure the mixer is stable during operation.

Speed is infinitely adjusted using the pass-through control knob, which allows the unit to be operated from either side.

The knob is also the click-lock and hinge point when the mixer head is tilted back to change tools.

MAIN FEATURES

- With attachment hub for accessories
- Easy cleaning
- Safety screen and splash guard
- Mixing tools in stainless steel and dishwasher safe
- Affixed bowl and wide footprint
- Easy operation

TEDDY, WODM0050001Z

15-01-24 (16:18)

Model Number Specific	TEDDY
Voltage (V)	230
Phase	1
Frequency (Hz)	50/60
Loading (kW)	0,5
IP Class	42
Capacity (L)	5
Capacity (kg)	2,5
Width, net (mm)	240
Depth, net (mm)	462
Height, net (mm)	400
Weight, net (kg)	18
Weight, gross (kg)	20
Volume, net (m3)	0,04
Volume, gross (m3)	0,06
Plug type	Schuko
Attachment drive	Yes
Installation, type	Table top model
Mixer, type	Planetary
Noise level <(dB)	60
USPH	Yes

INCLUDED IN DELIVERY

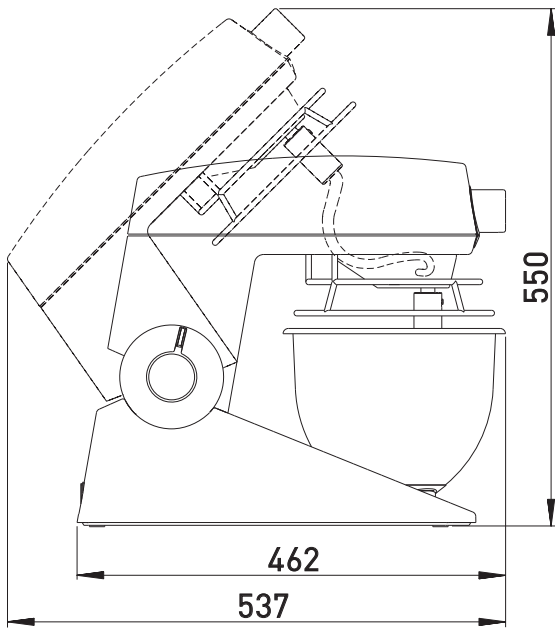
Splash guard, Filling skid, Whip, Beater, Hook, Bowl with lid.



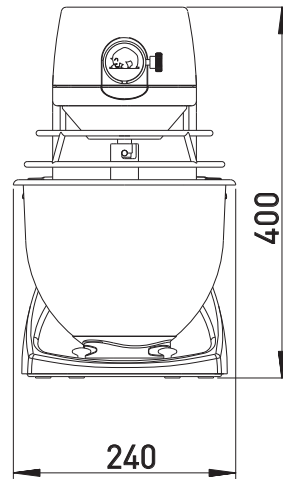
DIMENSIONS

Model: TEDDY Rev. 1

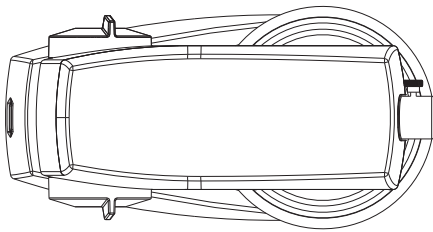
SIDE



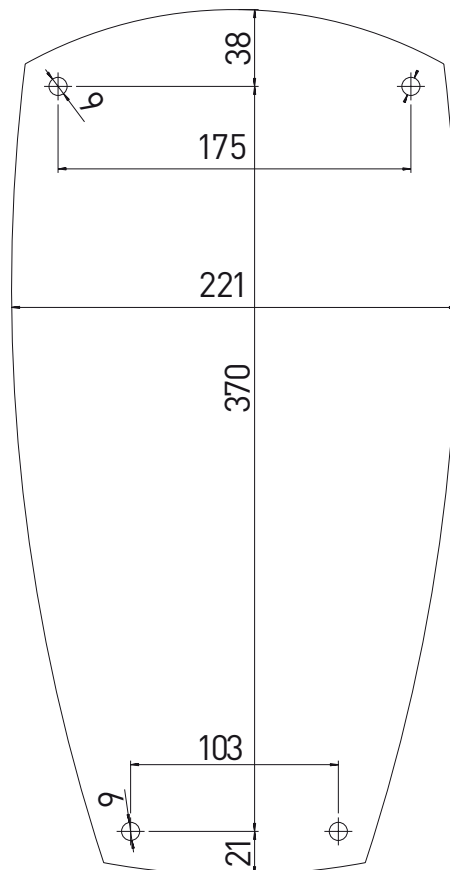
FRONT



TOP



BOTTOM



Screw type for Teddy mounting, scale 1:1
M8x1.25. Free thread over table face:
Min 13mm;
Max 16mm