



TUMBLE DRYER, CONDENSER 8KG, MYPRO

Model: TE1120

Article no: 916097782

Power supply: 230V 1Ph ~60Hz

A semi-professional dryer that processes all laundry in one go, thanks to the generous 8 kg capacity. The dryer prevents over-drying of garments and saves time and energy with professional Residual Moisture Control technology. The dryer is rated A for condensation efficiency and B for energy efficiency.

It is possible to use the direct connection from the condensed water tank to drain for instant discharge. There will be no chemical corrosion problem on the machine as it has a stainless steel front and top.

You can rely on an extra-long lifetime due to a durable machine construction with professional components. And low vibration and noise below 70 dB based on the specially designed transmission system, condenser, and paneling.

MAIN FEATURES

- Low energy consumption
- Low noise level
- Possible to direct connect to drain

TE1120, 916097782

16-01-24 (13:49)

TECHNICAL DATA

TE1120, 916097782, 16-01-24 (13:49)

Model Number Specific	TE1120
Voltage (V)	230
Phase	1
Frequency (Hz)	60
Loading (kW)	2,8
Fuse (A)	13
IP Class	X4
Capacity (kg)	8
Width, net (mm)	596
Depth, net (mm)	625
Height, net (mm)	850
Weight, net (kg)	44
Weight, gross (kg)	48
Volume, net (m3)	0,32
Volume, gross (m3)	0,41
Connection Cable, length (m)	1,4
Plug type	Schuko
Drain pipe, diameter (mm)	15
Dryer, type	Condenser
Drying cycle time (min)	129
Installation, type	Floor model
Noise level <(dB)	67
Residual moisture control	Yes
Volume, drum (L)	118

Loipart AB (HQ), **Sweden**
Tel. +46 313 920 100, loipart@loipart.se

LMG Finland oy, **Finland**
+358 40 664 6680, lmg@lmg.fi



Loipart USA inc, **USA**
Tel. +1 954 530 5276, loipartusa@loipart.com

Loipart SEA Pte Ltd, **Singapore**
Tel. +65 674 99 100, contact@loipart.sg

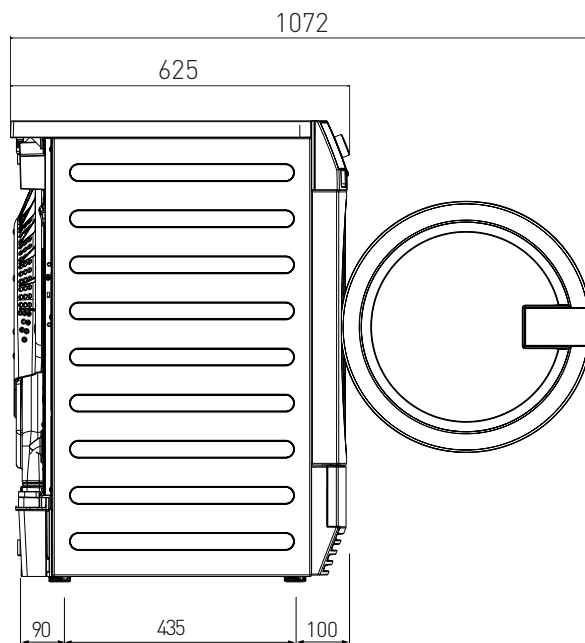
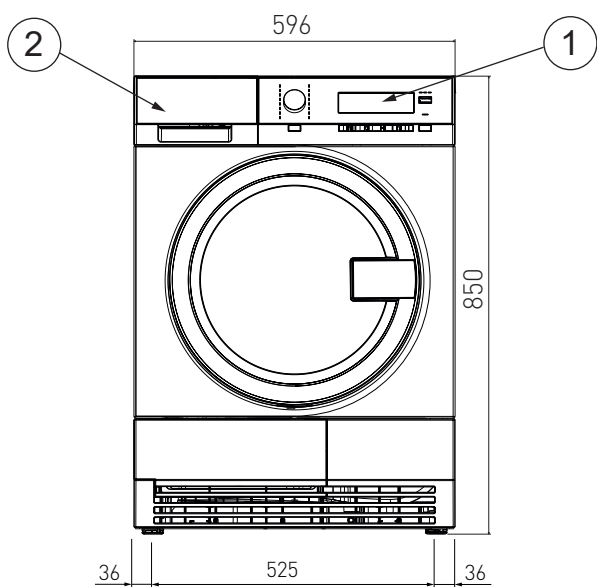
Visit us at www.loipart.com

DIMENSIONS

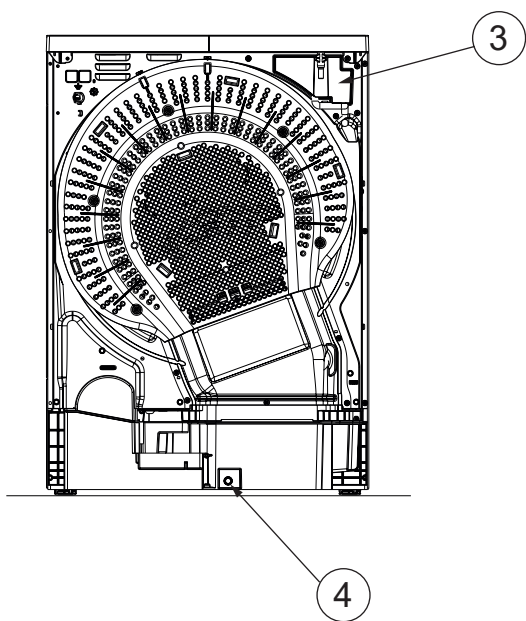
Model: TE1120 Rev. 1

FRONT

SIDE



BACK



- 1. Operating panel
- 2. Condensed water tank
- 3. Drain pump
- 4. Direct drain

1 Installation of marine brackets/anchor kit

To ensure that the machine is steady it is important to fasten it to the floor.

Two persons are required for this installation.

1. Disconnect the power to the machine.
2. Mark the position of the holes of the brackets by putting them in place according to the figure before removing the machine.
3. Remove the machine from its position.
4. Drill four holes according to the specifications for the bolts used (max. M10).
5. Place the machine in its position.
6. Make sure the machine is in level.
7. Place the marine brackets in its position, securing the feet.
8. Secure the brackets.
9. Connect the power to the machine.

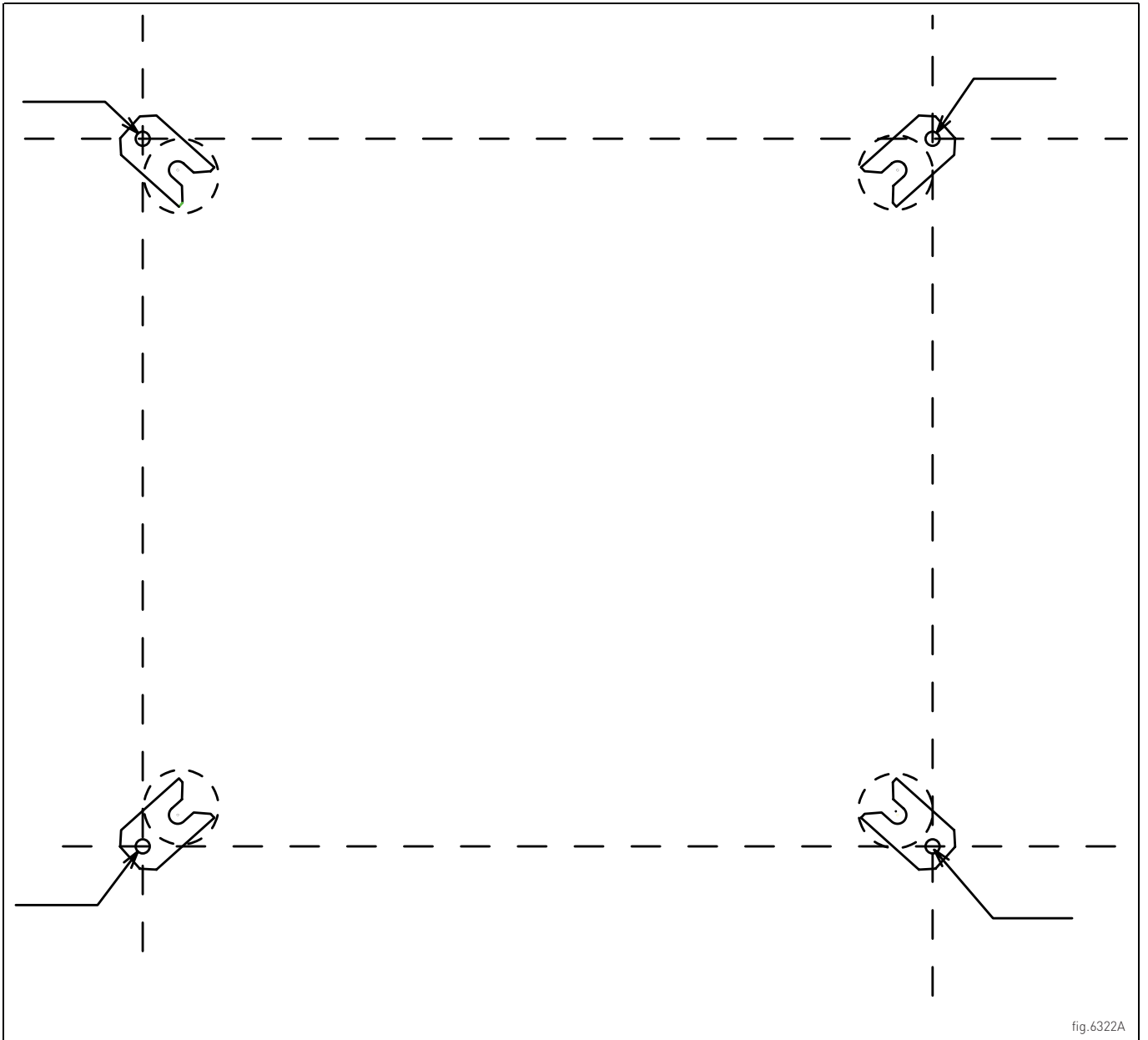


fig.6322A