



TUMBLE DRYER, CONDENSER 6 KG

Model: TD6-6

Article no: 9872130044

Power supply: 230V 1Ph ~60Hz

The TD6-6 Tumble dryer is featuring exceptional savings and easy use with a certified ergonomic design and a human-centred approach for outstanding user experience. Innovative features will save money and time and embrace a sustainable lifestyle.

The tumbler has a reversible door hanging for a convenient laundry flow. A stainless steel drum and easy access to vital parts from the top and rear for simple servicing. Residual Moisture Control ensures an accurate drying result and low energy consumption. The reversing drum improves productivity for less tangling of large items.

The model offers a possibility to monitor your equipment and performance from anywhere, allowing you to take action and to improve your business with OnE Laundry - the personal assistant for hygiene validation management, process management and revenue management.

For optimal performance, the room temperature should not exceed 25° Celcius.

MAIN FEATURES

- Reversible door
- Reversing drum
- Residual Moisture Control
- Ergonomic design
- Optional extra stacking frame for mounting TD6-6 on top of WH6-6

TD6-6, 9872130044

16-01-24 (13:45)

Subject to change without notice
For correct installation, refer to the installation manual

TECHNICAL DATA

TD6-6, 9872130044, 16-01-24 (13:45)

Model Number Specific	TD6-6
Voltage (V)	230
Phase	1
Frequency (Hz)	60
Loading (kW)	3,5
Fuse (A)	16
IP Class	X4
Capacity (kg)	6
Capacity, filling factor	1:22
Capacity, filling factor (kg)	6
Width, net (mm)	597
Depth, net (mm)	715
Height, net (mm)	839
Weight, net (kg)	67
Weight, gross (kg)	77
Volume, net (m3)	0,36
Volume, gross (m3)	0,47
Connection Cable, length (m)	0
Plug type	None
Certifications	CE
Condensate line, diameter (")	1/2
Door Hanging	Left
Drum type	Stainless steel
Dryer, type	Condenser
Drying cycle time (min)	55
Energy consumption (kW/h)	2,96
Exterior	Colored
Installation, type	Floor model
Noise level <(dB)	67
Other general information	Heating Power 3 kW
Residual moisture control	Yes
Reversing drum	Yes
SS Front panel	No
Stackable	Yes

Loipart AB (HQ), Sweden
Tel. +46 313 920 100, loipart@loipart.se

LMG Finland oy, Finland
+358 40 664 6680, lmg@lmg.fi



Loipart USA inc, USA
Tel. +1 954 530 5276, loipartusa@loipart.com

Loipart SEA Pte Ltd, Singapore
Tel. +65 674 99 100, contact@loipart.sg

Visit us at www.loipart.com

Touch control	No
Volume, drum (L)	130

INCLUDED IN DELIVERY

A hose for the drainage of condensed water is available as an accessory.

Loipart AB (HQ), **Sweden**
Tel. +46 313 920 100, loipart@loipart.se

LMG Finland oy, **Finland**
+358 40 664 6680, lmg@lmg.fi



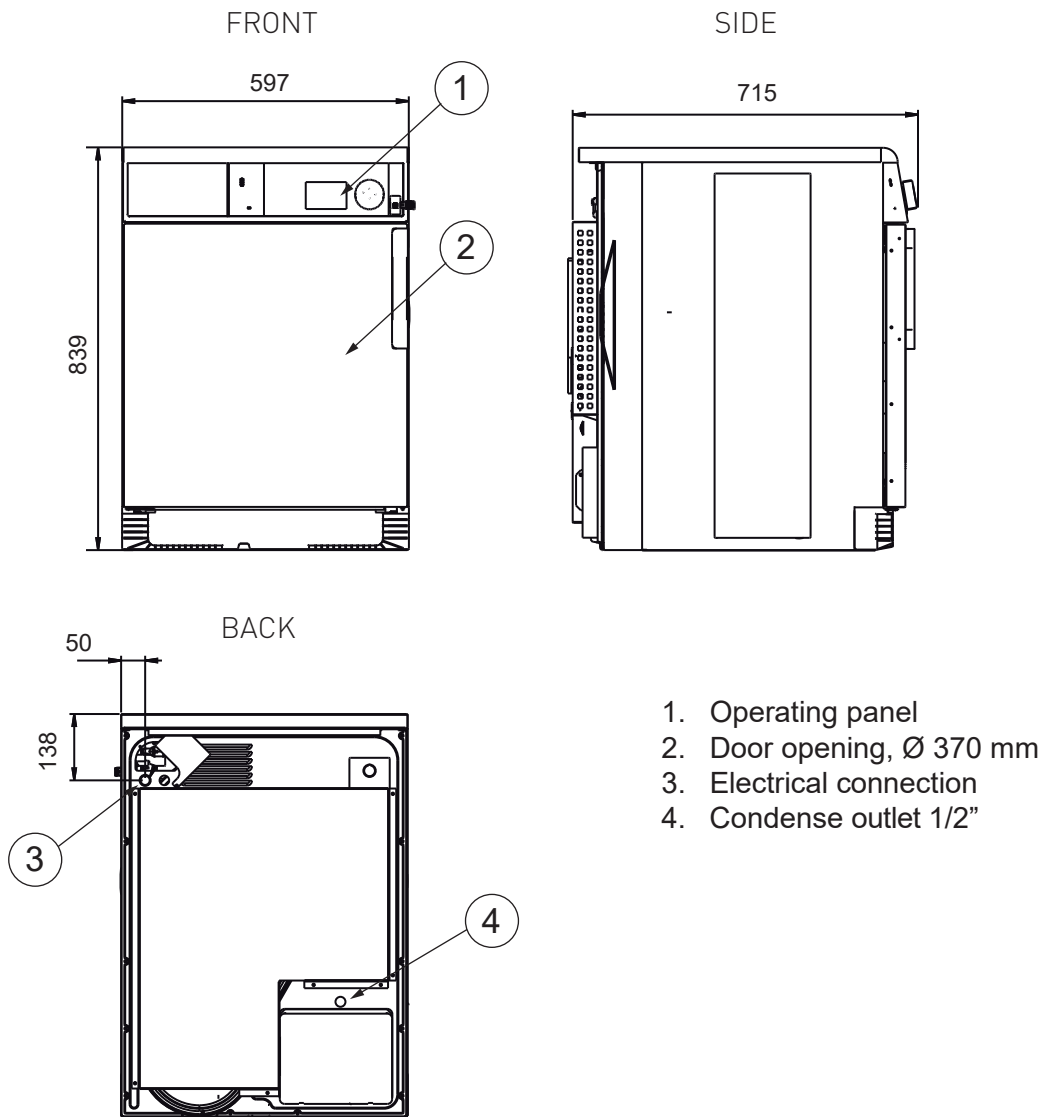
Loipart USA inc, **USA**
Tel. +1 954 530 5276, loipartusa@loipart.com

Loipart SEA Pte Ltd, **Singapore**
Tel. +65 674 99 100, contact@loipart.sg

Visit us at www.loipart.com

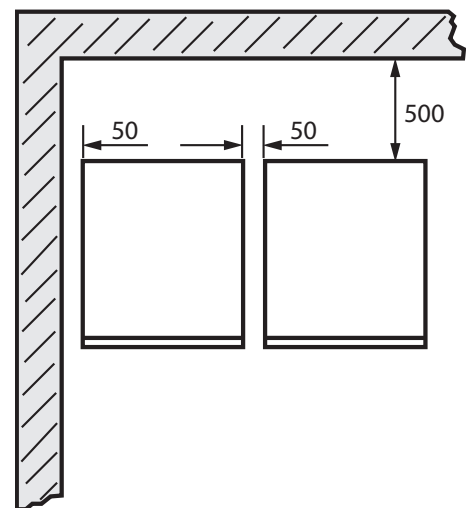
DIMENSIONS

Model: TD6-6 Condense Rev. 2



*Adjustable height 14mm

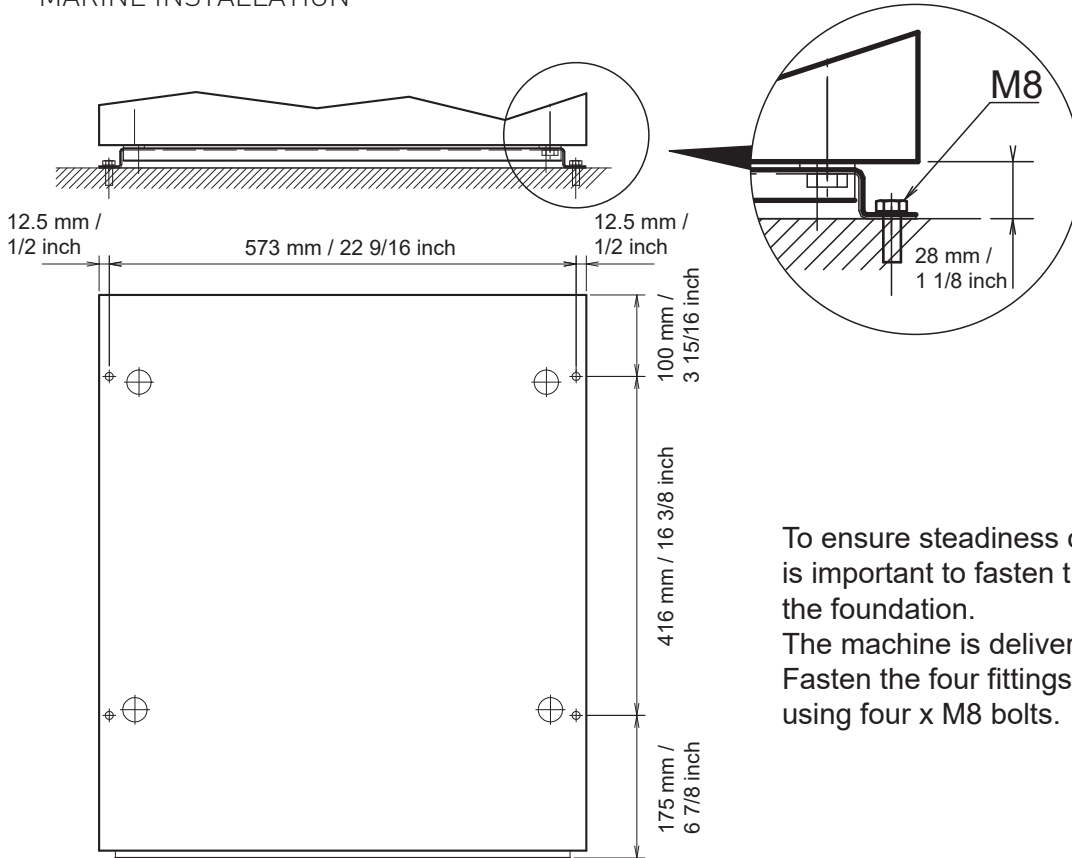
The machine should be positioned so that there is plenty of room for working, both for the user and service personnel. The figure shows minimum distance to a wall and/or other machines.



DIMENSIONS

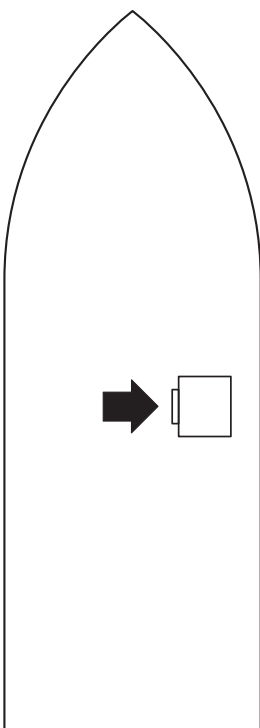
Model: TD6-6 Rev.2

MARINE INSTALLATION



To ensure steadiness of the machine it is important to fasten the machine to the foundation.
The machine is delivered with fittings. Fasten the four fittings to the foundation using four x M8 bolts.

POSITION ON VESSEL



The unit shall be placed as in the figure.