



## TUMBLE DRYER, 10 KG

**Model: TD6-10**

**Article no: 9873530008**

**Power supply: 440V 3Ph ~60Hz**

The TD6-10 tumble dryer has a certified ergonomic design with a human-centered approach for an outstanding user experience. The reversible door hanging makes the tumble dryer adaptable for a convenient laundry flow. It's easy to access vital parts from front and rear for simple servicing.

The tumble dryer has innovative features to save money, time and embrace a sustainable lifestyle. Moisture Balance (optional) helps to stop the drying process at the right time to save on energy costs.

Dry more laundry in less time: a game-changing improvement. The reversing drum minimizes wrinkles and drying time to get an effective and even drying performance with two full loads per hour.

The Global Advanced Hygiene program package with proven log 6 reduction disinfection of textiles through the laundry process, fulfilling the criteria of all locally approved standards.

### MAIN FEATURES

- Certified ergonomic design
- Reversing drum
- Compass Pro control
- Moisture Balance (optional)
- Reversible door hanging

TD6-10, 9873530008  
16-01-24 (13:34)

Subject to change without notice  
For correct installation, refer to the installation manual

<b>Model Number Specific</b>	TD6-10
<b>Voltage (V)</b>	440
<b>Phase</b>	3
<b>Frequency (Hz)</b>	60
<b>Loading (kW)</b>	8,4
<b>Fuse (A)</b>	16
<b>IP Class</b>	X4
<b>Capacity (kg)</b>	10
<b>Capacity, filling factor</b>	1:18
<b>Capacity, filling factor (kg)</b>	10,6
<b>Width, net (mm)</b>	720
<b>Depth, net (mm)</b>	747
<b>Height, net (mm)</b>	1113
<b>Weight, net (kg)</b>	103
<b>Weight, gross (kg)</b>	114
<b>Volume, net (m3)</b>	0,8
<b>Volume, gross (m3)</b>	1,04
<b>Connection Cable, length (m)</b>	0
<b>Plug type</b>	None
<b>Certifications</b>	CE, Ergocert (Ergonomics Certified)
<b>Door Hanging</b>	Right (is reversible)
<b>Drum type</b>	Galvanized
<b>Dryer, type</b>	Vented
<b>Drying cycle time (min)</b>	35
<b>Energy consumption (kW/h)</b>	4,03
<b>Exterior</b>	Colored
<b>Installation, type</b>	Floor model
<b>Noise level &lt;(dB)</b>	70
<b>Other general information</b>	Exhaust outlet Ø125, Heating Power 6 kW
<b>Residual moisture control</b>	Yes
<b>Reversing drum</b>	Yes
<b>SS Front panel</b>	No
<b>Stackable</b>	No
<b>Touch control</b>	No

<b>Volume, drum (L)</b>	190
-------------------------	-----

---

Loipart AB (HQ), **Sweden**  
Tel. +46 313 920 100, loipart@loipart.se

LMG Finland oy, **Finland**  
+358 40 664 6680, lmg@lmg.fi



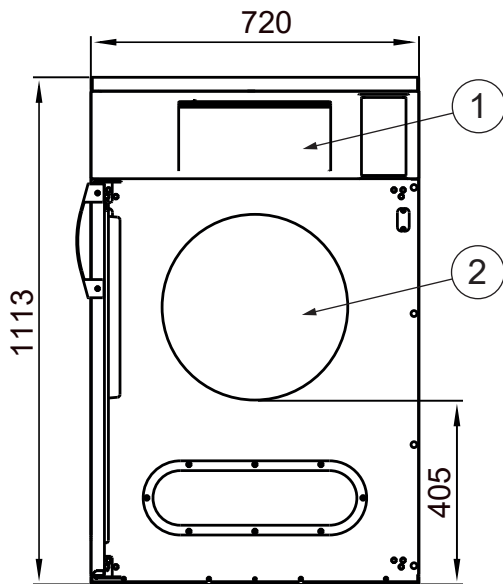
Loipart USA inc. **USA**  
Tel. +1 954 530 5276, loipartusa@loipart.com

Loipart SEA Pte Ltd, **Singapore**  
Tel. +65 674 99 100, contact@loipart.sg

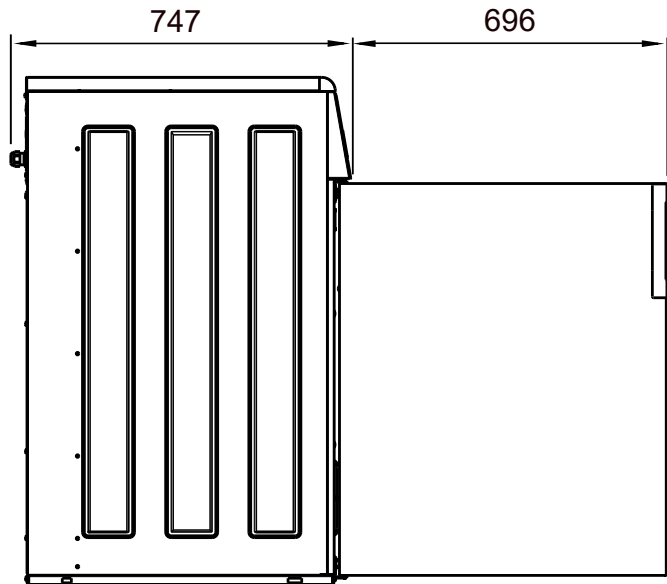
Visit us at [www.loipart.com](http://www.loipart.com)

# DIMENSIONS

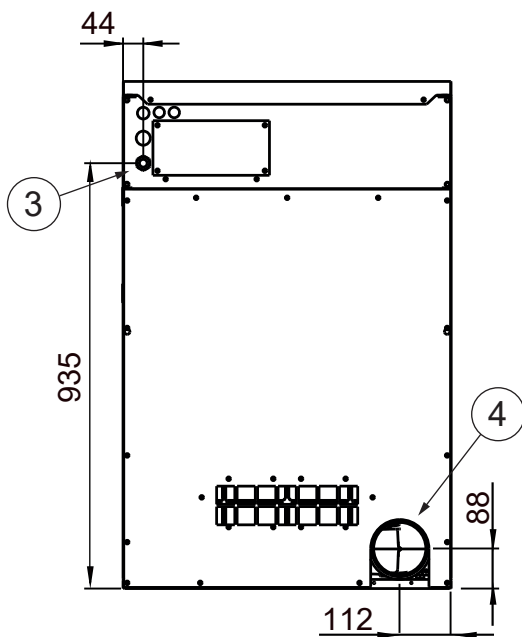
FRONT



SIDE



BACK



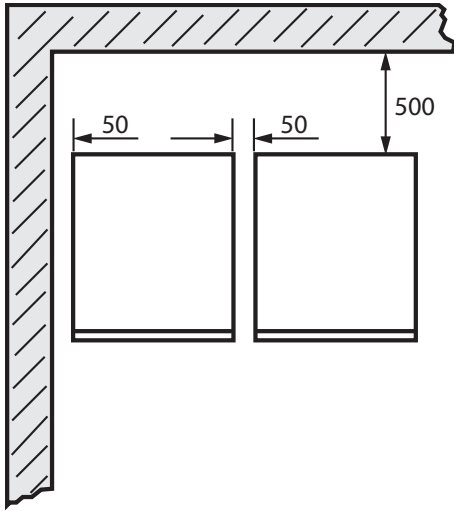
- 1. Operating panel
- 2. Door opening,  $\varnothing$  580 mm
- 3. Electrical connection
- 4. Air outlet 125 mm

## DIMENSIONS

Model: TD6-10 Rev. 1

### POSITIONING OF MACHINE

The machine should be positioned so that there is plenty of room for working, both for the user and service personnel. The figure shows minimum distance to a wall and/or other machines.

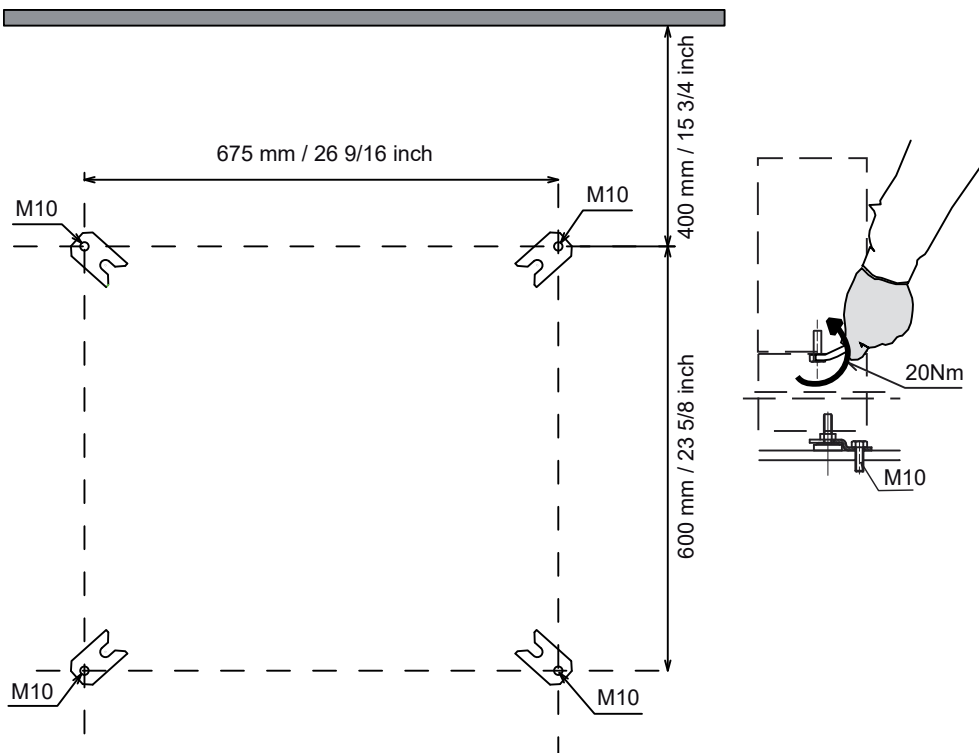


### MARINE INSTALLATION

To ensure steadiness of the machine it is important to fasten the machine to the foundation.

Fasten the four fittings (supplied with the marine machine model) to the foundation using four x M10 set screws.

Fasten the machine to the fittings.



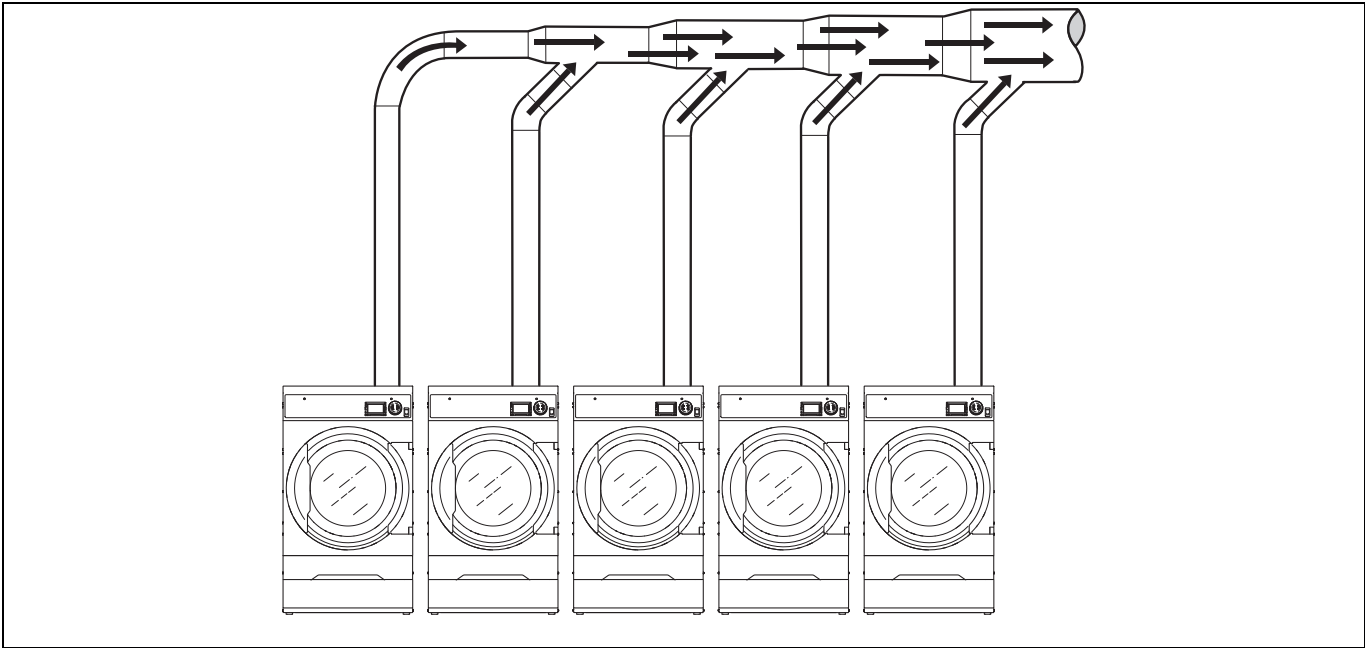


It is recommended that each machine is connected to a separate exhaust duct.

**Air principles**

*Note! It is very important that the machine gets enough fresh air in order to get the best drying result.*

The fan creates low pressure in the machine, drawing air into the drum via the heating unit. The heated air passes through the garments and the drum holes and flows out through the filter positioned below the drum. The air is then evacuated through the fan and exhaust system.



Number of machines		1	2	3	4	5	6	7	8	9	10
Exhaust duct	Ømm	125	200	250	250	315	315	400	400	400	400
Recommended area of fresh air intake	m <sup>2</sup>	0.06	0.16	0.25	0.25	0.39	0.39	0.63	0.63	0.63	0.63
Minimum area of fresh air intake	m <sup>2</sup>	0.03	0.06	0.09	0.12	0.15	0.18	0.21	0.24	0.27	0.3



The exhaust duct diameter must not be reduced.

**Exhaust dimensioning**

*Note! The exhaust duct diameter must not be reduced.*

It is important that the machine has correct air volume compared to each machines power.

If the air flow is smaller or larger this will result in a longer drying period.

If the outlet pipe is long or the ventilation is not properly designed we recommend to clean the outlet pipes periodically. Usually, longer ducts need more frequent cleaning.

The exhaust pipes shall be short in order for the machine to work in the best way.

All cover panels must be mounted in order for the machine to work in the best way.