



ROTARY RACK OVEN

Model: C100MA

Article no: L20022

Power supply: 400V 3Ph ~50Hz

The C100MA is a roll-in rotating rack oven with compact design and high capacity. It is a quiet, energy-efficient and compact oven with high flexibility and designed to fit into small spaces. The rack oven has a max baking temperature of 300°C and bakes even all over the rack creating the perfect baking result. It has integrated high capacity steam system that gives a smooth, crisp crust and for some bread a significantly increased volume.

This model has room for one rack and the oven's smart control panel, and well-conceived design makes it very user-friendly. It has automatic rotation stop, which facilitates unloading, as the rack is always correctly positioned to the door when the oven is open. The spring-loaded door hinges keep the door open during loading and unloading.

Separable and replaceable drainage box makes it possible to change the drainage from the front to the back of the oven. The right-hand hinged insulated door has double glazed window and doorstop. Heating package integrated into the top section –Requires a smaller floor space.

Suspension hook is included in the delivery.

MAIN FEATURES

- Equipped with the Increased Baking Surface (IBS)
- Built to comply with USPH
- SD Touch II Panel
- User-friendly touch panel with a high-resolution screen
- Efficient insulation -retains the heat inside the oven
- Strong, stainless steel interior och exterior
- Integrated high capacity steam system
- Easy to open
- High efficiency, low heating cost

C100MA, L20022
22-01-24 (14:03)

Subject to change without notice
For correct installation, refer to the installation manual

TECHNICAL DATA

C100MA, L20022, 22-01-24 (14:03)

Model Number Specific	C100MA
Voltage (V)	400
Phase	3
Frequency (Hz)	50
Loading (kW)	40
Fuse (A)	63
IP Class	41
Width, net (mm)	1335
Depth, net (mm)	1584
Height, net (mm)	2330
Weight, net (kg)	990
Weight, gross (kg)	1150
Volume, net (m3)	4,93
Volume, gross (m3)	6,41
Installation, type	Floor model
Noise level <(dB)	70
Oven, type	Baking
Temperature, max (°C)	300
Water pressure, max (Bar)	6
Water pressure, min (Bar)	4

INCLUDED IN DELIVERY

Suspension hook is included in the delivery.

Loipart AB (HQ), **Sweden**
Tel. +46 313 920 100, loipart@loipart.se

LMG Finland oy, **Finland**
+358 40 664 6680, lmg@lmg.fi

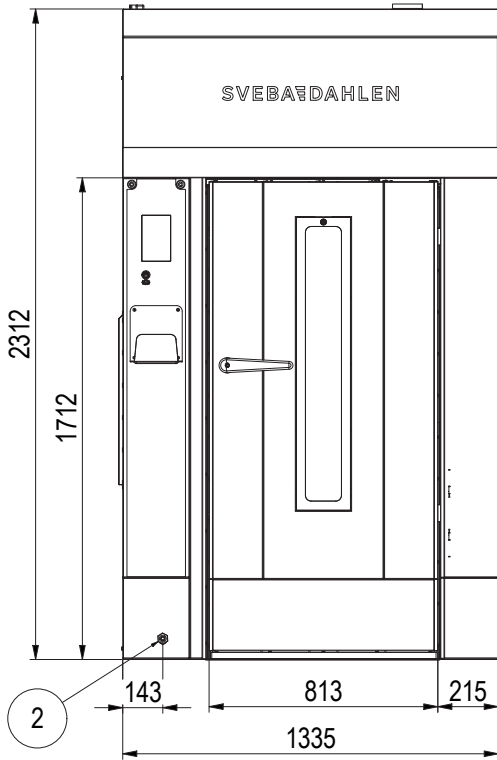


Loipart USA inc, **USA**
Tel. +1 954 530 5276, loipartusa@loipart.com

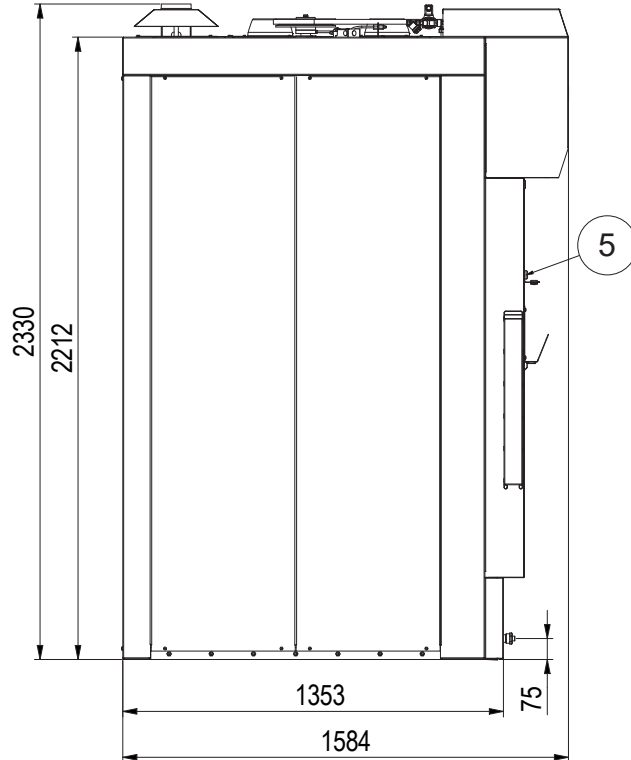
Loipart SEA Pte Ltd, **Singapore**
Tel. +65 674 99 100, contact@loipart.sg

Visit us at www.loipart.com

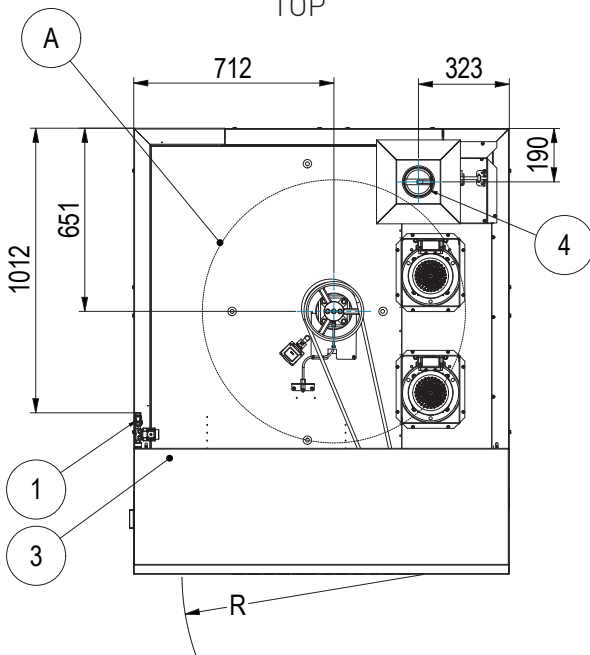
FRONT



SIDE



TOP



- 1. Water connection
- 2. Condensation drain
- 3. Cable inlet
- 4. Damper connection \varnothing 102mm
- 5. USB connection point

- A. Max. rack diagonal
- R. Door swing radius 860mm

Max. rack height - Cradle 1585mm
 Max. rack height - Hook 1640mm

