



## **RICE COOKER (SFRC-162F) 15 KG**

**Model: 504046**

**Article no: L12038**

**Power supply: 440V 3Ph ~60Hz**

Electric automatic rice cooker with a cooking capacity of 15 kg is a powerful and full-featured cooker designed and built for commercial use. The cooker has an exterior of stainless steel sheet, completely insulated with 25 mm thick glass wool. The interior is made of aluminum-plated steel. The door is insulated with 25 mm thick glass-wool and provided with a heat-resistant handle.

The cooker with a highly efficient, powerful element is equipped with a thermistor. The thermistor uses the steam-catching method to sense the preset temperature of steam coming from the pan and automatically turns the heater off instantly. A cooking adjusting switch provides fine condition adjustment to cooking to obtain rice of the desired quality. After 15 minutes of steaming at the end of the cooking cycle, a buzzer sounds indicate that the rice is ready to eat. The cooker is equipped with a drawer-type rice pan that can be pulled out smoothly without putting one's hand into the hot area. A round aluminum-finish rice pan complete with a lid is delivered with each deck of the cooker.

### **MAIN FEATURES**

- Stainless Steel Exterior
- Fast and Reliable
- Powerful
- Rice Settling Indication
- Precise Steam Temperature Control
- Functional Safety Drawer
- Three Sizes
- Easy to Maintain

504046, L12038  
18-01-24 (17:09)

## TECHNICAL DATA

504046, L12038, 18-01-24 (17:09)

|                              |        |
|------------------------------|--------|
| <b>Model Number Specific</b> | 504046 |
| <b>Voltage (V)</b>           | 440    |
| <b>Phase</b>                 | 3      |
| <b>Frequency (Hz)</b>        | 60     |
| <b>Loading (kW)</b>          | 16,2   |
| <b>IP Class</b>              | 21     |
| <b>Capacity (kg)</b>         | 15     |
| <b>Width, net (mm)</b>       | 750    |
| <b>Depth, net (mm)</b>       | 600    |
| <b>Height, net (mm)</b>      | 1351   |
| <b>Weight, net (kg)</b>      | 180    |
| <b>Weight, gross (kg)</b>    | 200    |
| <b>Volume, net (m3)</b>      | 1,05   |
| <b>Volume, gross (m3)</b>    | 1,37   |
| <b>USPH</b>                  | Yes    |

Loipart AB (HQ), **Sweden**  
Tel. +46 313 920 100, loipart@loipart.se

LMG Finland oy, **Finland**  
+358 40 664 6680, lmg@lmg.fi

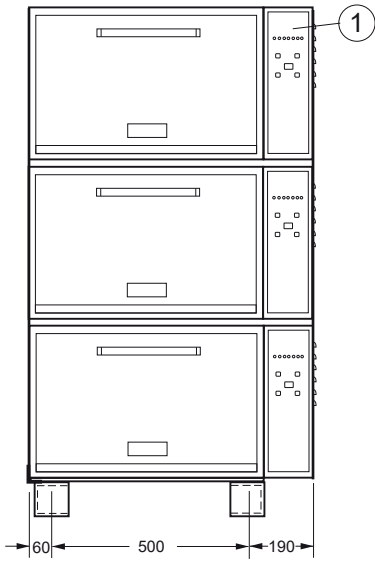


Loipart USA inc, **USA**  
Tel. +1 954 530 5276, loipartusa@loipart.com

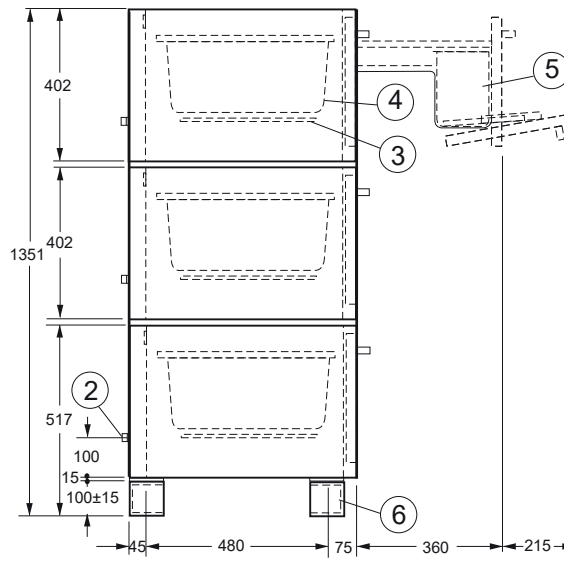
Loipart SEA Pte Ltd, **Singapore**  
Tel. +65 674 99 100, contact@loipart.sg

Visit us at [www.loipart.com](http://www.loipart.com)

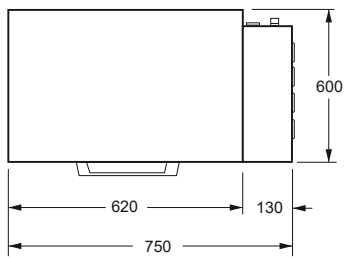
FRONT



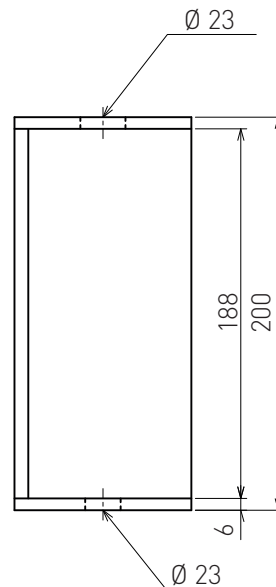
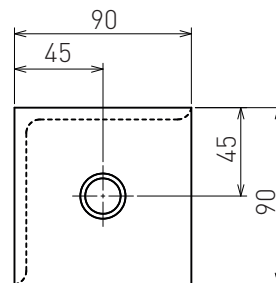
SIDE



TOP



DETAIL MARINE FOOT



- 1. Control panel
- 2. Electrical connection
- 3. Heater
- 4. Cooking pan
- 5. Drawer unit
- 6. Marine legs