



REFRIGERATOR, GLASS DOOR 670L, +2+10 C, R290

Model: REX71G0M

Article no: 725229

Power supply: 230V 1Ph ~50Hz

Full glass door refrigerator with internal and external structure in 304 AISI stainless steel; outer back panel in galvanized steel and bottom panel in anti-corrosive material.

The cabinet has a digital control with temperature display and setting and manual activation of defrost cycle. Fully compliant HACCP digital controls include visible alarms.

The refrigerator has an optimized back-to-front forced airflow that provides even temperature distribution and fast cooling in any condition. It is fitted with 75 mm-thick cyclopentane insulating foam.

The model has a reversible door with a lock and door microswitch to stop the fan when the door is opened. The internal structure offers numerous charging positions available to host grids, ensuring higher net capacity and greater storage space.

MAIN FEATURES

- Operating temperature from +2 to +10 °C
- Digital control with cabinet temperature display
- Setting and manual activation of defrost cycle
- For ambient temperatures up to 43°C
- Large storage area suitable to contain 2/1 GN grids
- Shelves on anti-tilt runners
- Optimised back to front forced air flow
- Even temperature distribution and fast cooling in
- Automatic defrost

REX71G0M, 725229

05-02-24 (13:07)

Model Number Specific	REX71G0M
Voltage (V)	230
Phase	1
Frequency (Hz)	50
Loading (kW)	0,23
Fuse (A)	10
IP Class	21
Width, net (mm)	710
Depth, net (mm)	835
Height, net (mm)	2090
Weight, net (kg)	106
Weight, gross (kg)	122
Volume, net (m3)	1,24
Volume, gross (m3)	1,61
Energy Class	E
Connection Cable, length (m)	3
Plug type	Schuko
Adapted for container sizes	GN
Ambient temperature, max (°C)	43
Automatic defrost	Yes
Basket sizes	GN2/1
Certifications	CE
Condensor type	Air cooled
Cooling capacity (W)	414
Cooling fan	Yes
Door Hanging	Right
Door, type	Glass
Doors, qty (pcs)	1
Exterior	Stainless steel
Filling factor refrigerant (g)	75
Grids, qty (pcs)	3
Installation, type	Floor model
Locking device, included	Yes
Marine feet	Yes

Noise level <(dB)	70
Other general information	Yearly and daily energy consumption: 1215kWh/year - 3kWh/24h. Climate class: Normal Duty (4) Energy Efficiency Index (EEI): 84,65
Refrigerant type	R290
Volume, refrigerator (L)	670

INCLUDED IN DELIVERY

Supplied with 3x2/1GN Rilsan coated grids and three sets of 2 stainless steel grid runners.

Loipart AB (HQ), **Sweden**
Tel. +46 313 920 100, loipart@loipart.se

LMG Finland oy, **Finland**
+358 40 664 6680, lmg@lmg.fi



Loipart USA inc, **USA**
Tel. +1 954 530 5276, loipartusa@loipart.com

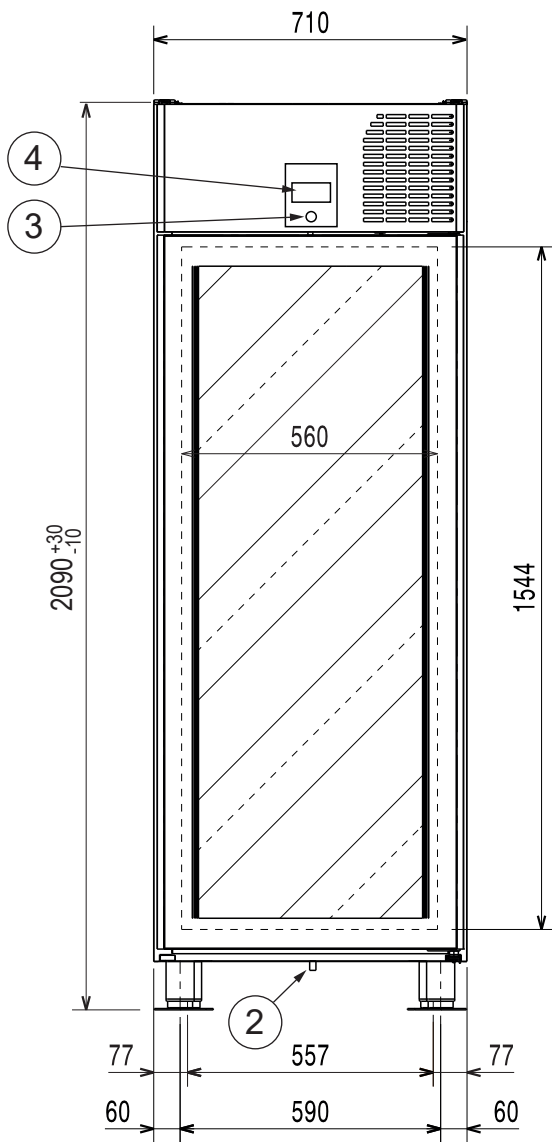
Loipart SEA Pte Ltd, **Singapore**
Tel. +65 674 99 100, contact@loipart.sg

Visit us at www.loipart.com

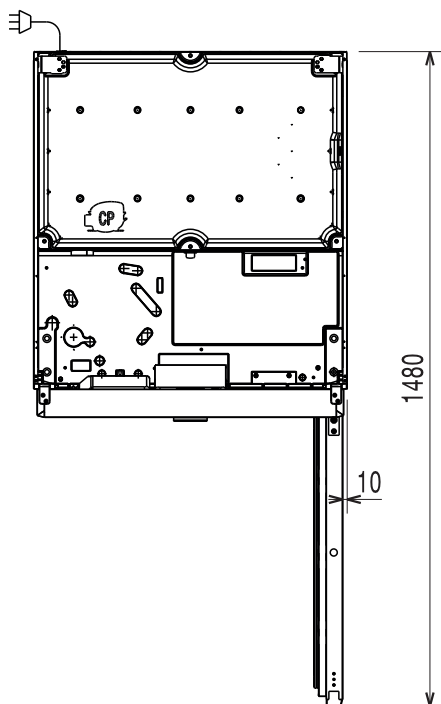
DIMENSIONS

Model: REX71G0M Rev. 1

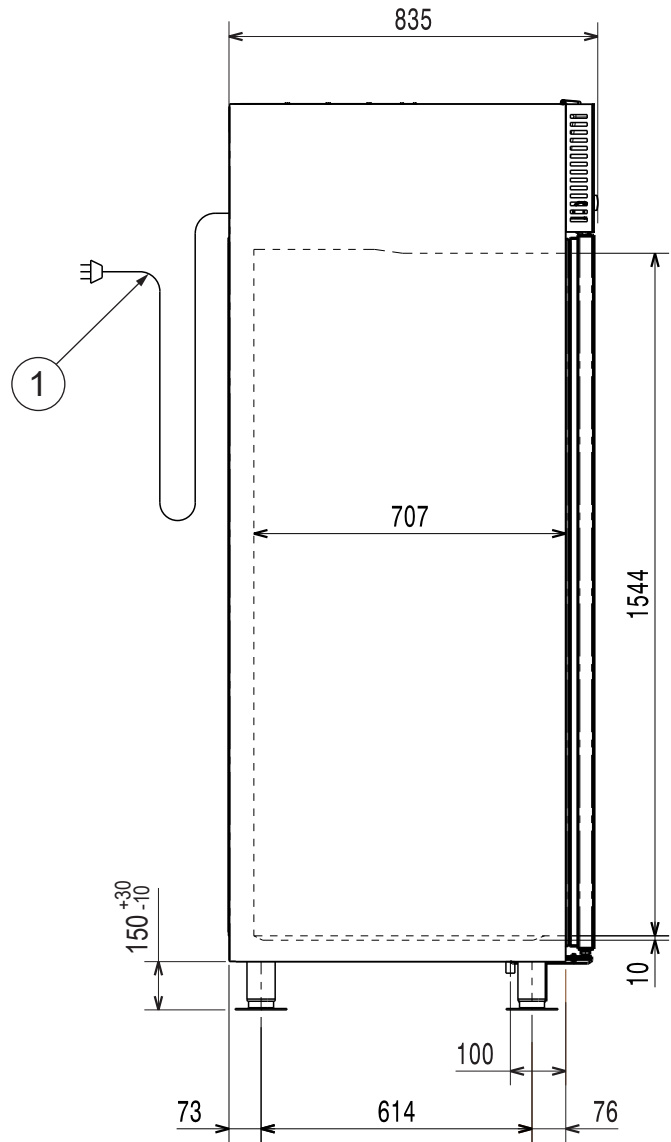
FRONT



TOP



SIDE

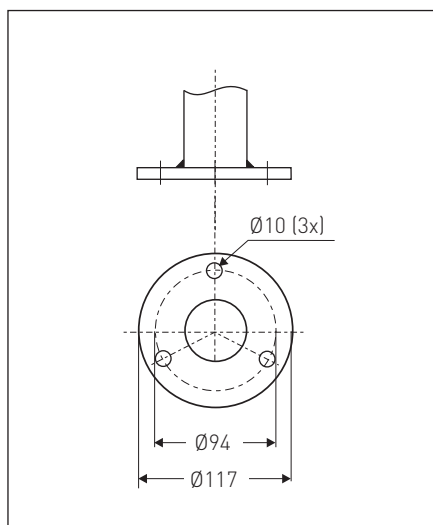


1. Electrical connection, 3 m cord with Schuko plug.
2. Compartment drain hole \varnothing 17.5 mm.
3. Door lock.
4. Control panel, see manual for more info.

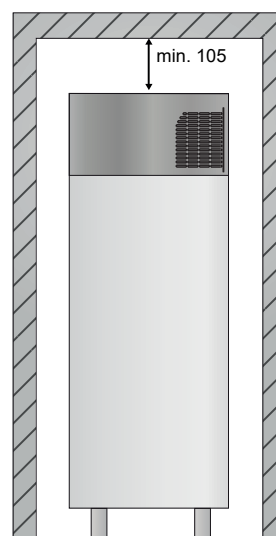
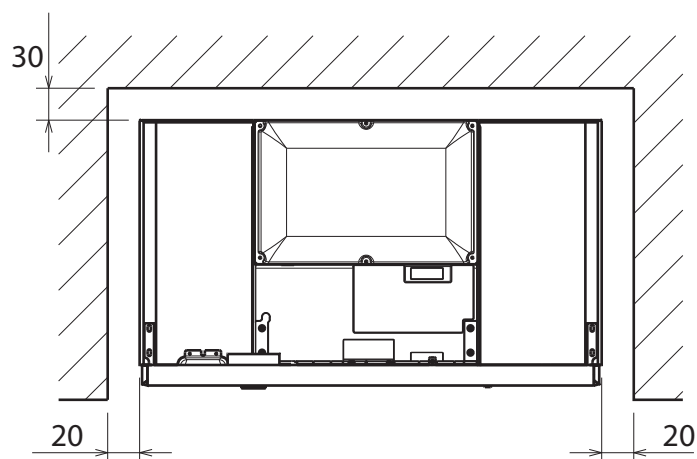
DIMENSIONS

Model: REX-series refrigerators with frontal ventilation grid Rev. 1

DETAIL OF MARINE FOOT



POSITIONING



MARINE INSTALLATION

The appliance must be levelled; otherwise its operation could be affected. Adjust the height and level by means of the levelling feet, checking that the door opens and closes properly.

NOTE! For additional instructions of installation please see separate Installation instructions.