



## REFRIGERATOR/FREEZER, BUILT-IN TYPE 220 L

Model: C220DP

Article no: L22010

Power supply: 230V 1Ph ~50/60Hz

This is a domestic-type refrigerator to be built-in a cupboard with an outer door and handle that matches the rest of the interior (outer door and handle are not included).

The two-door domestic refrigerator/freezer is rated A+ for energy efficiency and has an estimated energy consumption of 217 kWh per year. The fridge has a 176 L capacity and includes a salad crisper, internal light, three glass shelves, and three inner door shelves, one of which is a bottle shelf.

The four-star freezer section boasts a 44 L capacity located at the top of the fridge. Other features include auto defrost, built-in antibacterial protection, and reversible left- or right-hand opening doors.

Rear and front brackets are included in the delivery—no lock on the doors.

### MAIN FEATURES

- Domestic Type Refrigerators
- CFC-Free Refrigeration System And Insulation
- 44 L Freezer Compartment
- Automatic Defrosting Of
- Refrigeration Compartment
- Adjustable Interior Shelves
- Easy To Maintain

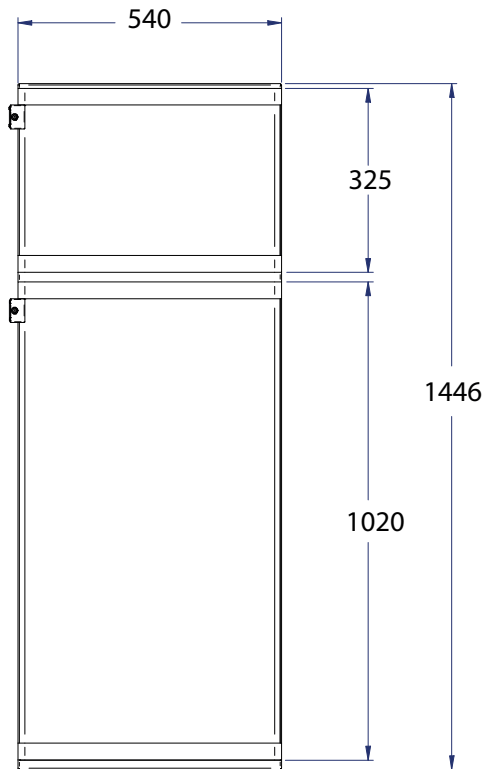
C220DP, L22010  
12-02-24 (12:22)

<b>Model Number Specific</b>	C220DP
<b>Voltage (V)</b>	230
<b>Phase</b>	1
<b>Frequency (Hz)</b>	50/60
<b>Loading (kW)</b>	0,56
<b>Width, net (mm)</b>	540
<b>Depth, net (mm)</b>	500
<b>Height, net (mm)</b>	1445
<b>Weight, net (kg)</b>	43,5
<b>Weight, gross (kg)</b>	46
<b>Volume, net (m3)</b>	0,43
<b>Volume, gross (m3)</b>	0,56
<b>Connection Cable, length (m)</b>	1,2
<b>Plug type</b>	Schuko
<b>Door Hanging</b>	Right
<b>Door, type</b>	White
<b>Doors, qty (pcs)</b>	2
<b>Filling factor refrigerant (g)</b>	45
<b>Locking device, included</b>	Yes
<b>Noise level &lt;(dB)</b>	40
<b>Refrigerant type</b>	R290
<b>Volume, freezer (L)</b>	44
<b>Volume, refrigerator (L)</b>	166

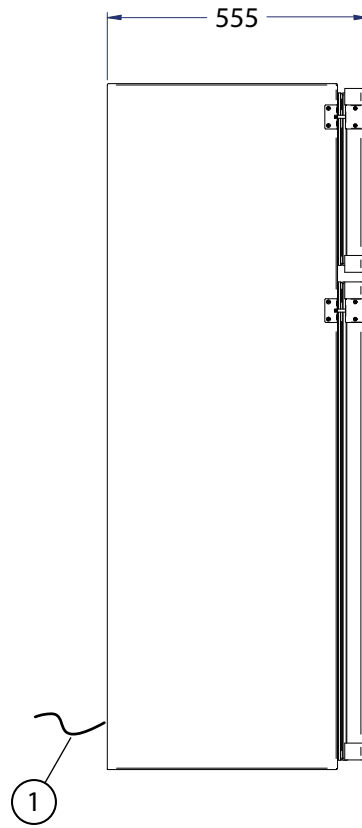
# DIMENSIONS

Model: C220DP Rev. 2

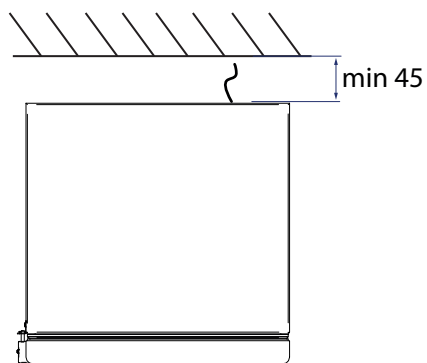
FRONT



SIDE



BACK



1. Electric cord with schuko plug 1,2m.

# BUILT-IN INSTALLATION

Model: C220DP Rev. 1

