



REFRIGERATOR/FREEZER 98+17L, R600A

Model: C115R-L

Article no: L22097

Power supply: 230V 1Ph ~50/60Hz

This freestanding or built-in refrigerator with an internal cooling unit is suitable for all fresh and frozen food products in all shipboard installations.

The refrigerator is equipped with a reversible hinge type and delivered with a door for right or left-hand hanging. The interior is fitted with two adjustable storage shelves and one glass shelf.

The model has a white enameled housing and is delivered with a lockable door with magnetic closure.

MAIN FEATURES

- Domestic type refrigerator
- Cfc-free refrigeration system and insulation
- 17 L freezer compartment
- Manual defrosting
- Adjustable interior grid shelves
- Easy to maintenance
- Internal light
- Magnetic closure

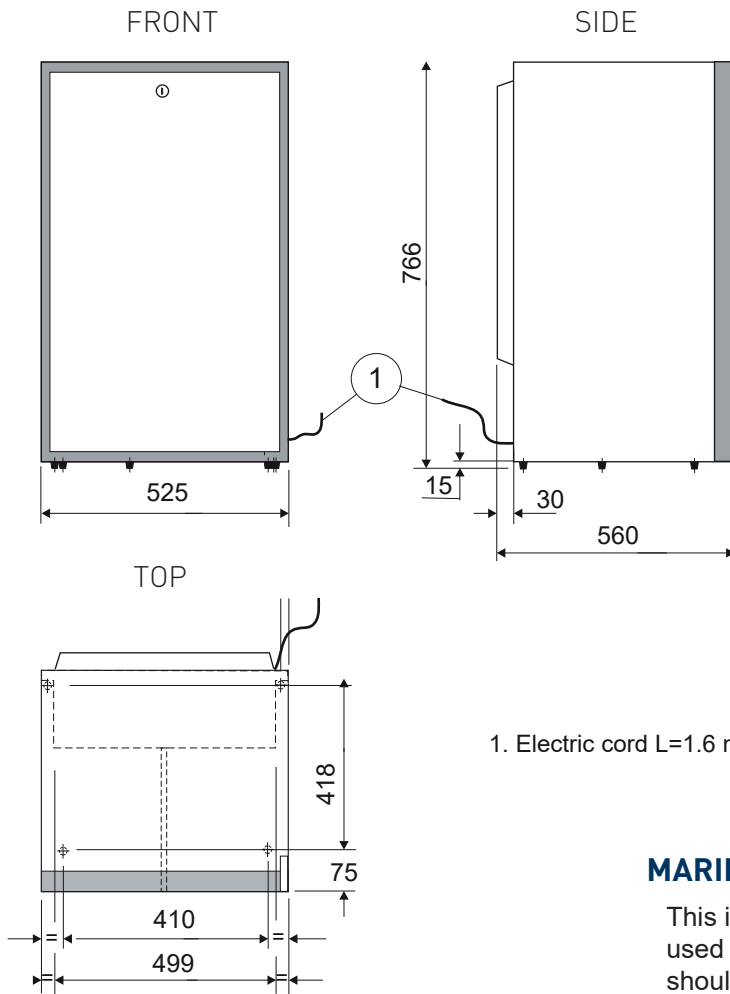
C115R-L, L22097
12-02-24 (12:22)

Model Number Specific	C115R-L
Voltage (V)	230
Phase	1
Frequency (Hz)	50/60
Loading (kW)	0,1
Max Amps in Phase (A)	0,5
IP Class	22
Width, net (mm)	525
Depth, net (mm)	560
Height, net (mm)	766
Weight, net (kg)	34
Weight, gross (kg)	38
Volume, net (m3)	0,22
Volume, gross (m3)	0,29
Connection Cable, length (m)	1,9
Plug type	Schuko
Certifications	CE
Door Hanging	Right
Door, type	Colored
Exterior	Colored
Filling factor refrigerant (g)	20
Installation, type	Table top model, Floor model
Locking device, included	Yes
Refrigerant type	R600a
Remote cooling	No
Volume, freezer (L)	17
Volume, refrigerator (L)	98

INCLUDED IN DELIVERY

One frontal bracket and one rear bracket are a part of the delivery.

DIMENSIONS



VITRIFRIGO C115



117 kWh/annum

17 L

98 L

33 dB
A B C D

91020102

1. Electric cord L=1.6 m with plug

MARINE INSTALLATION

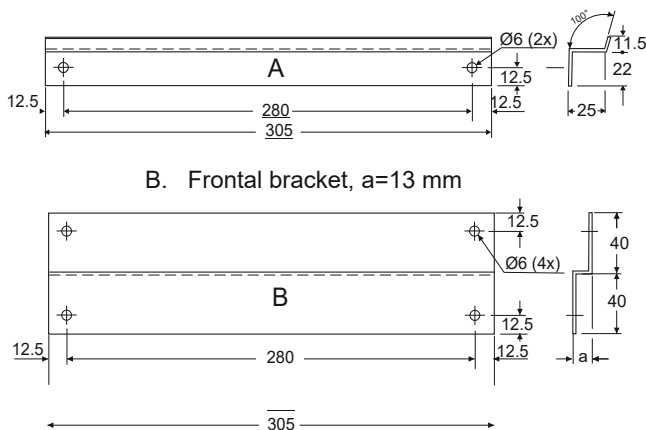
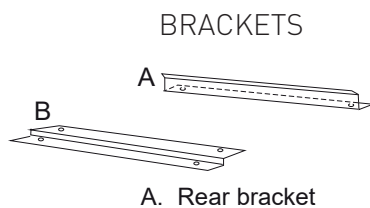
This is a domestic type refrigerator. The unit can be used freestanding or built-in, and the large models should be secured from moving with the brackets A and B acc. the separate Installation instruction (a part of delivery) or acc. to the instruction for shipboard installation.

Electrical

The unit is delivered with a 1.6 m long earthed 3-wire cord provided with an earthed plug. The plug is to be replaced if necessary to follow ships code.

Installation – building-in.

Good air circulation is absolutely essential for a built-in refrigerator. The ventilation air passage above and under should be at least 300 cm² in cross- section.



INSTALLATION EXAMPLES

