



REFRIGERATOR 60 L

Model: C60i

Article no: VITC60IR230

Power supply: 230V 1Ph ~50/60Hz

This C60i refrigerator/freezer can be a freestanding or built-in refrigerator, and it is suitable for all fresh and frozen food products in all shipboard installations. It is provided with an internal cooling unit.

The refrigerator is equipped with a reversible hinge and a lockable door with magnetic closure. The interior is equipped with one adjustable storage shelf.

MAIN FEATURES

- Domestic type refrigerator
- Cfc-free refrigeration system and insulation
- 10L freezer compartment
- Manual defrosting
- Adjustable interior grid shelves
- Easy to maintenance
- Internal light
- Magnetic closure

C60i, VITC60IR230

05-02-24 (13:14)

TECHNICAL DATA

C60i, VITC60IR230, 05-02-24 (13:14)

Model Number Specific	C60i
Voltage (V)	230
Phase	1
Frequency (Hz)	50/60
Loading (kW)	0,07
IP Class	21
Width, net (mm)	470
Depth, net (mm)	460
Height, net (mm)	615
Weight, net (kg)	20
Weight, gross (kg)	23
Volume, net (m3)	0,13
Volume, gross (m3)	0,17
Connection Cable, length (m)	1,6
Plug type	Schuko
Door Hanging	Right (is reversible)
Door, type	Colored
Exterior	Colored
Grids, qty (pcs)	2
Installation, type	Table top model, Floor model
Locking device, included	Yes
Marine feet	No
Other general information	Black housing and black door.
Refrigerant type	R134a
Volume, refrigerator (L)	60

Loipart AB (HQ), **Sweden**
Tel. +46 313 920 100, loipart@loipart.se

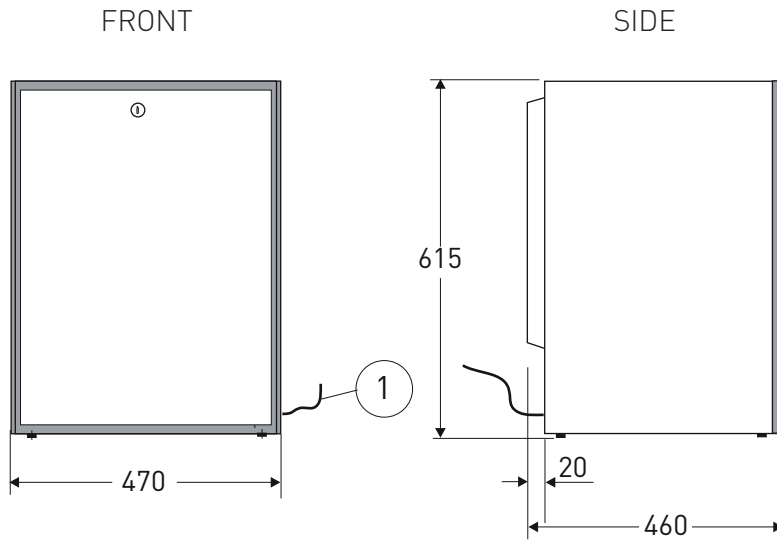
LMG Finland oy, **Finland**
+358 40 664 6680, lmg@lmg.fi



Loipart USA inc, **USA**
Tel. +1 954 530 5276, loipartusa@loipart.com

Loipart SEA Pte Ltd, **Singapore**
Tel. +65 674 99 100, contact@loipart.sg

Visit us at www.loipart.com



MARINE INSTALLATION

This is a domestic type refrigerator. The unit can be used freestanding or built-in, and the large models should be secured from moving with the brackets A and B acc. the separate Installation instruction (a part of delivery) or acc. to the instruction for shipboard installation.

Electrical

The unit is delivered with a 1.6 m long earthed 3-wire cord provided with an earthed plug. The plug is to be replaced if necessary to follow ships code.

Installation – building-in.

Good air circulation is absolutely essential for a build-in refrigerator. The ventilation air passage above and under should be at least 300 cm² in cross- section.

BRACKETS

INSTALLATION EXAMPLES

