



## REFRIGERATOR 55 L

Model: C600S-L-L

Article no: L15029

Power supply: 230V 1Ph ~50-60Hz

The C600SL is a cabin refrigerator intended for onboard use. It can be mounted freestanding or built-in with optional ventilation grills.

The model has a silent marine-type absorption cooling system and a practical interior.

The interior is equipped with two grid shelves. The door is provided with one shelf for small items and one bottom shelf intended for bottles.

The unit is provided with a reversible hinge type and delivered with a door for right or left-hand hanging. The refrigerator has black housing and door.

The refrigerator is delivered with a 1.5 m cord a standard earthed plug and easy-to-follow instructions.

### MAIN FEATURES

- Absorption type cooling
- Silent and compact
- Spacious and practical interior
- For free-standing or built-in installation
- Automatic defrosting
- With or without a lockable door

C600S-L-L, L15029

05-02-24 (13:12)

## TECHNICAL DATA

C600S-L-L, L15029, 05-02-24 (13:12)

<b>Model Number Specific</b>	C600S-L-L
<b>Voltage (V)</b>	230
<b>Phase</b>	1
<b>Frequency (Hz)</b>	50-60
<b>Loading (kW)</b>	0,1
<b>IP Class</b>	22
<b>Width, net (mm)</b>	485
<b>Depth, net (mm)</b>	530
<b>Height, net (mm)</b>	605
<b>Weight, net (kg)</b>	16
<b>Weight, gross (kg)</b>	20
<b>Volume, net (m3)</b>	0,13
<b>Volume, gross (m3)</b>	0,17
<b>Connection Cable, length (m)</b>	1,5
<b>Plug type</b>	Schuko
<b>Door Hanging</b>	Left (is reversible)
<b>Door, type</b>	Colored
<b>Doors, qty (pcs)</b>	1
<b>Exterior</b>	Colored
<b>Installation, type</b>	Table top model, Floor model
<b>Locking device, included</b>	Yes
<b>Marine feet</b>	No
<b>Volume, refrigerator (L)</b>	55

Loipart AB (HQ), **Sweden**  
Tel. +46 313 920 100, loipart@loipart.se

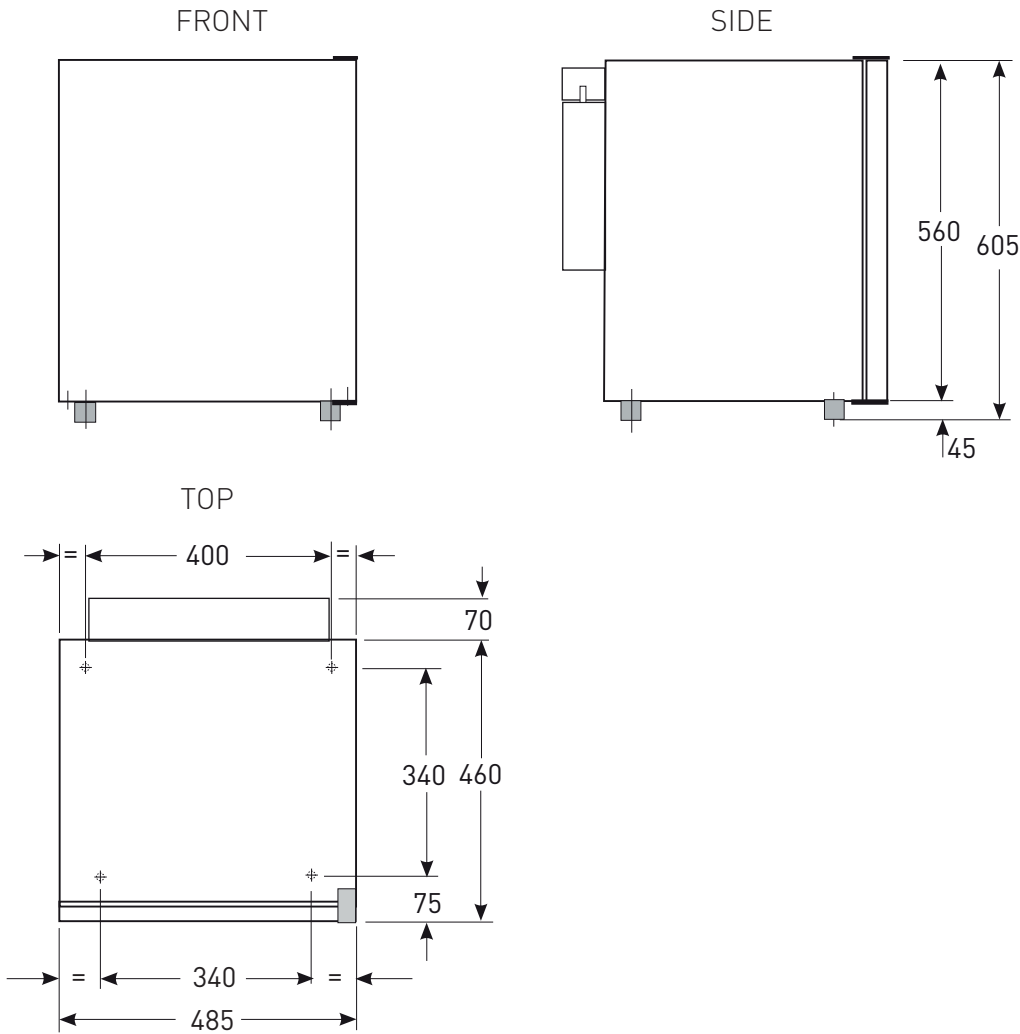
LMG Finland oy, **Finland**  
+358 40 664 6680, lmg@lmg.fi



Loipart USA inc, **USA**  
Tel. +1 954 530 5276, loipartusa@loipart.com

Loipart SEA Pte Ltd, **Singapore**  
Tel. +65 674 99 100, contact@loipart.sg

Visit us at [www.loipart.com](http://www.loipart.com)



**MARINE INSTALLATION**

The refrigerator is delivered with a 1.5 m 3-wire electric cord and earthed plug. The plug is to be replaced if necessary to follow ships code.

Good air circulation is absolutely essential for a build-in refrigerator. The ventilation air passage above and under should be at least 300 cm<sup>2</sup> in crosssection.

