



REFRIGERATOR 2 GLASS DOORS 1430 L, R290

Model: REX142GR

Article no: 727954M

Power supply: 230V 1Ph ~50Hz

Two glass doors refrigerator with large storage space that is suitable for 2/1 GN grids or shelves on anti-tilt runners. The cabinets internal structure has numerous charging positions to host the grids, ensuring higher net capacity and more storage space.

The model has a digital control, and the activation of the defrost cycle is done manually. The internal and external structure is hygienically made in 304 AISI stainless steel and fully compliant HACCP digital controls include visible alarms.

An optimized back to front forced air flow provides an even temperature distribution and fast cooling in all conditions. The operating temperature can be adjusted from -2 to +10 °C to suit different food storage requirements.

The cabinet features a 75 mm thick cyclopentane insulation for best insulating performance with 100% environmental friendly protection.

MAIN FEATURES

- Automatic defrost
- Lockable door
- CFC and HCFC-free insulation
- Self-closing doors
- Rounded internal corners and removable runners for easy cleaning

REX142GR, 727954M

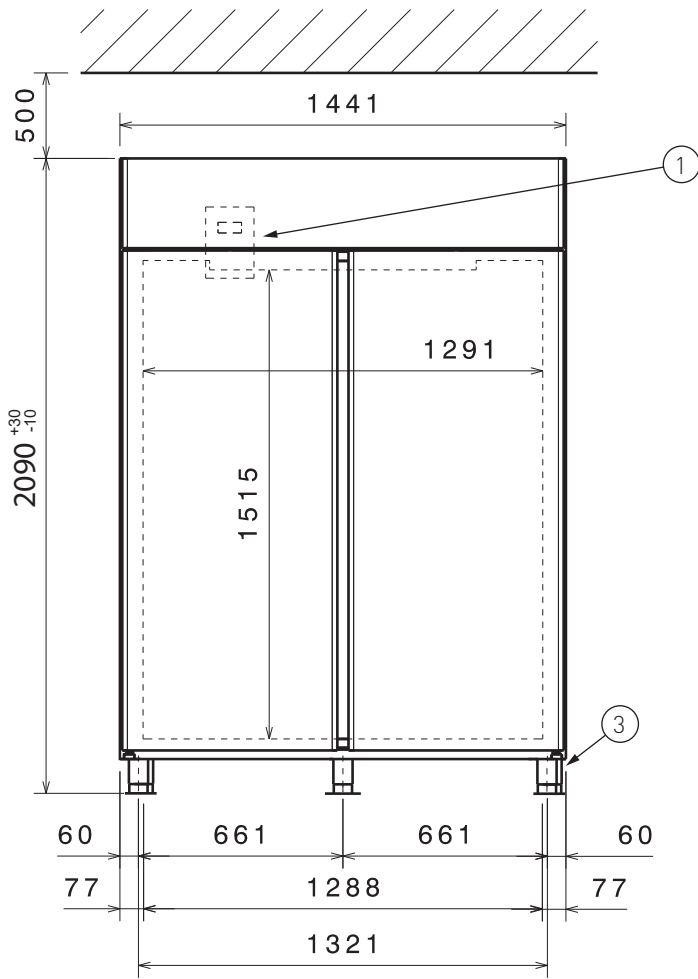
05-02-24 (13:06)

Model Number Specific	REX142GR
Voltage (V)	230
Phase	1
Frequency (Hz)	50
Loading (kW)	0,28
IP Class	21
Width, net (mm)	1441
Depth, net (mm)	835
Height, net (mm)	2090
Weight, net (kg)	178
Weight, gross (kg)	225
Volume, net (m3)	2,42
Volume, gross (m3)	3,14
Energy Class	E
Connection Cable, length (m)	3
Plug type	Schuko
Adapted for container sizes	GN
Ambient temperature, max (°C)	32
Condensor type	Air cooled
Cooling capacity (W)	395
Cooling fan	Yes
Door, type	Glass
Doors, qty (pcs)	2
Exterior	Stainless steel
Locking device, included	Yes
Marine feet	Yes
Noise level <(dB)	70
Refrigerant type	R290
Volume, refrigerator (L)	1430

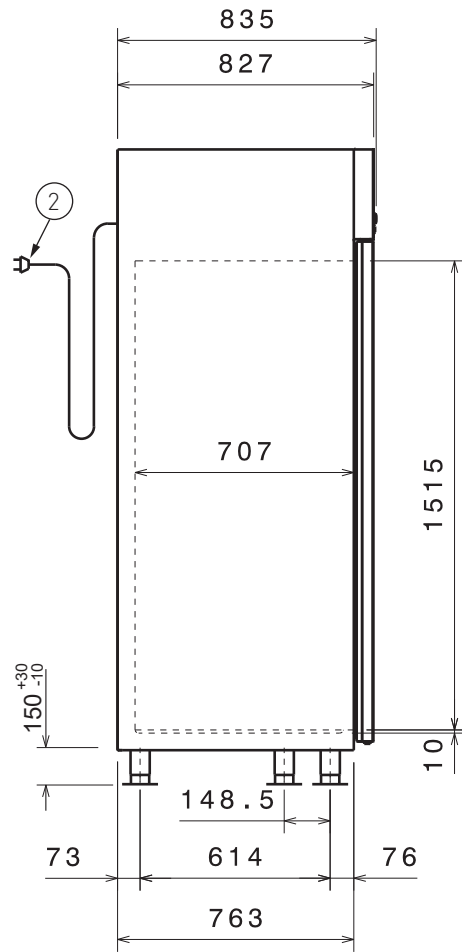
DIMENSIONS

Model: REX142FF Rev. 2
REX142FR
REX142GR
REX142FFH

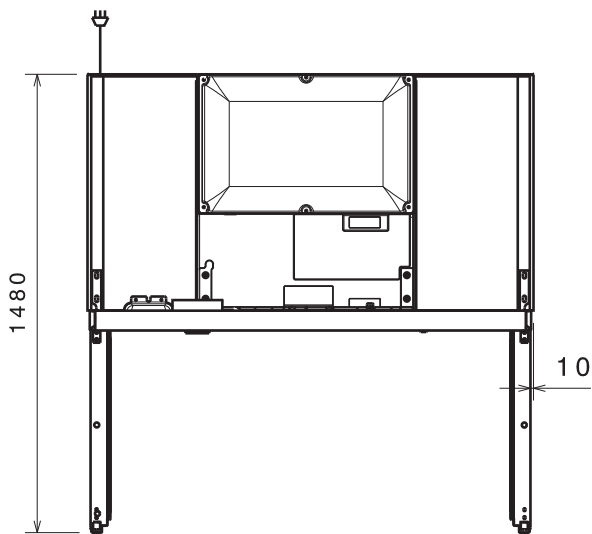
FRONT



SIDE

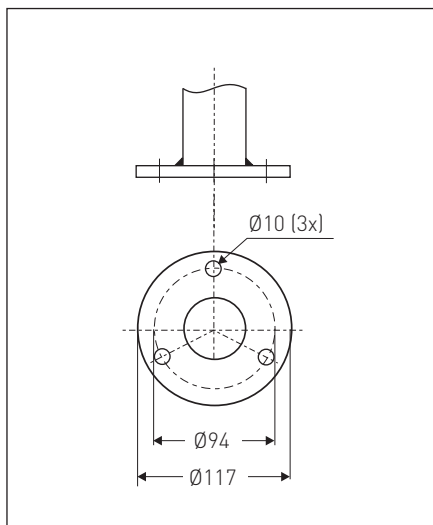


TOP

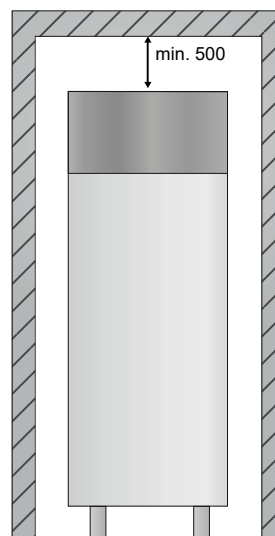
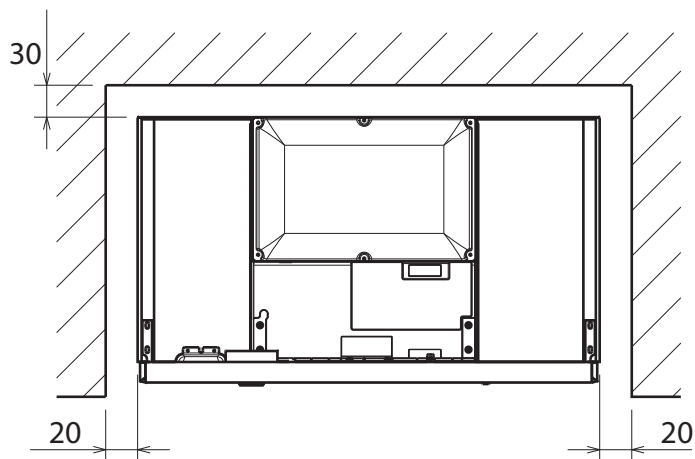


- 1. Control panel, see manual for more info
- 2. Electrical connection
- 3. Marine foot

DETAIL OF MARINE FOOT



POSITIONING



MARINE INSTALLATION

The appliance must be levelled; otherwise its operation could be affected. Adjust the height and level by means of the levelling feet, checking that the door opens and closes properly.

NOTE! For additional instructions of installation please see separate Installation instructions.