



REFRIGERATOR 1430L, 2-GLASS DOORS +2+10 C, R290

Model: REX142GRM

Article no: 725232

Power supply: 230V 1Ph ~50Hz

Glass door refrigerator with internal and external structure in 304 AISI stainless steel; outer back panel in galvanized steel and bottom panel in anti-corrosive material.

The cabinet has a digital control with a temperature display and setting and manual activation of defrost cycle. Fully compliant HACCP digital controls include visible alarms.

The refrigerator has an optimized back-to-front forced airflow that provides even temperature distribution and fast cooling in any condition. It is fitted with 75 mm-thick cyclopentane insulating foam.

The model has a lock and door micro switch to stop the fan when the door is opened. The internal structure offers numerous charging positions to host grids, ensuring higher net capacity and greater storage space.

MAIN FEATURES

- Operating temperature from -2 to +10 °C
- Digital control with cabinet temperature display
- Setting and manual activation of defrost cycle
- For ambient temperatures up to 43°C
- Large storage area suitable to contain 2/1 GN grids
- Shelves on anti-tilt runners
- Optimised back-to-front forced airflow
- Even temperature distribution and fast cooling in
- Automatic defrost

REX142GRM, 725232

05-02-24 (13:06)

TECHNICAL DATA

REX142GRM, 725232, 05-02-24 (13:06)

Model Number Specific	REX142GRM
Voltage (V)	230
Phase	1
Frequency (Hz)	50
Loading (kW)	0,29
Fuse (A)	10
IP Class	21
Width, net (mm)	1441
Depth, net (mm)	835
Height, net (mm)	2090
Weight, net (kg)	2220
Weight, gross (kg)	240
Volume, net (m3)	2,51
Volume, gross (m3)	3,27
Energy Class	E
Connection Cable, length (m)	3
Plug type	Schuko
Adapted for container sizes	GN
Ambient temperature, max (°C)	43
Automatic defrost	Yes
Basket sizes	GN2/1
Certifications	CE
Condensor type	Air cooled
Cooling capacity (W)	417
Cooling fan	Yes
Door, type	Glass
Doors, qty (pcs)	2
Exterior	Stainless steel
Filling factor refrigerant (g)	115
Grids, qty (pcs)	6
Installation, type	Floor model
Locking device, included	Yes
Marine feet	Yes
Noise level <(dB)	70

Loipart AB (HQ), Sweden
Tel. +46 313 920 100, loipart@loipart.se

LMG Finland oy, Finland
+358 40 664 6680, lmg@lmg.fi



Loipart USA inc, USA
Tel. +1 954 530 5276, loipartusa@loipart.com

Loipart SEA Pte Ltd, Singapore
Tel. +65 674 99 100, contact@loipart.sg

Visit us at www.loipart.com

Other general information	Yearly and daily energy consumption: 1883kWh/year - 5kWh/24h Climate class: Light Duty (cl.3) Energy Efficiency Index (EEI): 83,25
Refrigerant type	R290
Temperature, max (°C)	10
Volume, refrigerator (L)	1430

INCLUDED IN DELIVERY

Supplied with 6x2/1GN Rilsan coated grids and six sets of S/S marine grid runners.

Loipart AB (HQ), **Sweden**
Tel. +46 313 920 100, loipart@loipart.se

LMG Finland oy, **Finland**
+358 40 664 6680, lmg@lmg.fi



Loipart USA inc. **USA**
Tel. +1 954 530 5276, loipartusa@loipart.com

Loipart SEA Pte Ltd, **Singapore**
Tel. +65 674 99 100, contact@loipart.sg

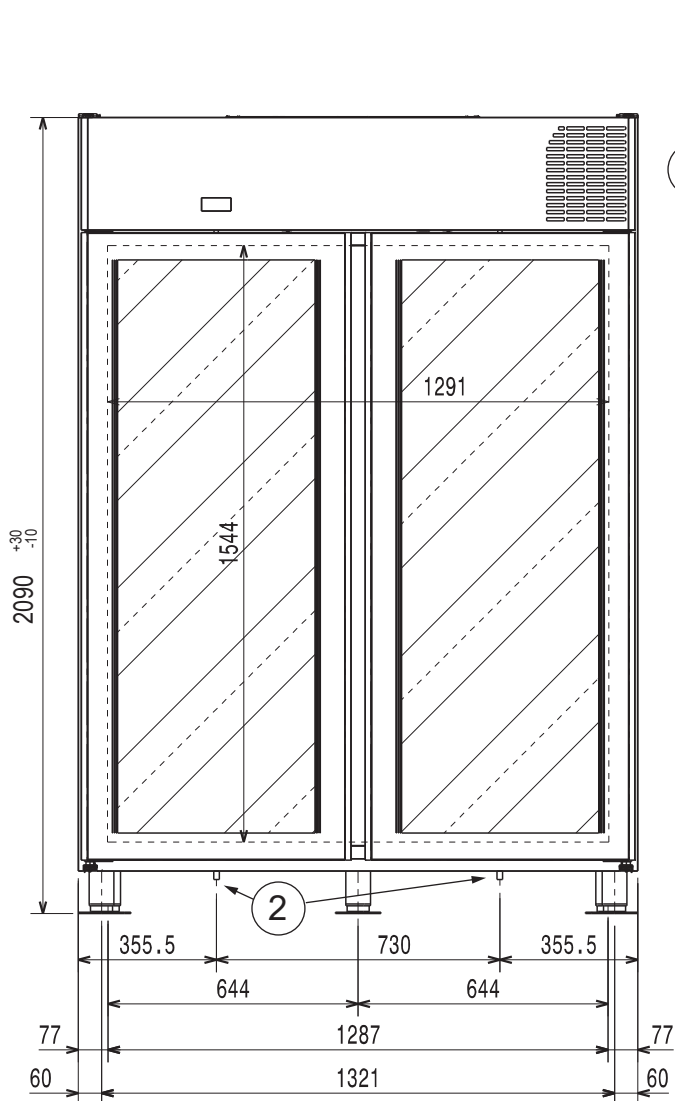
Visit us at www.loipart.com

DIMENSIONS

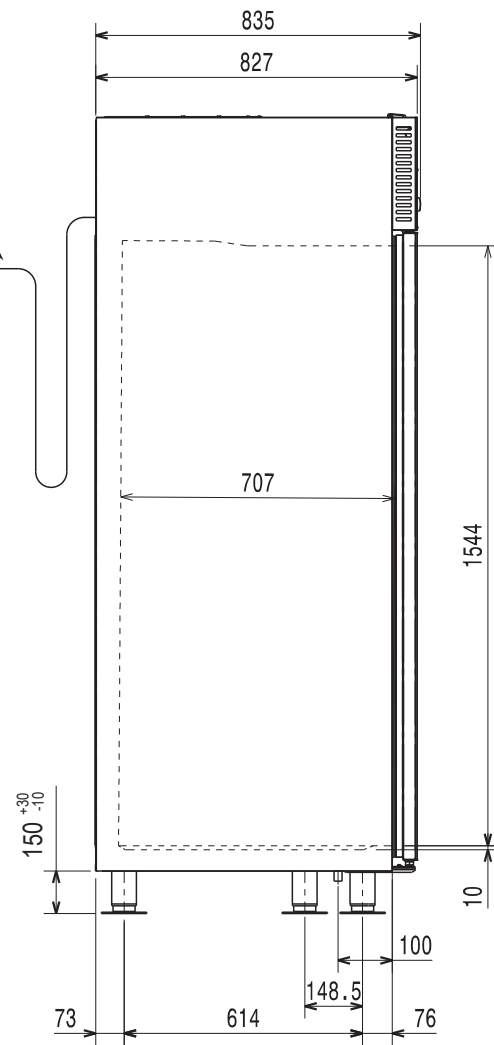
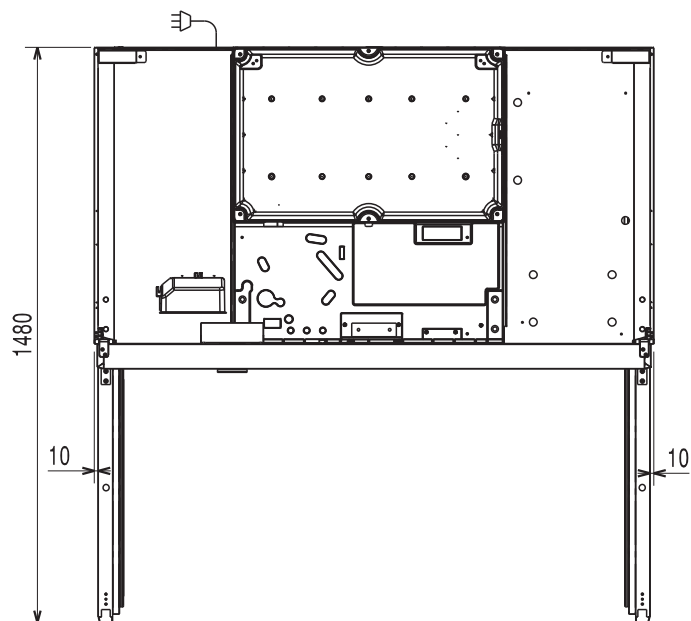
Model: REX142GRM Rev. 1

FRONT

SIDE



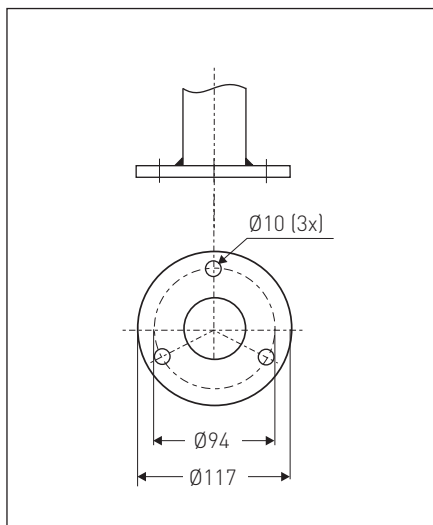
TOP



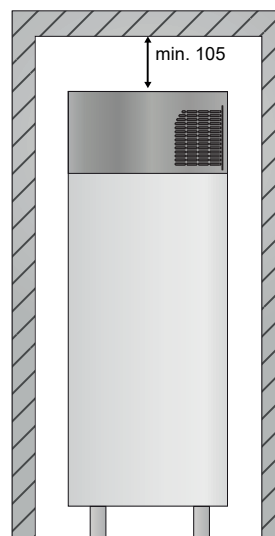
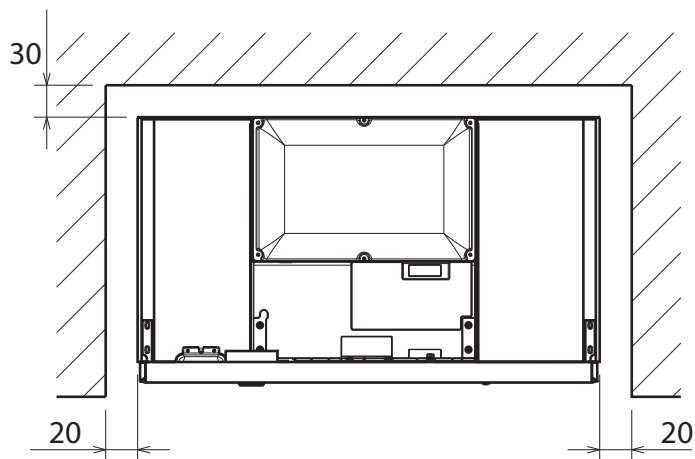
- 1. Electrical connection cable 3 m with Shuko plug
- 2. Drain hole 17,5 mm

DIMENSIONS

DETAIL OF MARINE FOOT



POSITIONING



MARINE INSTALLATION

The appliance must be levelled; otherwise its operation could be affected. Adjust the height and level by means of the levelling feet, checking that the door opens and closes properly.

NOTE! For additional instructions of installation please see separate Installation instructions.