



REFRIGERATOR 1430L, 2-DOOR -2+10 C, REMOTE COOLING

Model: REX142FRR

Article no: 725274M

Power supply: 230V 1Ph ~50/60Hz

Full door refrigerator with internal and external structure in 304 AISI stainless steel; outer back panel in galvanized steel and bottom panel in anti-corrosive material.

The cabinet has a digital control with a temperature display and setting and manual activation of defrost cycle. Fully compliant HACCP digital controls include visible alarms.

The refrigerator has an optimized back-to-front forced airflow that provides even temperature distribution and fast cooling in any condition. It is fitted with 75 mm-thick cyclopentane insulating foam.

The model has doors with a lock and door micro switch to stop the fan when the door is opened. The internal structure offers numerous charging positions to host grids, ensuring higher net capacity and greater storage space.

MAIN FEATURES

- Operating temperature from -2 to +10 °C
- Digital control with cabinet temperature display
- Setting and manual activation of defrost cycle
- For ambient temperatures up to 43°C
- Large storage area suitable to contain 2/1 GN grids
- Shelves on anti-tilt runners
- Optimised back-to-front forced airflow
- Even temperature distribution and fast cooling in
- Automatic defrost

REX142FRR, 725274M

05-02-24 (13:06)

Subject to change without notice
For correct installation, refer to the installation manual

Model Number Specific	REX142FRR
Voltage (V)	230
Phase	1
Frequency (Hz)	50/60
Loading (kW)	0,15
Width, net (mm)	1441
Depth, net (mm)	835
Height, net (mm)	2025
Weight, net (kg)	185
Weight, gross (kg)	195
Volume, net (m3)	2,44
Volume, gross (m3)	3,17
Connection Cable, length (m)	3
Plug type	Schuko
Adapted for container sizes	GN
Ambient temperature, max (°C)	43
Automatic defrost	Yes
Basket sizes	GN2/1
Cooling capacity (W)	438
Cooling fan	Yes
Installation, type	Floor model
Marine feet	Yes
Noise level <(dB)	70
Remote cooling	Yes
Temperature, max (°C)	10
Volume, refrigerator (L)	1430

INCLUDED IN DELIVERY

Supplied with 6x2/1GN Rilsan coated grids and six sets of S/S marine grid runners.

Loipart AB (HQ), **Sweden**
Tel. +46 313 920 100, loipart@loipart.se

LMG Finland oy, **Finland**
+358 40 664 6680, lmg@lmg.fi



Loipart USA inc, **USA**
Tel. +1 954 530 5276, loipartusa@loipart.com

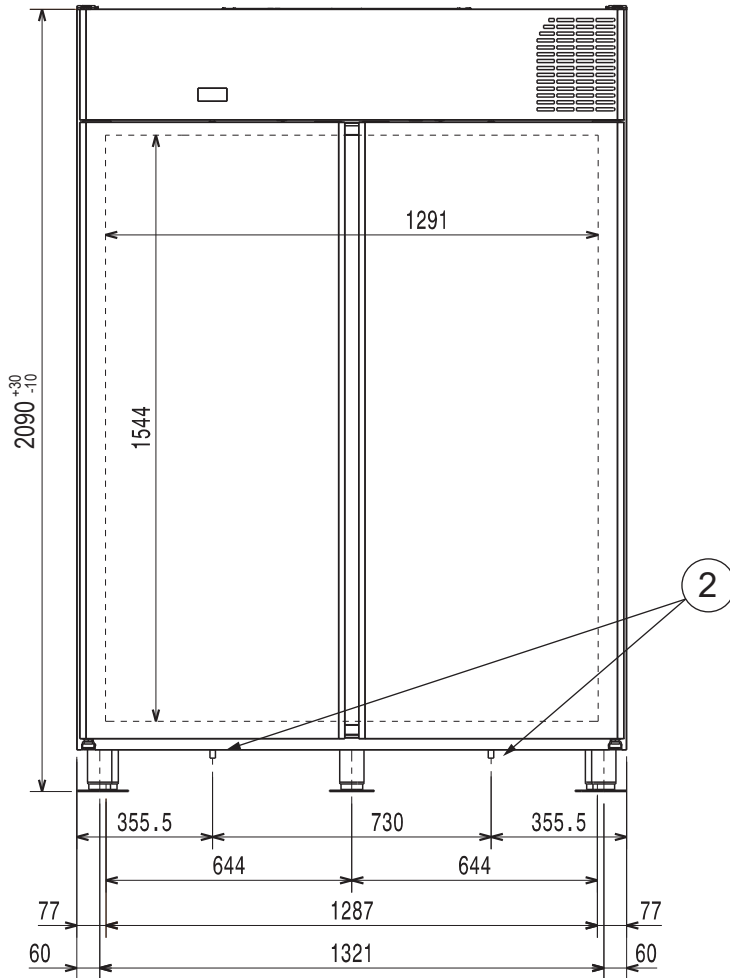
Loipart SEA Pte Ltd, **Singapore**
Tel. +65 674 99 100, contact@loipart.sg

Visit us at www.loipart.com

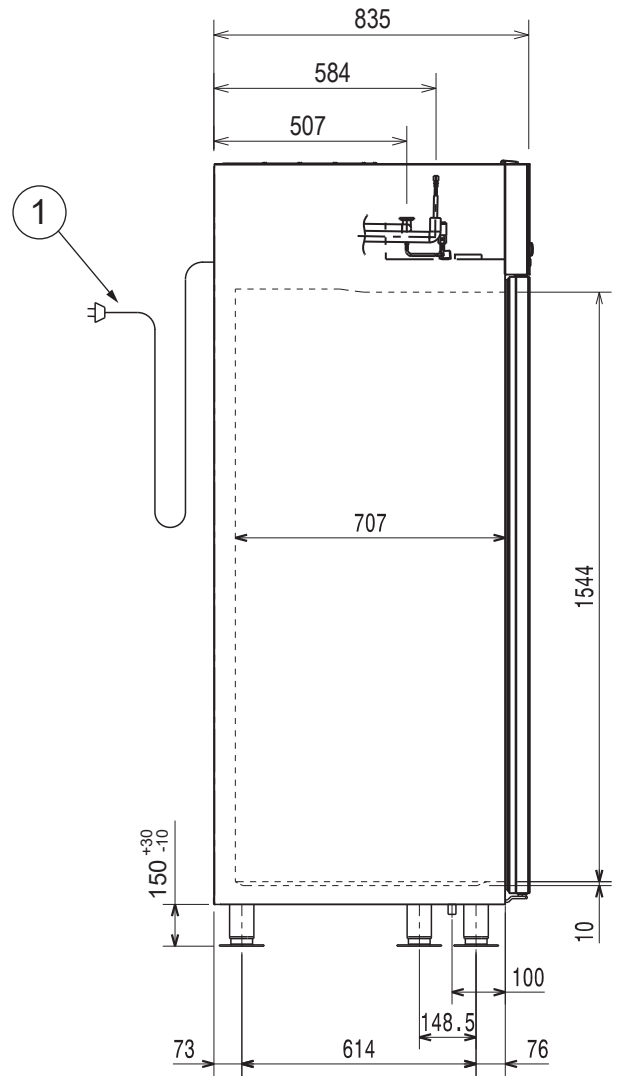
DIMENSIONS

Model: REX142FRR Rev. 1

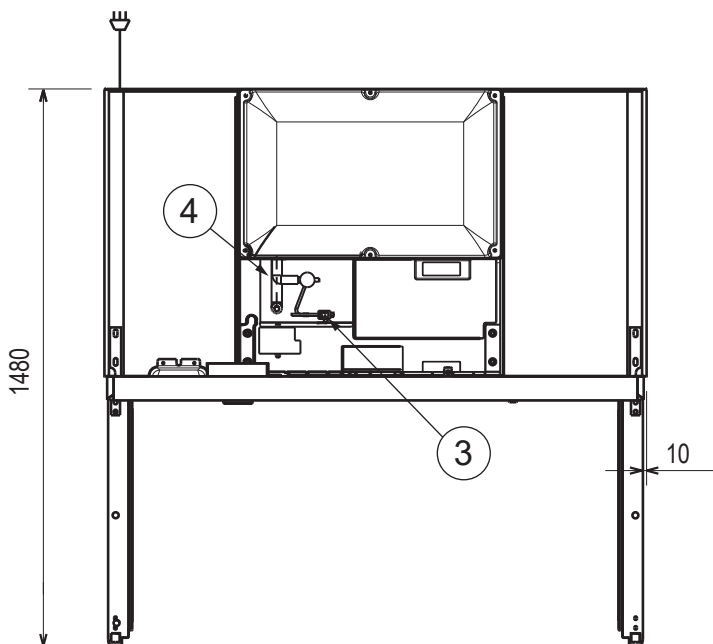
FRONT



SIDE



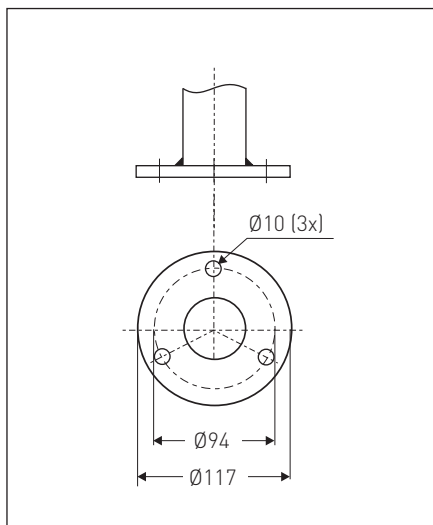
TOP



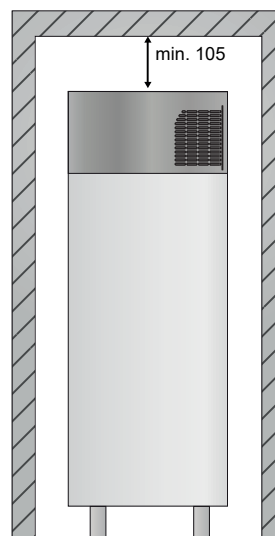
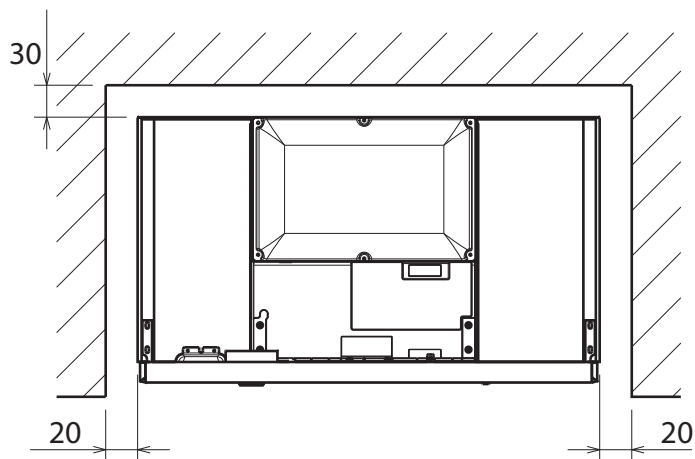
1. Electrical connection cable 3 m with Schuko plug
2. Drain hole 17,5 mm
3. Refrigerant connection pipe Inlet ø 6 mm (ext)
4. Refrigerant connection pipe Outlet ø 9,5 mm (ext)

DIMENSIONS

DETAIL OF MARINE FOOT



POSITIONING



MARINE INSTALLATION

The appliance must be levelled; otherwise its operation could be affected. Adjust the height and level by means of the levelling feet, checking that the door opens and closes properly.

NOTE! For additional instructions of installation please see separate Installation instructions.