



REFRIGERATOR 1430L, 2-DOOR -2+10 C, R290

Model: REX142FRM

Article no: 725228

Power supply: 230V 1Ph ~50Hz

Full door refrigerator with internal and external structure in 304 AISI stainless steel; outer back panel in galvanized steel and bottom panel in anti-corrosive material.

The cabinet has a digital control with a temperature display and setting and manual activation of defrost cycle. Fully compliant HACCP digital controls include visible alarms.

The refrigerator has an optimized back-to-front forced airflow that provides even temperature distribution and fast cooling in any condition. It is fitted with 75 mm-thick cyclopentane insulating foam.

The model has a reversible door with a lock and door micro switch to stop the fan when the door is opened. The internal structure offers numerous charging positions to host grids, ensuring higher net capacity and greater storage space.

MAIN FEATURES

- Operating temperature from -2 to +10 °C
- Digital control with cabinet temperature display
- Setting and manual activation of defrost cycle
- For ambient temperatures up to 43°C
- Large storage area suitable to contain 2/1 GN grids
- Shelves on anti-tilt runners
- Optimised back-to-front forced airflow
- Even temperature distribution and fast cooling in
- Automatic defrost

REX142FRM, 725228

05-02-24 (13:05)

Model Number Specific	REX142FRM
Voltage (V)	230
Phase	1
Frequency (Hz)	50
Loading (kW)	0,3
Fuse (A)	10
IP Class	21
Width, net (mm)	1441
Depth, net (mm)	837
Height, net (mm)	2090
Weight, net (kg)	210
Weight, gross (kg)	230
Volume, net (m3)	2,52
Volume, gross (m3)	3,28
Energy Class	D
Connection Cable, length (m)	3
Plug type	Schuko
Adapted for container sizes	GN
Ambient temperature, max (°C)	43
Automatic defrost	Yes
Basket sizes	GN2/1
Certifications	CE
Condensor type	Air cooled
Cooling capacity (W)	438
Cooling fan	Yes
Door, type	Stainless steel
Doors, qty (pcs)	2
Exterior	Stainless steel
Filling factor refrigerant (g)	115
Grids, qty (pcs)	6
Installation, type	Floor model
Locking device, included	Yes
Marine feet	Yes
Noise level <(dB)	70

Other general information	Yearly and daily energy consumption: 1533kWh/year - 4kWh/24h Climate class: Heavy Duty (5) Energy Efficiency Index (EEI): 67.83
Refrigerant type	R290
Temperature, max (°C)	10
Volume, refrigerator (L)	1430

INCLUDED IN DELIVERY

Supplied with 6x2/1GN Rilsan coated grids and six sets of S/S marine grid runners.

Loipart AB (HQ), **Sweden**
Tel. +46 313 920 100, loipart@loipart.se

LMG Finland oy, **Finland**
+358 40 664 6680, lmg@lmg.fi



Loipart USA inc. **USA**
Tel. +1 954 530 5276, loipartusa@loipart.com

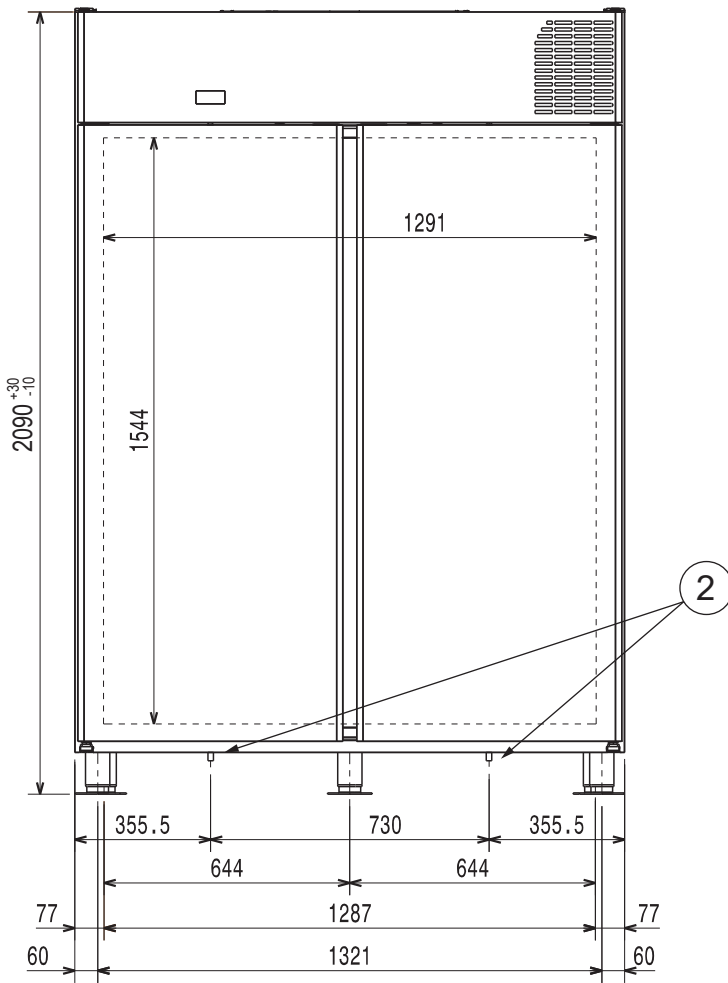
Loipart SEA Pte Ltd, **Singapore**
Tel. +65 674 99 100, contact@loipart.sg

Visit us at www.loipart.com

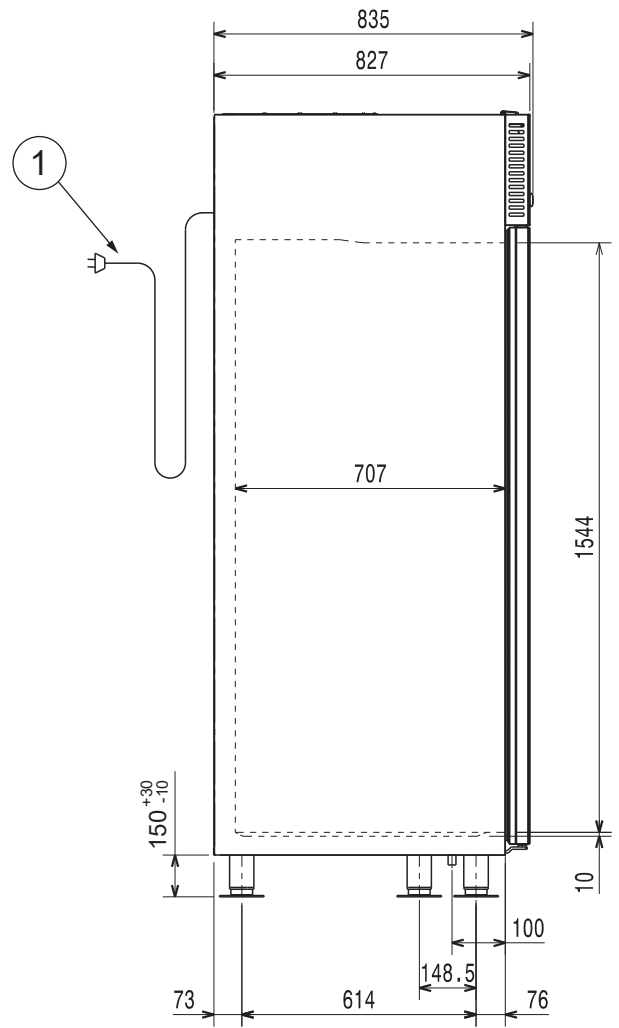
DIMENSIONS

Model: REX142FRM Rev. 1
REX142FR60MH

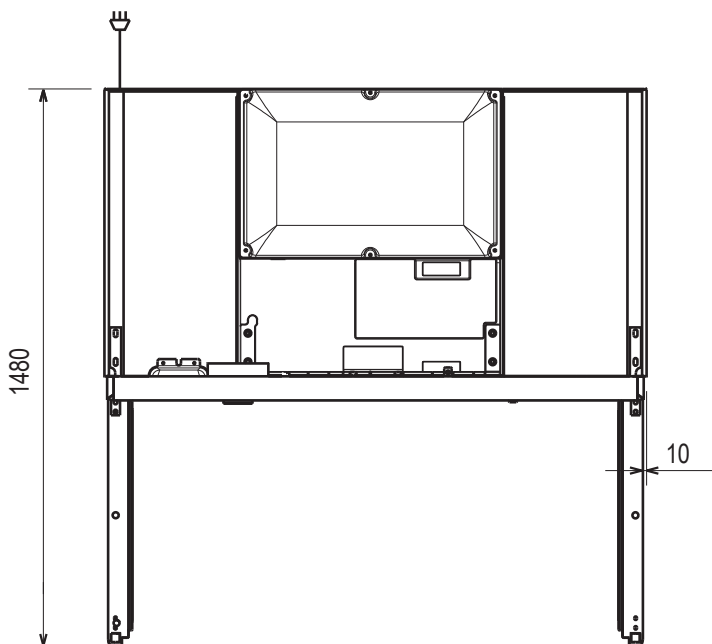
FRONT



SIDE



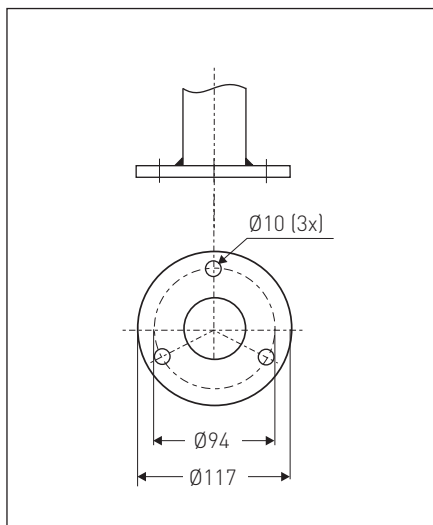
TOP



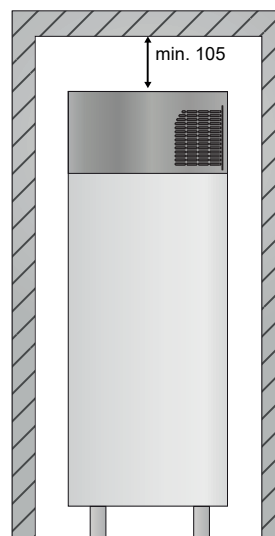
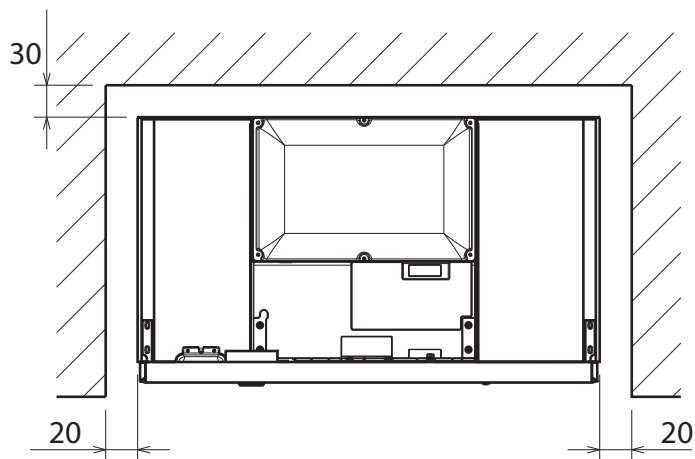
1. Electrical connection cable 3 m with Shuko plug
2. Drain hole 17,5 mm

DIMENSIONS

DETAIL OF MARINE FOOT



POSITIONING



MARINE INSTALLATION

The appliance must be levelled; otherwise its operation could be affected. Adjust the height and level by means of the levelling feet, checking that the door opens and closes properly.

NOTE! For additional instructions of installation please see separate Installation instructions.