



REFRIGERATED COUNTER FOR DRINKS, 3 DOORS 1660MM

Model: CD-M-1-C1-1-1

Article no: L22117

Power supply: 230V 1Ph ~60Hz

The range of cold units includes various types of refrigerated drawers, cabinets, and worktops. Thanks to the flexible modular construction, they are easy to combine to create a customized food service system that best suits individual needs. All units are made of stainless steel and comply with the hygiene standards for professional galleys.

This refrigerated counter is intended to store cold beverages. All surfaces are stainless steel and come with 63 mm adjustable marine feet. The counter has GN-sized cupboards that include a locking latch with a key.

The technical features of products are designed to meet cold storage requirements in ambient temperatures up to +30°C. The refrigeration module is removable without tools and comes with automatic defrost and evaporation of defrost water. A ventilated refrigeration module ensures even temperature distribution.

The unit has 50 mm thick walls, and the insulating material is polyurethane.

MAIN FEATURES

- Temperature adjustable between +2 and +6°C
- Digital temperature display
- CFC and HCFC-free insulation
- Unit is CE marked
- Refrigerator module 250 W
- Refrigerant type R290

CD-M-1-C1-1-1, L22117
26-01-24 (11:32)

Model Number Specific	CD-M-1-C1-1-1
Voltage (V)	230
Phase	1
Frequency (Hz)	60
Loading (kW)	0,25
IP Class	44
Width, net (mm)	1660
Depth, net (mm)	650
Height, net (mm)	900
Weight, net (kg)	153
Weight, gross (kg)	163
Volume, net (m3)	0,97
Volume, gross (m3)	1,26
Connection Cable, length (m)	3
Plug type	Schuko
Adapted for container sizes	GN
Ambient temperature, max (°C)	30
Automatic defrost	Yes
Certifications	CE
Cooling capacity (W)	250
Cooling fan	Yes
Door, type	Stainless steel
Doors, qty (pcs)	3
Filling factor refrigerant (g)	150
Installation, type	Floor model
Locking device, included	Yes
Marine feet	Yes
Noise level <(dB)	70
Placing	Free standing
Refrigerant type	R290
Sections, qty (pcs)	4

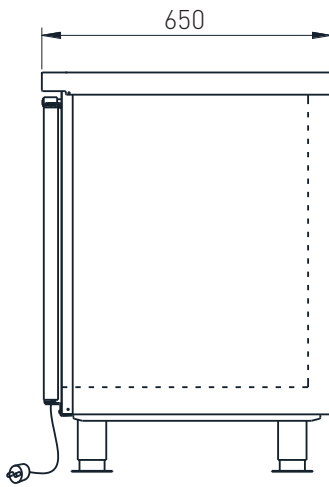
INCLUDED IN DELIVERY

Each cupboard has two removable shelves and seven pairs of removable shelf brackets.

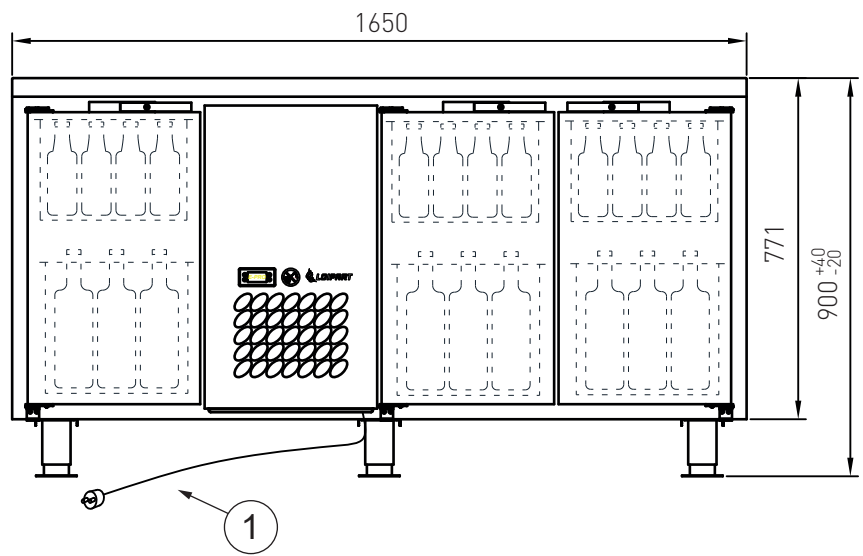
DIMENSIONS

Model: CD-M-1-C1-1-1 Rev. 1

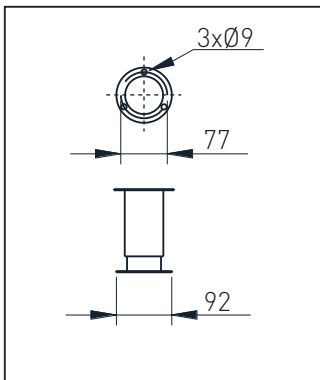
SIDE



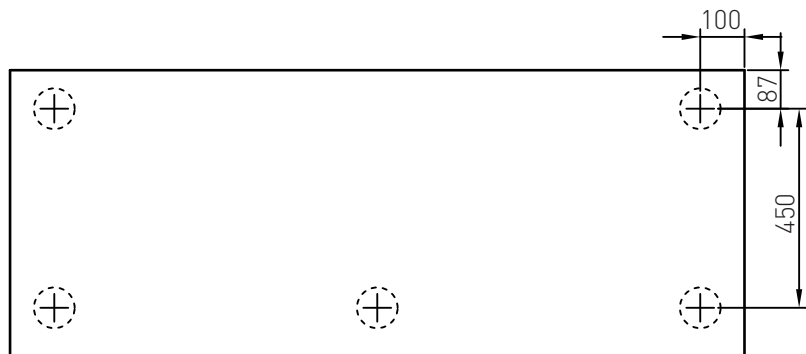
FRONT



DETAIL MARINE FOOT



TOP



1. Electrical connection cable 3 m, Schuko plug.