



## REFRIGERATED COUNTER FOR DRINKS, 2+2 DRAWERS, 1260MM

Model: CD-M-2-C2-2

Article no: L22115

Power supply: 230V 1Ph ~60Hz

The range of cold units includes various types of refrigerated drawers, cabinets, and worktops. Thanks to the flexible modular construction, they are easy to combine to create a customized food service system that best suits individual needs. All units are made of stainless steel and comply with the hygiene standards for professional galleys.

The counter has bottle-adapted drawers to keep drinks cold and ready for serving. The drawers have a locking latch with a key and removable slide rails, and plastic magnetic gaskets. All surfaces are stainless steel and come with 63 mm adjustable marine feet.

The counter is designed to meet cold storage requirements in ambient temperatures up to +30°C. The refrigeration module is removable without tools and comes with automatic defrost and evaporation of defrost water. A ventilated refrigeration module ensures even temperature distribution.

The unit has 50 mm thick walls, and the insulating material is polyurethane.

### MAIN FEATURES

- S/S bottle boxes are included for each drawer
- Temperature adjustable between +2 and +6°C
- Digital temperature display
- CFC and HCFC-free insulation
- Unit is CE marked
- Refrigerator module 250 W
- Refrigerant type R290

CD-M-2-C2-2, L22115

26-01-24 (11:32)

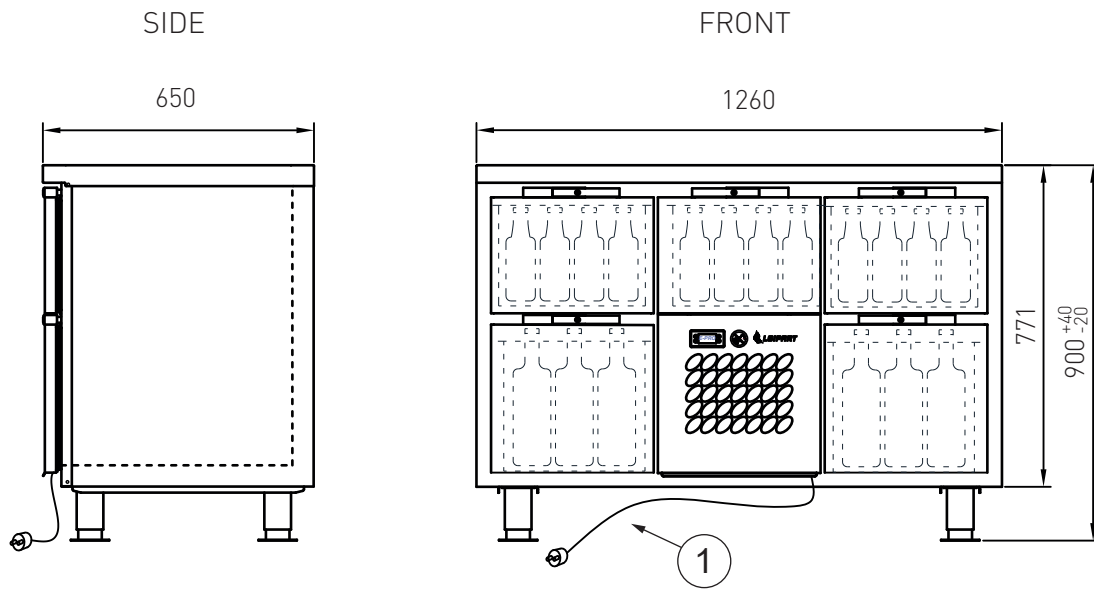
<b>Model Number Specific</b>	CD-M-2-C2-2
<b>Voltage (V)</b>	230
<b>Phase</b>	1
<b>Frequency (Hz)</b>	60
<b>Loading (kW)</b>	0,25
<b>IP Class</b>	44
<b>Width, net (mm)</b>	1260
<b>Depth, net (mm)</b>	650
<b>Height, net (mm)</b>	900
<b>Weight, net (kg)</b>	123
<b>Weight, gross (kg)</b>	133
<b>Volume, net (m3)</b>	0,74
<b>Volume, gross (m3)</b>	0,96
<b>Connection Cable, length (m)</b>	3
<b>Plug type</b>	Schuko
<b>Adapted for container sizes</b>	GN
<b>Ambient temperature, max (°C)</b>	30
<b>Automatic defrost</b>	Yes
<b>Certifications</b>	CE
<b>Cooling capacity (W)</b>	250
<b>Cooling fan</b>	Yes
<b>Drawers/section, qty (pcs)</b>	2
<b>Filling factor refrigerant (g)</b>	150
<b>Installation, type</b>	Floor model
<b>Locking device, included</b>	Yes
<b>Marine feet</b>	Yes
<b>Noise level &lt;(dB)</b>	70
<b>Placing</b>	Free standing
<b>Refrigerant type</b>	R290
<b>Sections, qty (pcs)</b>	3

## INCLUDED IN DELIVERY

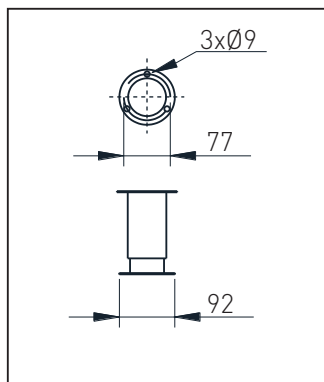
S/S bottle boxes are included in delivery for each drawer.

# DIMENSIONS

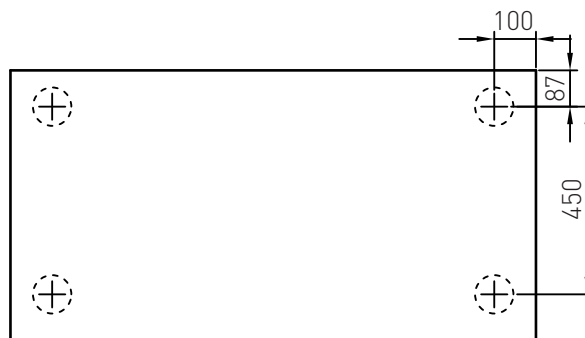
Model: CD-M-2-C2-2 Rev. 1



DETAIL MARINE FOOT



TOP



1. Electrical connection cable 3 m, Schuko plug.