



REFRIGERATED COUNTER, FLAT TOP, 6 DRAWERS, 1260MM

Model: CLMGNH-3-CE-3

Article no: L22012

Power supply: 230V 1Ph ~50/60Hz

This refrigerated counter with a flat top is intended for preparation and storage of chilled food. Supplied ready for marine use and made of stainless steel AISI grade 304 bodies both internally and externally. The counter has lockable doors and easy removable magnetic door gasket. The modular construction means no tools are required to remove the refrigeration unit, drawers, and runners. Fitted with fan-forced air circulation. All cupboards, drawers, and basins are adapted for GN sized containers. R290 refrigerant and 50 mm thick polyurethane insulation. The compartments are fitted with guide-rails (4 pairs/door) and grid shelves (2 pcs/door). It is also equipped with an automatic defrost and meltwater evaporation as well as a blocked condenser alarm.

MAIN FEATURES

- Visual high/low-temperature alarm
- Blocked condenser/high ambient temperature alarm
- Exterior/Interior finish in stainless steel grade AISI 304
- Insulation with high density CFC/HCFC free polyurethane
- Slide-in/out refrigeration cassette (by hand) for easy service
- Built-in washable condenser air filter
- Marine stainless steel legs, height adjustable (-5mm to +65 mm)

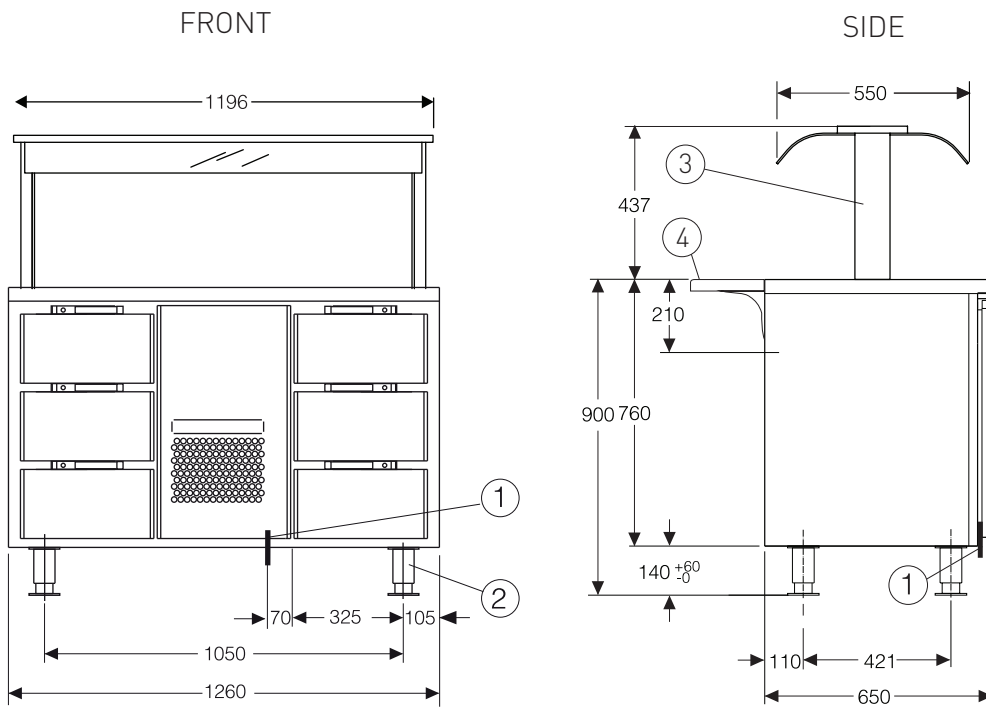
CLMGNH-3-CE-3, L22012

26-01-24 (11:35)

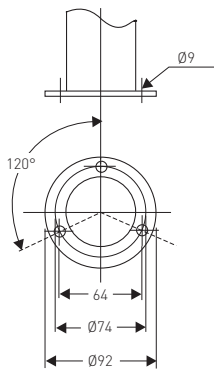
| | |
|---------------------------------------|---------------|
| Model Number Specific | CLMGNH-3-CE-3 |
| Voltage (V) | 230 |
| Phase | 1 |
| Frequency (Hz) | 50/60 |
| Loading (kW) | 0,25 |
| Fuse (A) | 10 |
| IP Class | 43 |
| Width, net (mm) | 1260 |
| Depth, net (mm) | 650 |
| Height, net (mm) | 900 |
| Weight, net (kg) | 117 |
| Weight, gross (kg) | 138 |
| Volume, net (m3) | 0,74 |
| Volume, gross (m3) | 0,96 |
| Connection Cable, length (m) | 2 |
| Plug type | Schuko |
| Adapted for container sizes | GN |
| Ambient temperature, max (°C) | 25 |
| Ambient temperature, min (°C) | 5 |
| Automatic defrost | Yes |
| Certifications | CE |
| Cooling fan | Yes |
| Drawers/section, qty (pcs) | 3 |
| Filling factor refrigerant (g) | 80 |
| Installation, type | Floor model |
| Locking device, included | Yes |
| Marine feet | Yes |
| Noise level <(dB) | 55 |
| Placing | Free standing |
| Refrigerant type | R290 |
| Sections, qty (pcs) | 3 |

DIMENSIONS

Model: CLM-GNH-3-CE-3 Rev. 1



DETAIL MARINE FOOT



1. Electrical connection, 2 m cord with plug included.
2. Adjustable marine feet (+60/-0).
3. Overshelf with light. (optional extras)
4. Tray slide. (optional extras)