



REFRIGERATED COUNTER, FLAT TOP, 3 DOORS, 1660MM

Model: CLMGNH-1-CE-1-1

Article no: L22003

Power supply: 230V 1Ph ~50/60Hz

This refrigerated counter with a flat top is intended for preparation and storage of chilled food. Supplied ready for marine use and made of stainless steel AISI grade 304 bodies both internally and externally.

The counter has lockable doors and easy removable magnetic door gasket. The modular construction means no tools are required to remove the refrigeration unit, drawers, and runners. Fitted with fan forced air circulation.

All cupboards, drawers, and basins are adapted for GN sized containers.

R290 refrigerant and 50 mm thick polyurethane insulation.

The compartments are fitted with guide-rails (4 pairs/door) and grid shelves (2 pcs/door). It is also equipped with an automatic defrost and meltwater evaporation as well as a blocked condenser alarm.

MAIN FEATURES

- Visual high/low-temperature alarm
- Blocked condenser/high ambient temperature alarm
- Exterior/Interior finish in stainless steel grade AISI 304
- Insulation with high density CFC/HCFC free polyurethane
- Door(s) equipped with marine handle and lock, magnetic gasket and heavy-duty hinges
- Slide-in/out refrigeration cassette (by hand) for easy service
- Built-in washable condenser air filter
- Marine stainless steel legs, height adjustable (-5mm to +65 mm)

CLMGNH-1-CE-1-1, L22003

26-01-24 (11:35)

TECHNICAL DATA

CLMGNH-1-CE-1-1, L22003, 26-01-24 (11:35)

Model Number Specific	CLMGNH-1-CE-1-1
Voltage (V)	230
Phase	1
Frequency (Hz)	50/60
Loading (kW)	0,25
Fuse (A)	10
IP Class	43
Width, net (mm)	1660
Depth, net (mm)	650
Height, net (mm)	900
Weight, net (kg)	135
Weight, gross (kg)	170
Volume, net (m3)	0,97
Volume, gross (m3)	1,26
Connection Cable, length (m)	2
Plug type	Schuko
Adapted for container sizes	GN
Ambient temperature, max (°C)	25
Ambient temperature, min (°C)	5
Automatic defrost	Yes
Certifications	CE
Cooling fan	Yes
Doors, qty (pcs)	3
Filling factor refrigerant (g)	80
Installation, type	Floor model
Locking device, included	Yes
Marine feet	Yes
Noise level <(dB)	55
Placing	Free standing
Refrigerant type	R290
Sections, qty (pcs)	4

INCLUDED IN DELIVERY

6 pcs of grid shelves

Loipart AB (HQ), Sweden
Tel. +46 313 920 100, loipart@loipart.se

LMG Finland oy, Finland
+358 40 664 6680, lmg@lmg.fi



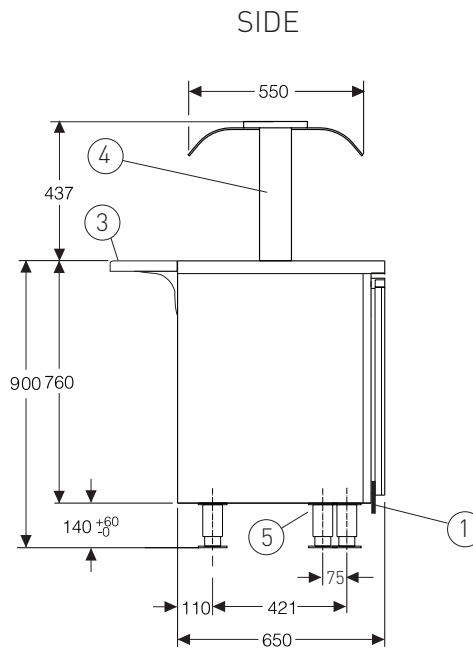
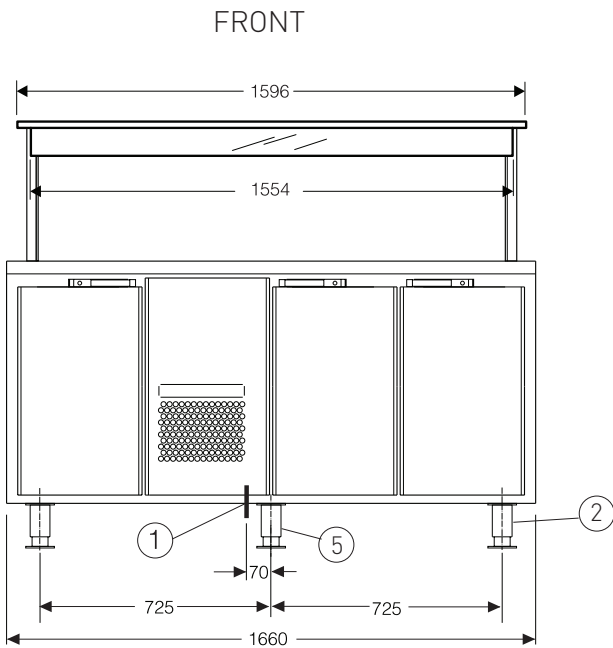
Loipart USA inc, USA
Tel. +1 954 530 5276, loipartusa@loipart.com

Loipart SEA Pte Ltd, Singapore
Tel. +65 674 99 100, contact@loipart.sg

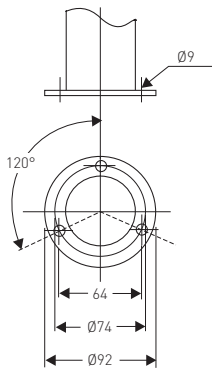
Visit us at www.loipart.com

DIMENSIONS

Model: CLM-GNH-1-CE-1-1 Rev. 2



DETAIL MARINE FEET



1. Electrical connection, 2 m cord with plug included.
2. Adjustable marine feet (+60/-0).
3. Tray slide. (optional extras)
4. Overshelf with light. (optional extras)
5. Centered marine foot (the unit is delivered with 5 pcs of feet)