



RANGE, 4 HOT PLATES AND OVEN

Model: E9ECMH4QE5

Article no: 391184

Power supply: 400V 3Ph ~50/60Hz

The 900XP range is designed to guarantee the highest level of performance, reliability, energy saving, safety standards and ergonomic operation.

This range has four 4 kW square cast-iron hot plates hermetically sealed to a one-piece top.

The range has an oven chamber with three levels of runners to accommodate 2/1 GN shelves (2 steam pans). Ribbed, cast-iron oven base plate. Exterior panels of the unit in stainless steel with Scotch Brite finish. Pan supports in heavy duty cast iron. Extra strength worktop in heavy duty 2 mm stainless steel.

Right-angled side edges to allow flush-fitting junction between units.

MAIN FEATURES

- IPX5 water protection
- The design of the control knob system guarantees against water infiltration
- Two hermetically sealed 4kW cast-iron plates
- AISI 304 stainless steel worktop, 2mm thick
- All exterior panels in Stainless Steel with Scotch Brite finishing
- Model is 930 mm deep to give a larger working surface area
- Oven chamber with three levels of runners to accommodate 2/1 GN shelves
- Thermostat temperature is adjustable from 110°C to 285°C.

E9ECMH4QE5, 391184

08-09-22 (10:18)

Subject to change without notice
For correct installation, refer to the installation manual

TECHNICAL DATA

E9ECMH4QE5, 391184, 08-09-22 (10:18)

Model Number Specific	E9ECMH4QE5
Voltage (V)	400
Phase	3
Frequency (Hz)	50/60
Loading (kW)	22
Max Amps in Phase (A)	36,7
IP Class	X5
Capacity, pans (pcs)	3
Width, net (mm)	800
Depth, net (mm)	930
Height, net (mm)	900
Weight, net (kg)	135
Weight, gross (kg)	160
Volume, net (m3)	1,03
Volume, gross (m3)	1,34
Product brand	Electrolux Professional
Adapted for container sizes	GN
Front rail, included	Yes
Hot plate dimensions (mm)	300x300
Hot Plate loading (kW)	4
Hot plate, qty (pcs)	4
Hot plate, type	Square
Installation, type	Floor model
Marine feet	Yes
Noise level <(dB)	70
Oven, included	Yes
Oven, type	Roasting and Baking
Ovens, qty (pcs)	1
Pan sizes	GN2/1
Range, type	Cast Iron
Temperature, max (°C)	285
Timer	No
Touch control	No

INCLUDED IN DELIVERY

- 1 of GN 2/1 chrome grid for static oven (164250) • 1 of Frontal handrail, 800mm article no (216047)

Loipart AB (HQ), Sweden
Tel. +46 313 920 100, loipart@loipart.se

LMG Finland oy, Finland
+358 40 664 6680, lmg@lmg.fi



Loipart USA inc, USA
Tel. +1 954 530 5276, loipartusa@loipart.com

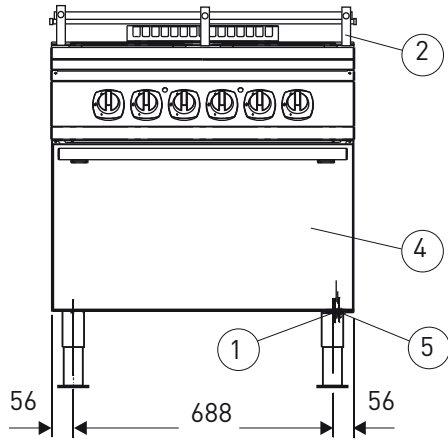
Loipart SEA Pte Ltd, Singapore
Tel. +65 674 99 100, contact@loipart.sg

Visit us at www.loipart.com

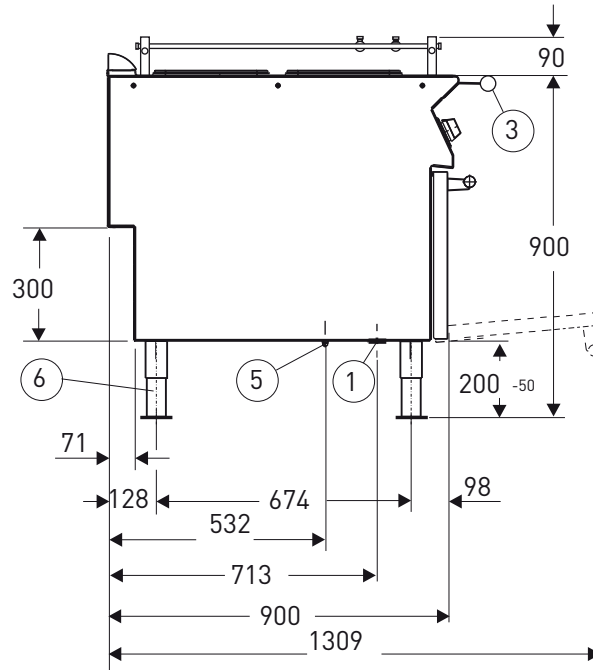
DIMENSIONS

Model: E9ECMH4QE Rev. 1

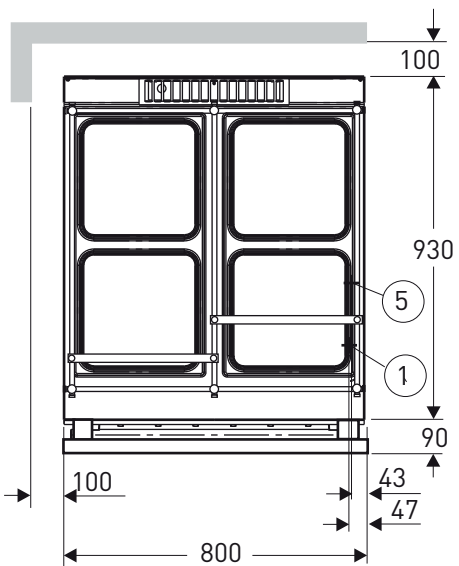
FRONT



SIDE



TOP



1. Electrical connection
2. Rolling rack
3. Front hand rail
4. Oven 6 kW
5. Equipotential screw
6. Marine leg

DETAIL MARINE FEET

