



RANGE, 4 HOT PLATES AND OVEN

Model: E7ECMH4QE5

Article no: 371150

Power supply: 400V 3Ph ~50/60Hz

The 700XP range is designed to guarantee the highest level of performance, reliability, energy saving, safety standards and ergonomic operation.

The freestanding electric range and boiling tops are ideal for kitchens needing a flexible, powerful and easy to clean cooking top mounted on an electric oven

Main connections are accessible from below the base of the unit. Access to all components from the front.

One piece pressed worktop in 1,5mm stainless steel with smooth, rounded corners. Exterior panels in stainless steel with Scotch Brite finish.

Provided with recessed, double skinned, insulated door for airtight closure and better hygiene. Oven cavity in stainless steel with a vitreous enamelled ribbed base plate to allow for the direct placement of pans. Marine feet in stainless steel are adjustable up to 50mm in height.

This unit has separate thermostats for the top and bottom elements. Oven thermostat adjustable from 140° to 300°C and power of 6 kW. Stainless steel oven chamber with 3 levels of runners to accommodate 2/1GN shelves.

Cast-iron hot plates each having a power of 2.6 kW with regulation in steps and safety thermostat is hermetically sealed to the one-piece top.

MAIN FEATURES

- Four 2.6kW cast-iron square plates are hermetically sealed to the one-piece top.
- Stainless steel oven chamber with 3 levels of runners for 2/1 GN shelves (2 steam pans).
- Ribbed enamelled steel oven base plate.
- Oven thermostat adjustable from 140 °C to 300 °C.
- IPX 4 water protection.
- All exterior panels in Stainless Steel

E7ECMH4QE5, 371150

08-09-22 (09:53)

TECHNICAL DATA

E7ECMH4QE5, 371150, 08-09-22 (09:53)

Model Number Specific	E7ECMH4QE5
Voltage (V)	400
Phase	3
Frequency (Hz)	50/60
Loading (kW)	16,4
Max Amps in Phase (A)	26,5
IP Class	X4
Capacity, pans (pcs)	3
Width, net (mm)	800
Depth, net (mm)	730
Height, net (mm)	850
Weight, net (kg)	80
Weight, gross (kg)	100
Volume, net (m3)	0,87
Volume, gross (m3)	1,13
Plug type	None
Product brand	Electrolux Professional
Adapted for container sizes	GN
Adjustable height	No
Certifications	CE
Front rail, included	Yes
Hot plate dimensions (mm)	230x230
Hot plate, qty (pcs)	4
Hot plate, type	Square
Installation, type	Floor model
Marine feet	Yes
Noise level <(dB)	70
Oven, included	Yes
Oven, type	Roasting and Baking
Ovens, qty (pcs)	1
Pan sizes	GN2/1
Range, type	Cast Iron
Temperature, max (°C)	300
Timer	No

Loipart AB (HQ), Sweden
Tel. +46 313 920 100, loipart@loipart.se

LMG Finland oy, Finland
+358 40 664 6680, lmg@lmg.fi



Loipart USA inc, USA
Tel. +1 954 530 5276, loipartusa@loipart.com

Loipart SEA Pte Ltd, Singapore
Tel. +65 674 99 100, contact@loipart.sg

Visit us at www.loipart.com

Touch control	No
---------------	----

INCLUDED IN DELIVERY

1 of GN2/1 chrome grid for static oven PNC 164250 • 1 of Frontal handrail, 800mm PNC 216047

Loipart AB (HQ), **Sweden**
Tel. +46 313 920 100, loipart@loipart.se

LMG Finland oy, **Finland**
+358 40 664 6680, lmg@lmg.fi



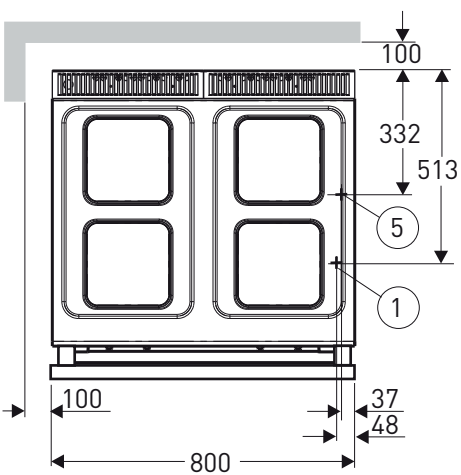
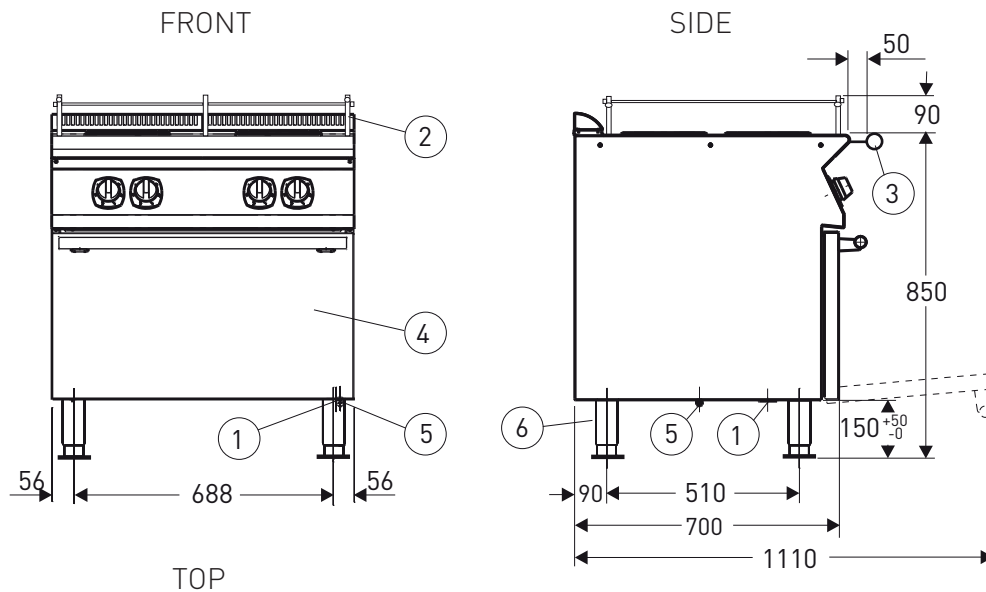
Loipart USA inc. **USA**
Tel. +1 954 530 5276, loipartusa@loipart.com

Loipart SEA Pte Ltd, **Singapore**
Tel. +65 674 99 100, contact@loipart.sg

Visit us at www.loipart.com

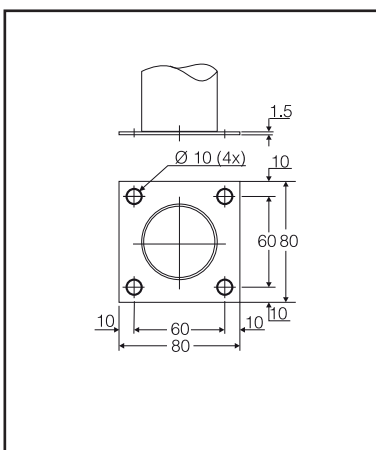
DIMENSIONS

Model: E7ECMH4QE Rev. 1



1. Electrical connection
2. Rolling rack
3. Front hand rail
4. Oven 6.0 kW
5. Equipotential screw
6. Marine legs

DETAIL MARINE FEET



INSTALLATION

The deck standing ovens are delivered with flanged adjustable marine legs for bolting to deck.