



PORTABLE MIXER

Model: BP5545

Article no: 600367

Power supply: 230V 1Ph ~50/60Hz

Handheld mixer with stainless steel tube and space saving storing wall support. To be used directly in stew pots, even during cooking. Bayonet system ensures easy removal of accessories. Parts in contact with food tube, blade, shaft completely dismountable without tools for easy cleaning. Bell knife design ensures antispash system and minimum handling during working operations. Flat motor base with ergonomic handle for a convenient grip. Electronic speed variator with speed regulation regardless of the load. Electronic speed adjustment by pulse on + and buttons. Maximum speed: 9000 rpm.

MAIN FEATURES

- Parts in contact with food tube, blade, shaft can be completely dismantled without tools for easy cleaning.
- Delivered with:
flat base motor stainless steel tube space saving storing wall support.
- Antispash bell knife design.
- Tube, knife and whisks are dishwasher safe.
- Safety feature requires both hands to start the mixer (no volt release system).
- Light weight, ergonomic grip and adjustable speeds make preparation tasks fast and easy.
- Overheating warning red indicator.
- Bayonet system makes fast and simple to exchange tools.
- Productivity suitable for 50 to 300 meals per service.
- Designed to be used directly in stew pots up to 80 lt.

BP5545, 600367
15-01-24 (16:47)

TECHNICAL DATA

BP5545, 600367, 15-01-24 (16:47)

Model Number Specific	BP5545
Voltage (V)	230
Phase	1
Frequency (Hz)	50/60
Loading (kW)	0,55
Max Amps in Phase (A)	10
Width, net (mm)	138
Depth, net (mm)	120
Height, net (mm)	765
Weight, net (kg)	3,5
Weight, gross (kg)	4,8
Volume, net (m3)	0,34
Volume, gross (m3)	0,44
Noise level <(dB)	80

Loipart AB (HQ), **Sweden**
Tel. +46 313 920 100, loipart@loipart.se

LMG Finland oy, **Finland**
+358 40 664 6680, lmg@lmg.fi



Loipart USA inc, **USA**
Tel. +1 954 530 5276, loipartusa@loipart.com

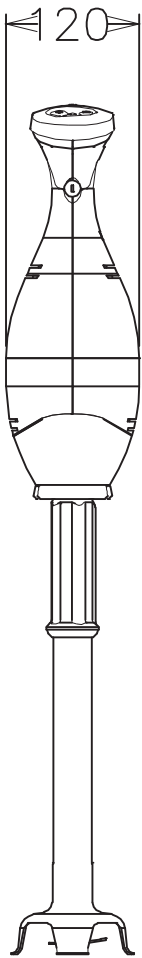
Loipart SEA Pte Ltd, **Singapore**
Tel. +65 674 99 100, contact@loipart.sg

Visit us at www.loipart.com

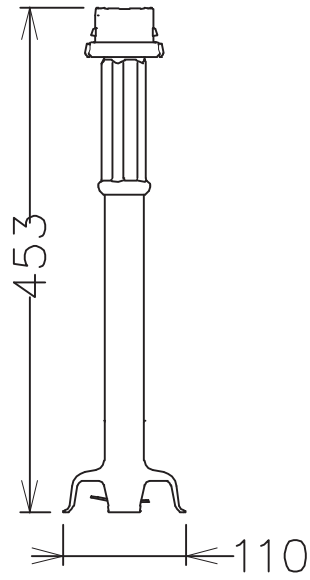
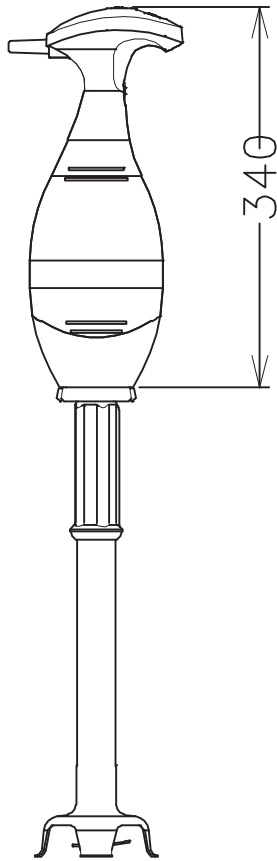
DIMENSIONS

Model: BP5545 Rev. 1

FRONT



SIDE



TOP

