



PLANETARY MIXER 20L WITH HUB

Model: LMX20

Article no: JT205H400503

Power supply: 400V 3Ph ~50Hz

This planetary mixer has a cast iron body and a powerful custom built motor with three fixed speeds. It's belt driven with gear box and high torque transmission. Heat-treated hardened steel alloy gears and shafts and permanently lubricated transmission. The mixer is operated in front and has a 15 minute interval timer and a thermal overload protection. The mixer is equipped with a stainless steel bowl guard and lift. It also has a built in ingredient chute for adding ingredients while the mixer is running.

With the attachment hub (#12) it's possible to make the mixer with the attachments (optional extras) as meat mincer and vegetable preparation.

MAIN FEATURES

- Three fixed speeds and timer.
- Overload protection.
- Bowl detection device.
- Ingredient chute.
- Attachment hub #12.
- Supplied with spiral hook, paddle and whisk.

LMX20, JT205H400503

15-01-24 (16:10)

TECHNICAL DATA

LMX20, JT205H400503, 15-01-24 (16:10)

| | |
|-------------------------------------|-----------------|
| Model Number Specific | LMX20 |
| Voltage (V) | 400 |
| Phase | 3 |
| Frequency (Hz) | 50 |
| Loading (kW) | 0,6 |
| Capacity (L) | 20 |
| Capacity (kg) | 6,8 |
| Width, net (mm) | 552 |
| Depth, net (mm) | 544 |
| Height, net (mm) | 921 |
| Weight, net (kg) | 80 |
| Weight, gross (kg) | 140 |
| Volume, net (m3) | 0,28 |
| Volume, gross (m3) | 0,58 |
| Connection Cable, length (m) | 0 |
| Plug type | None |
| Attachment drive | Yes |
| Installation, type | Table top model |
| Mixer, type | Planetary |
| Noise level <(dB) | 65,5 |

INCLUDED IN DELIVERY

A 20 liter stainless steel bowl, flat beater (aluminum), stainless steel wire whip & spiral dough hook (aluminum)

Loipart AB (HQ), **Sweden**
Tel. +46 313 920 100, loipart@loipart.se

LMG Finland oy, **Finland**
+358 40 664 6680, lmg@lmg.fi



Loipart USA inc, **USA**
Tel. +1 954 530 5276, loipartusa@loipart.com

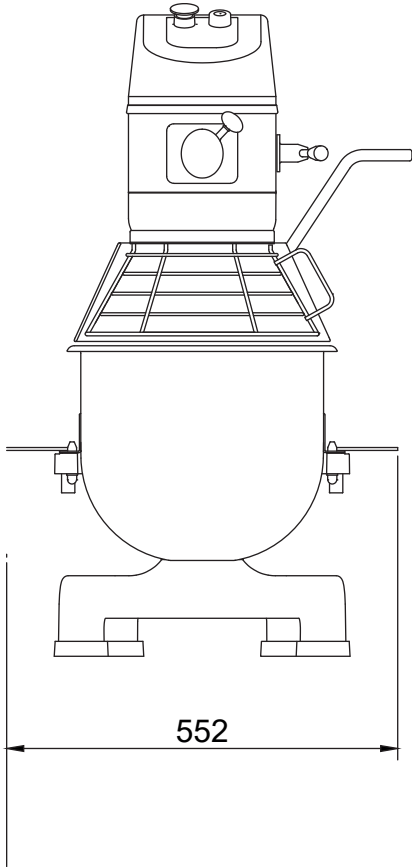
Loipart SEA Pte Ltd, **Singapore**
Tel. +65 674 99 100, contact@loipart.sg

Visit us at www.loipart.com

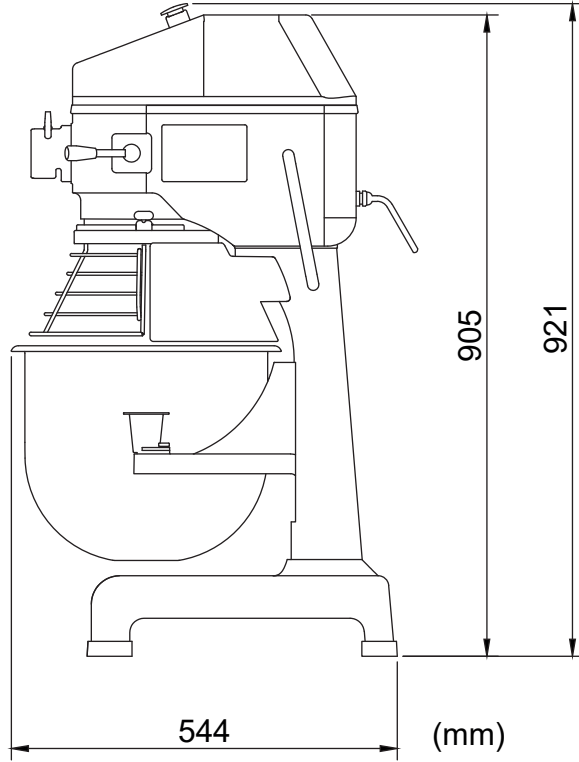
DIMENSIONS

Model: LMX20 Rev. 1

FRONT



SIDE



DETAIL MARINE FEET

