



MICROWAVE OVEN 26L, 1000W

Model: MWP1052-26EN

Article no: L23008

Power supply: 230V 1Ph ~50Hz

Microwave oven made in a durable construction for years of commercial food service use.

The oven has two cooking stages and memory cooking menus.

A stainless steel interior and exterior make cleaning easier.

MAIN FEATURES

- 1000 W power
- 26 L capacity
- Stainless steel interior and exterior
- Fixed full-size ceramic plate GN1/2
- Durable construction
- Removable air filter.

MWP1052-26EN, L23008
22-01-24 (14:00)

Subject to change without notice
For correct installation, refer to the installation manual

TECHNICAL DATA

MWP1052-26EN, L23008, 22-01-24 (14:00)

Model Number Specific	MWP1052-26EN
Voltage (V)	230
Phase	1
Frequency (Hz)	50
Loading (kW)	1,55
Fuse (A)	16
Capacity (L)	26
Width, net (mm)	511
Depth, net (mm)	430
Height, net (mm)	311
Weight, net (kg)	14,7
Weight, gross (kg)	16,5
Volume, gross (m3)	0,09
Connection Cable, length (m)	1,2
Plug type	Schuko
Certifications	CE
Oven, type	Microwave

Loipart AB (HQ), **Sweden**
Tel. +46 313 920 100, loipart@loipart.se

LMG Finland oy, **Finland**
+358 40 664 6680, lmg@lmg.fi



Loipart USA inc, **USA**
Tel. +1 954 530 5276, loipartusa@loipart.com

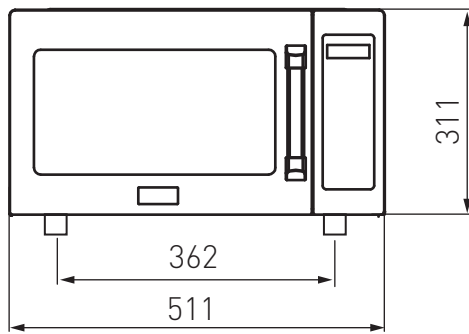
Loipart SEA Pte Ltd, **Singapore**
Tel. +65 674 99 100, contact@loipart.sg

Visit us at www.loipart.com

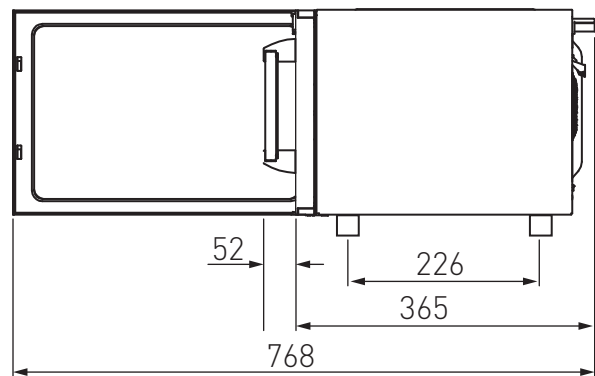
DIMENSIONS

Model: MWP1052-26EN Rev. 1
MWP1062-26EN

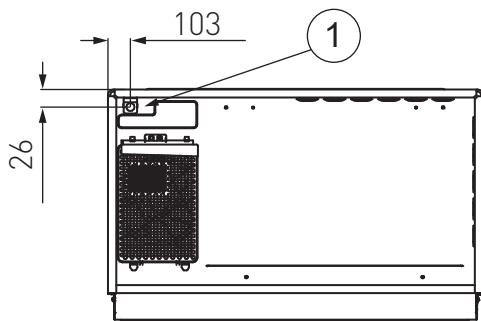
FRONT



SIDE



BACK



1. Electrical connection, 1,2 m cable.