



## MICROWAVE OVEN 26L, 1000W

**Model: MWP1062-26EN**

**Article no: L23007**

**Power supply: 120V 1Ph ~60Hz**

Microwave oven made in a durable construction for years of commercial food service use.

The oven has two cooking stages and memory cooking menus.

A stainless steel interior and exterior make cleaning easier.

### MAIN FEATURES

- 1000 W power
- 26 L capacity
- Stainless steel interior and exterior
- Fixed full-size ceramic plate GN1/2
- Durable construction
- Removable air filter.

MWP1062-26EN, L23007  
22-01-24 (14:00)

Subject to change without notice  
For correct installation, refer to the installation manual

## TECHNICAL DATA

MWP1062-26EN, L23007, 22-01-24 (14:00)

<b>Model Number Specific</b>	MWP1062-26EN
<b>Voltage (V)</b>	120
<b>Phase</b>	1
<b>Frequency (Hz)</b>	60
<b>Loading (kW)</b>	1,55
<b>Fuse (A)</b>	16
<b>Capacity (L)</b>	26
<b>Width, net (mm)</b>	511
<b>Depth, net (mm)</b>	430
<b>Height, net (mm)</b>	311
<b>Weight, net (kg)</b>	14,7
<b>Weight, gross (kg)</b>	16,5
<b>Volume, gross (m3)</b>	0,09
<b>Connection Cable, length (m)</b>	1,2
<b>Plug type</b>	Schuko
<b>Certifications</b>	CE
<b>Oven, type</b>	Microwave

Loipart AB (HQ), **Sweden**  
Tel. +46 313 920 100, loipart@loipart.se

LMG Finland oy, **Finland**  
+358 40 664 6680, lmg@lmg.fi



Loipart USA inc, **USA**  
Tel. +1 954 530 5276, loipartusa@loipart.com

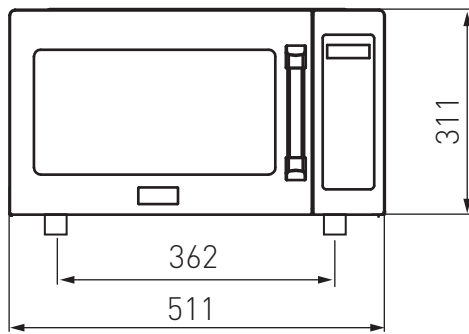
Loipart SEA Pte Ltd, **Singapore**  
Tel. +65 674 99 100, contact@loipart.sg

Visit us at [www.loipart.com](http://www.loipart.com)

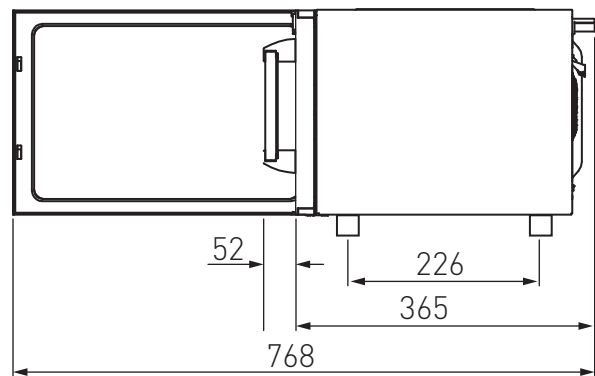
# DIMENSIONS

Model: MWP1052-26EN Rev. 1  
MWP1062-26EN

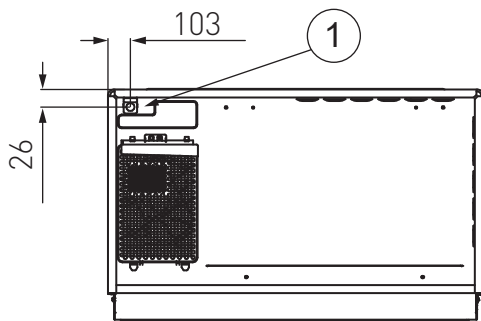
FRONT



SIDE



BACK



1. Electrical connection, 1,2 m cable.