



MICROWAVE OVEN 35L, 1000W

Model: MWP1062-35E

Article no: L22067

Power supply: 220V 1Ph ~60Hz

Microwave oven with shelf, 1000 watt power output, and 35 liters capacity GN 2/3. The oven is made of stainless steel and has an ergonomic door handle.

The model has 5 power levels, 10 x 2 programmable quick memory pads, and up to 100 programable settings.

MAIN FEATURES

- Interior oven light
- Timer
- Removable air filter
- 5 power levels

MWP1062-35E, L22067
22-01-24 (14:00)

Subject to change without notice
For correct installation, refer to the installation manual

TECHNICAL DATA

MWP1062-35E, L22067, 22-01-24 (14:00)

Model Number Specific	MWP1062-35E
Voltage (V)	220
Phase	1
Frequency (Hz)	60
Loading (kW)	1,5
Fuse (A)	10
IP Class	21
Capacity (L)	35
Width, net (mm)	553
Depth, net (mm)	485
Height, net (mm)	343
Weight, net (kg)	17,5
Weight, gross (kg)	20
Volume, net (m3)	0,09
Volume, gross (m3)	0,12
Connection Cable, length (m)	1,2
Plug type	Schuko
Certifications	CB
Door Hanging	Left
Installation, type	Table top model
Microwave power (kW)	1000
Noise level <(dB)	65
Oven, type	Microwave
Power level, qty (pcs)	5

Loipart AB (HQ), **Sweden**
Tel. +46 313 920 100, loipart@loipart.se

LMG Finland oy, **Finland**
+358 40 664 6680, lmg@lmg.fi



Loipart USA inc, **USA**
Tel. +1 954 530 5276, loipartusa@loipart.com

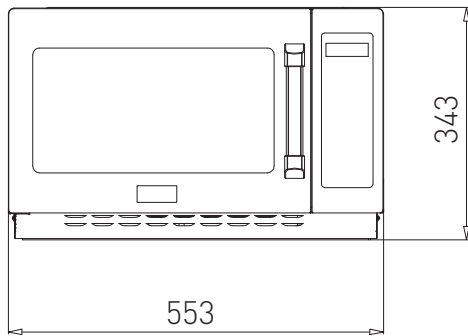
Loipart SEA Pte Ltd, **Singapore**
Tel. +65 674 99 100, contact@loipart.sg

Visit us at www.loipart.com

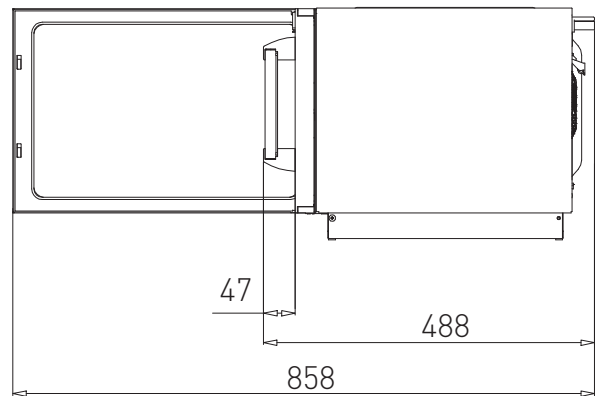
DIMENSIONS

Model: MWP1062-35E Rev. 1

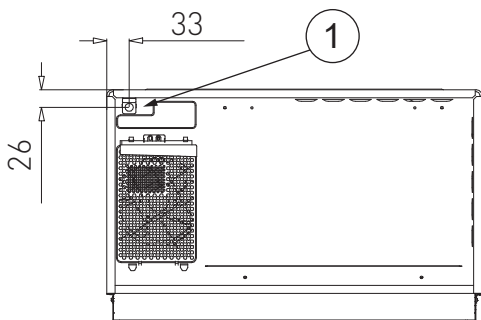
FRONT



SIDE



BACK



1. Electrical connection, 1,2 m cable and schuko plug