



MICROWAVE OVEN 1200W, S/S

Model: MDC12A2

Article no: L11020

Power supply: 120V 1Ph ~60Hz

Constructed to withstand the foodservice environment. The unique method of energy distribution provides superior even heating throughout the cavity. Up to 100 programmable menu items simplifies cooking and ensures consistent results. Four stage cooking option with one-touch programming. Reduces preparation time, labour and food waste while providing consistent results. Power 1200/1800 W. Double rotating antenna. 11 power levels for consistent, delicious results for frozen, refrigerated and fresh foods. The interlock switch assembly is engineered for maximum durability and long life. Controls are user-friendly and require minimal training. Multiple quantity pad calculates the proper cook times for multiple portions. See-through tempered glass door window and lighted interior for monitoring without opening the door. 17 litres capacity accommodates a standard half-sized pan. Stackable to save valuable counter space. Interior ceramic shelf is sealed and recessed to reduce plate-to-shelf edge impact and keep spills contained. Removable, cleanable air filter and clean filter reminder protect oven components. Standard supply includes a 1.7 m electrical cord with earth.

MAIN FEATURES

- Stainless Steel Construction
- Uniform Heating
- Digital Display With Timer
- Touch Control
- 11 Power Levels
- See-Through Window
- Interior Light
- Stackable Models
- Removable Filter With Reminder
- Easy To Clean

MDC12A2, L11020

22-01-24 (13:59)

Subject to change without notice
For correct installation, refer to the installation manual

TECHNICAL DATA

MDC12A2, L11020, 22-01-24 (13:59)

Model Number Specific	MDC12A2
Voltage (V)	120
Phase	1
Frequency (Hz)	60
Loading (kW)	2
Fuse (A)	20
Width, net (mm)	551
Depth, net (mm)	533
Height, net (mm)	365
Weight, net (kg)	30
Weight, gross (kg)	33
Volume, net (m3)	0,1
Volume, gross (m3)	0,13
Connection Cable, length (m)	1,7
Plug type	Schuko
Installation, type	Table top model
Oven, type	Microwave
USPH	Yes

Loipart AB (HQ), **Sweden**
Tel. +46 313 920 100, loipart@loipart.se

LMG Finland oy, **Finland**
+358 40 664 6680, lmg@lmg.fi



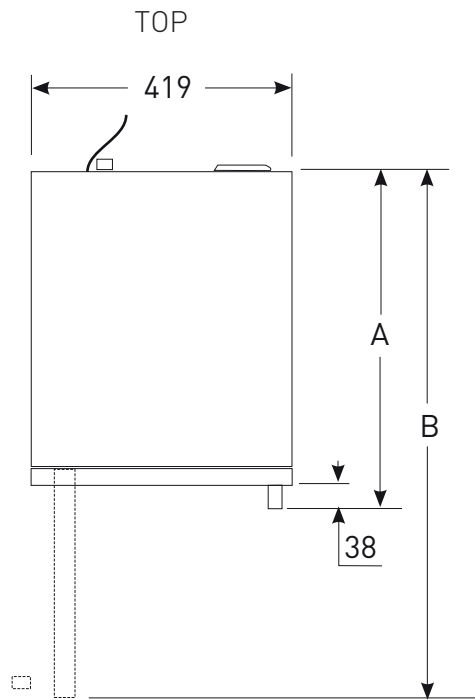
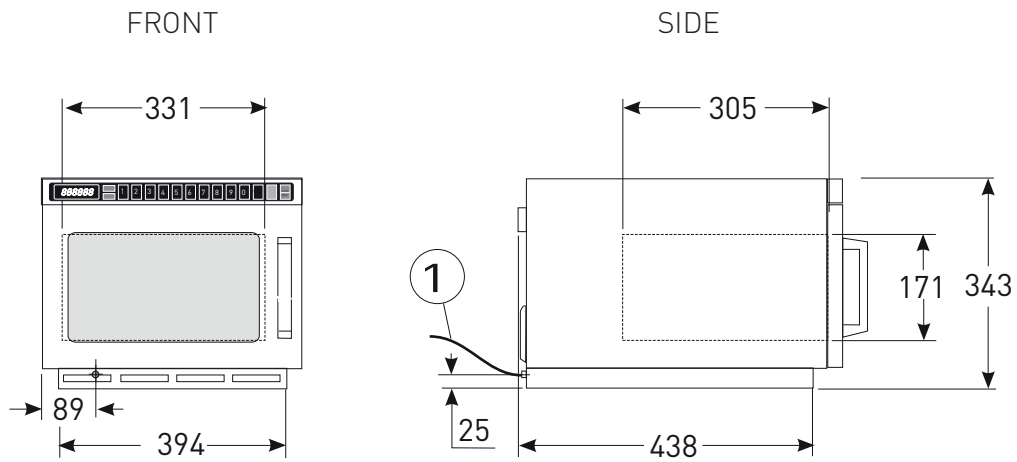
Loipart USA inc, **USA**
Tel. +1 954 530 5276, loipartusa@loipart.com

Loipart SEA Pte Ltd, **Singapore**
Tel. +65 674 99 100, contact@loipart.sg

Visit us at www.loipart.com

DIMENSIONS

Model: MDC12A2, MDC182 Rev. 1



1. Electrical connection, 1.7 m cable with earthed plug included