



HIGH-SPEED PANINI GRILL, SPEEDELIGHT (FLEXIBLE)

Model: HSG3RPRP67

Article no: 603929

Power supply: 220V 1Ph ~60Hz

SpeeDelight is the new professional solution for businesses on the move: it's a dual-plate appliance with the first and only combination of three direct and indirect cooking technologies. Serve delicious food fast: more than a snack; it's a complete taste experience.

The grill can be used to heat up and re-generate food such as; paninis, bagels, toasts, pizzas, quiches and many more.

The three cooking technologies contact, infrared radiation and microwaves provide perfectly cooked food heated to the core. The snacks are perfectly crispy outside and cooked just right inside. The plate settles with just the right pressure and opens automatically when your snack is ready. All guesswork is gone: the result is exactly what's on your menu, every time.

MAIN FEATURES

- Flexible Top Plate
- 3 cooking technologies: contact, infrared radiation and microwave
- Energy Saving Mode
- 8 programs that can be adjusted by the user
- Automatic lifting of the lid at the end of the cooking cycle
- Electronic control with digital 4.3" LED display
- Ergonomic handle

HSG3RPRP67, 603929

27-09-22 (12:07)

Subject to change without notice
For correct installation, refer to the installation manual

TECHNICAL DATA

HSG3RPRP67, 603929, 27-09-22 (12:07)

Model Number Specific	HSG3RPRP67
Voltage (V)	220
Phase	1
Frequency (Hz)	60
Loading (kW)	2,7
Max Amps in Phase (A)	12
Fuse (A)	13
IP Class	X4
Width, net (mm)	370
Depth, net (mm)	683
Height, net (mm)	619
Weight, net (kg)	43,5
Weight, gross (kg)	54
Volume, net (m3)	0,12
Volume, gross (m3)	0,16
Product brand	Electrolux Professional
Cooking surface, dimensions (mm)	250 x 250
Installation, type	Table top model
Noise level <(dB)	70
Temperature, max (°C)	250

INCLUDED IN DELIVERY

· 1 of Glass saver for Speedelight PNC 653527 · 1 of Cleaning brush for Speedelight PNC 653623 · 1 of Spatula for Speedelight PNC 653625 · 1 of Special scraper for Speedelight PNC 653690 · 1 of 4 rubber feet - Height = 26 mm for Speedelight PNC 653792 · 1 of 1lt bottle of detergent grease for Speedelight PNC 653796

Loipart AB (HQ), **Sweden**
Tel. +46 313 920 100, loipart@loipart.se

LMG Finland oy, **Finland**
+358 40 664 6680, lmg@lmg.fi



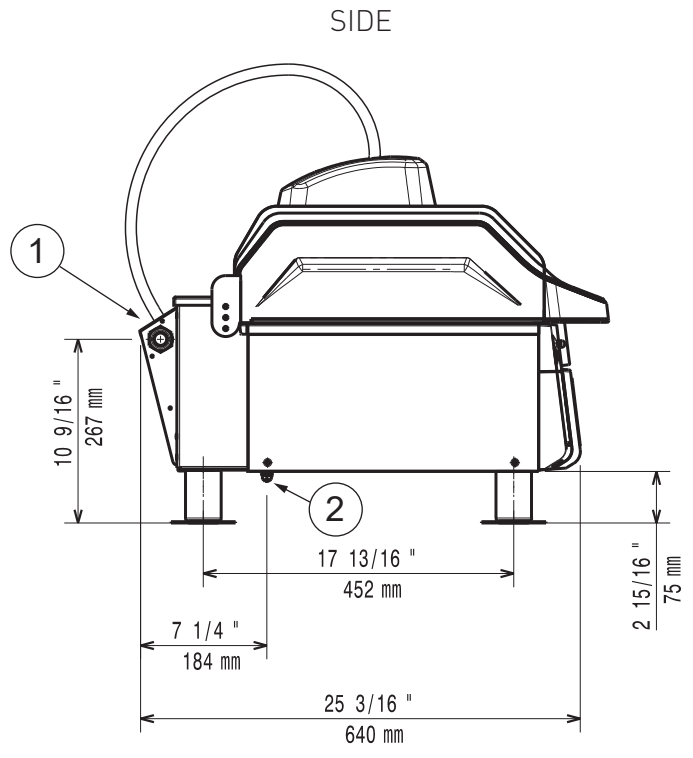
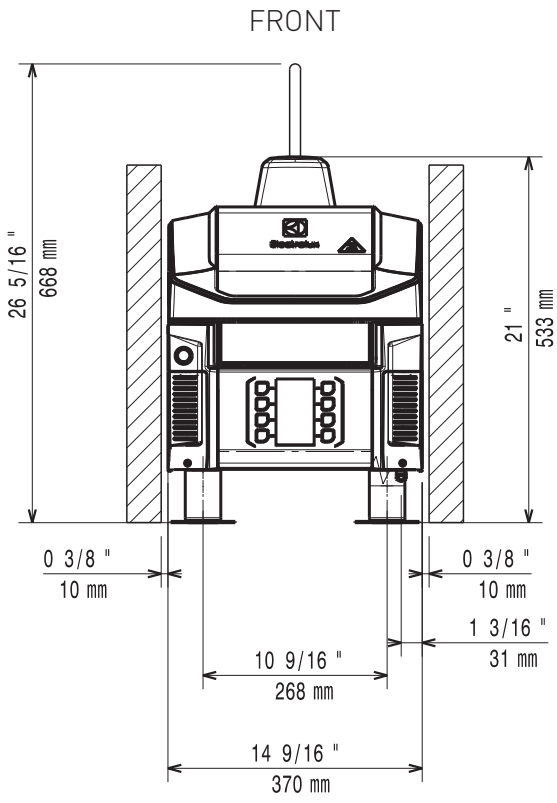
Loipart USA inc, **USA**
Tel. +1 954 530 5276, loipartusa@loipart.com

Loipart SEA Pte Ltd, **Singapore**
Tel. +65 674 99 100, contact@loipart.sg

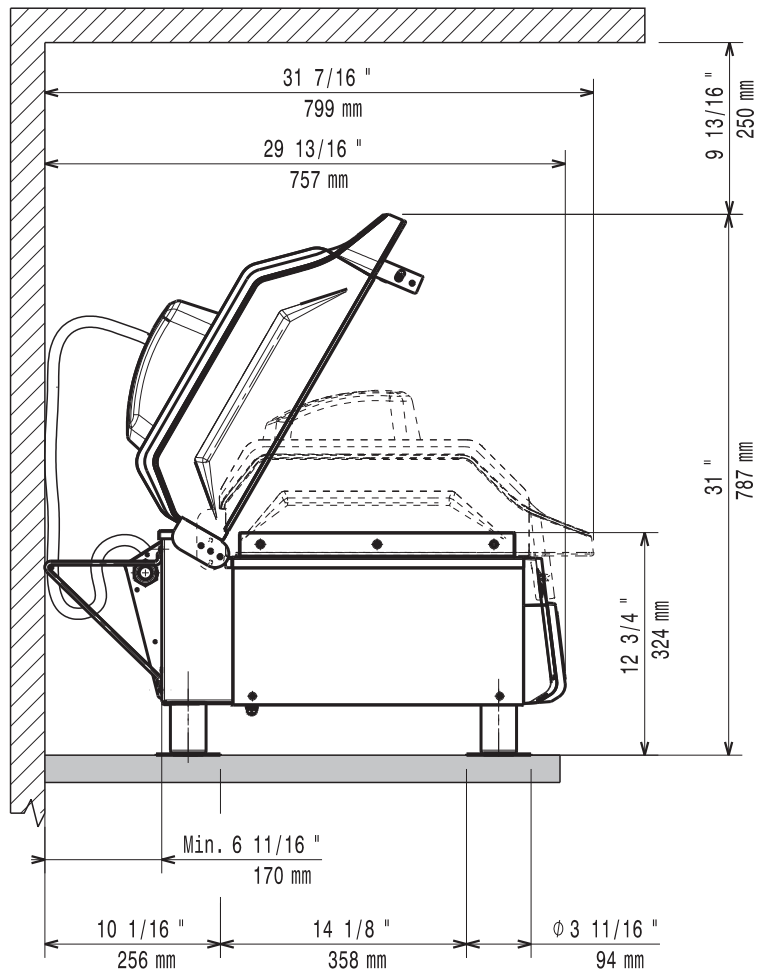
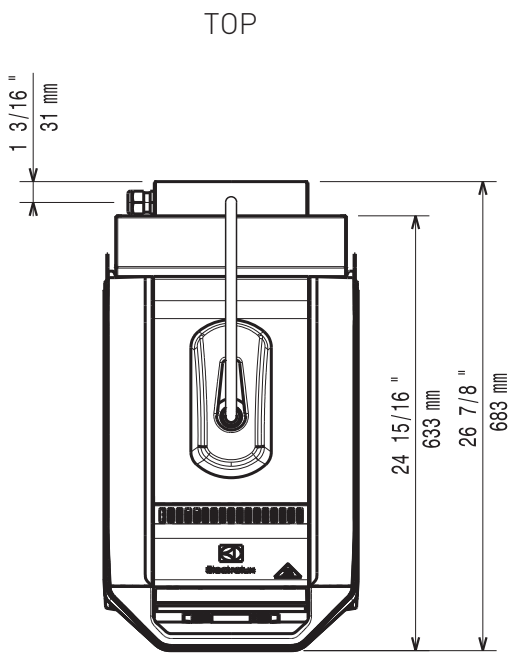
Visit us at www.loipart.com

DIMENSIONS

Model: HSG3RP Rev. 1



OPERATING SPACE NEEDED



- 1. Electrical connection
- 2. Equipotential bonding

Note! It's mandatory to fix the appliance to the table.