



## GRILL, 600MM

**Model: CW-6 ETX**

**Article no: 1696181304**

**Power supply: 440V 3Ph ~60Hz**

The chargrill is made of stainless steel and has raised edges on three sides to collect any spillage. The large model has two separately controlled heating zones. The grids are easily removable and the sides of the chargrill are smooth and easy to clean.

The chargrills can be positioned with the rear directly against a fireproof bulkhead. A stainless steel floor cabinet with adjustable legs, doors, and drawers is also available. The floor cabinet can be fitted with guide racks and grid shelves for Gastro-Norm 1/1.

### MAIN FEATURES

- Stainless Steel
- Thermostat Controlled
- Hygienic Design
- Grilling area 580x470 mm

CW-6 ETX, 1696181304

27-09-22 (12:08)

Subject to change without notice  
For correct installation, refer to the installation manual

## TECHNICAL DATA

CW-6 ETX, 1696181304, 27-09-22 (12:08)

<b>Model Number Specific</b>	CW-6 ETX
<b>Voltage (V)</b>	440
<b>Phase</b>	3
<b>Frequency (Hz)</b>	60
<b>Loading (kW)</b>	8
<b>Max Amps in Phase (A)</b>	15,5
<b>IP Class</b>	X5
<b>Width, net (mm)</b>	600
<b>Depth, net (mm)</b>	600
<b>Height, net (mm)</b>	305
<b>Weight, net (kg)</b>	56
<b>Weight, gross (kg)</b>	62
<b>Volume, net (m3)</b>	0,15
<b>Volume, gross (m3)</b>	0,19
<b>Connection Cable, lenght (m)</b>	0
<b>Plug type</b>	None
<b>Product brand</b>	Lotus
<b>Cooking surface, dimensions (mm)</b>	580x470
<b>Installation, type</b>	Top model

Loipart AB (HQ), **Sweden**  
Tel. +46 313 920 100, loipart@loipart.se

LMG Finland oy, **Finland**  
+358 40 664 6680, lmg@lmg.fi



Loipart USA inc, **USA**  
Tel. +1 954 530 5276, loipartusa@loipart.com

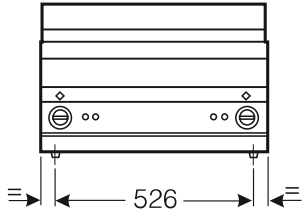
Loipart SEA Pte Ltd, **Singapore**  
Tel. +65 674 99 100, contact@loipart.sg

Visit us at [www.loipart.com](http://www.loipart.com)

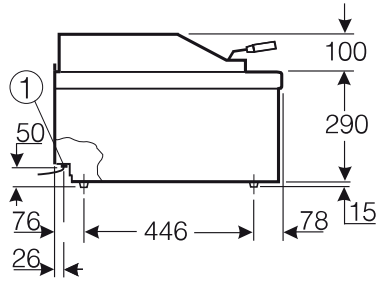
# DIMENSIONS

Model: 169618 Rev. 1

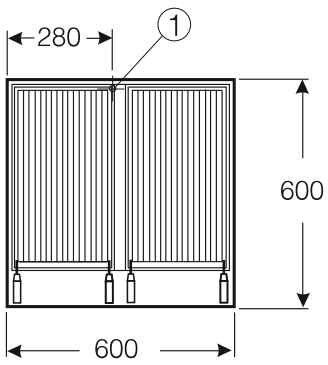
FRONT



SIDE



TOP



1. Electrical connection  
(1.5 m cable included)