



## GRIDDLE, SMOOTH/RIBBED, 800MM

**Model: E9IIMIAOMEA**

**Article no: 391359**

**Power supply: 230V 3Ph ~50/60Hz**

This griddle in the 900XP range is designed to guarantee the highest level of performance, reliability, energy-saving, safety standards, and ergonomic operation. The cooking surface is 1/3 ribbed and 2/3 smooth brushed chrome that is highly resistant to scratches and facilitates cleaning at the end of the day. A large drain hole on the cooking surface permits the draining of fat into a large collector placed under the cooking surface. The model is to be mounted on open base cupboards, bridging supports, or cantilever systems.

The griddle has electric elements in Incoloy positioned under the cooking plate. It features separate controls for each half module of the cooking surface, a safety thermostat, and thermostatic control. The design of the control knob system guarantees against water infiltration. The temperature can be set from 120° up to 280°C. A high stainless steel splash guards on the rear and sides of the cooking surface that can be easily removed for cleaning and are dishwasher-safe.

Note: handrail is available as an optional extra.

### MAIN FEATURES

- Smooth/ribbed cooking plate
- High level of performance and fast heat up time
- Safety thermostat and thermostatic control
- The unit is 930 mm deep to give a large working surface area
- Large drain hole for fat and grease
- Adjustable marine feet (50 mm)

E9IIMIAOMEA, 391359

27-09-22 (12:05)

## TECHNICAL DATA

E9IIMIAOMEA, 391359, 27-09-22 (12:05)

<b>Model Number Specific</b>	E9IIMIAOMEA
<b>Voltage (V)</b>	230
<b>Phase</b>	3
<b>Frequency (Hz)</b>	50/60
<b>Loading (kW)</b>	15
<b>Max Amps in Phase (A)</b>	15
<b>IP Class</b>	X5
<b>Width, net (mm)</b>	800
<b>Depth, net (mm)</b>	930
<b>Height, net (mm)</b>	250
<b>Weight, net (kg)</b>	105
<b>Weight, gross (kg)</b>	120
<b>Connection Cable, lenght (m)</b>	0
<b>Plug type</b>	None
<b>Product brand</b>	Electrolux Professional
<b>Cast iron pan</b>	No
<b>Cooking surface, dimensions (mm)</b>	730x700
<b>Front rail, included</b>	No
<b>Griddle/Grill, type</b>	Smooth, Ribbed
<b>Installation, type</b>	Top model
<b>Range, type</b>	Steel
<b>Temperature, max (°C)</b>	280

## INCLUDED IN DELIVERY

· 1 of Scraper for smooth plate fry tops (164255) · 1 of Scraper for ribbed plate fry tops - kit includes knife blades for both smooth and ribbed surface (206420)

Loipart AB (HQ), **Sweden**  
Tel. +46 313 920 100, loipart@loipart.se

LMG Finland oy, **Finland**  
+358 40 664 6680, lmg@lmg.fi



Loipart USA inc, **USA**  
Tel. +1 954 530 5276, loipartusa@loipart.com

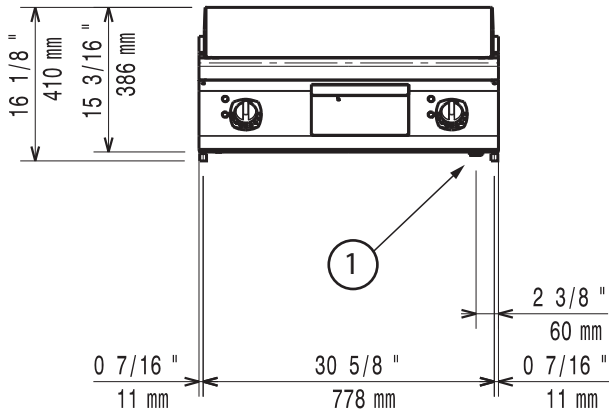
Loipart SEA Pte Ltd, **Singapore**  
Tel. +65 674 99 100, contact@loipart.sg

Visit us at [www.loipart.com](http://www.loipart.com)

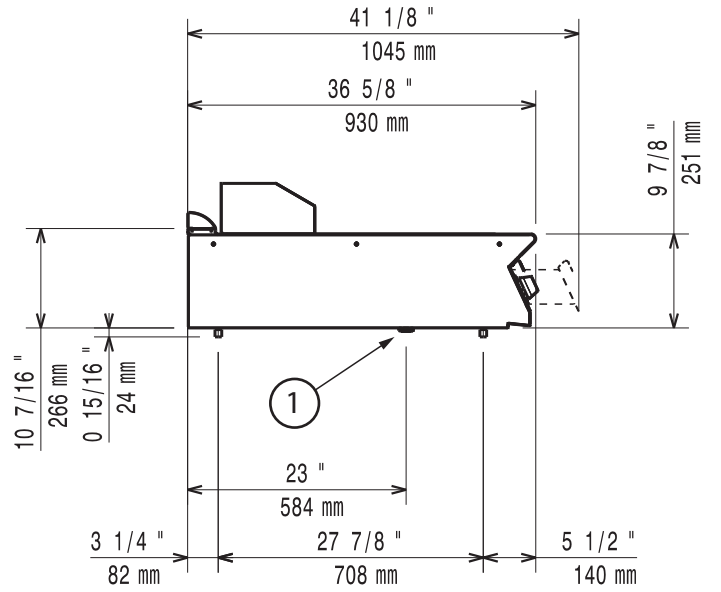
# DIMENSIONS

Model: E9IIMDAOMEA Rev. 2  
E9IIMIAOMEA

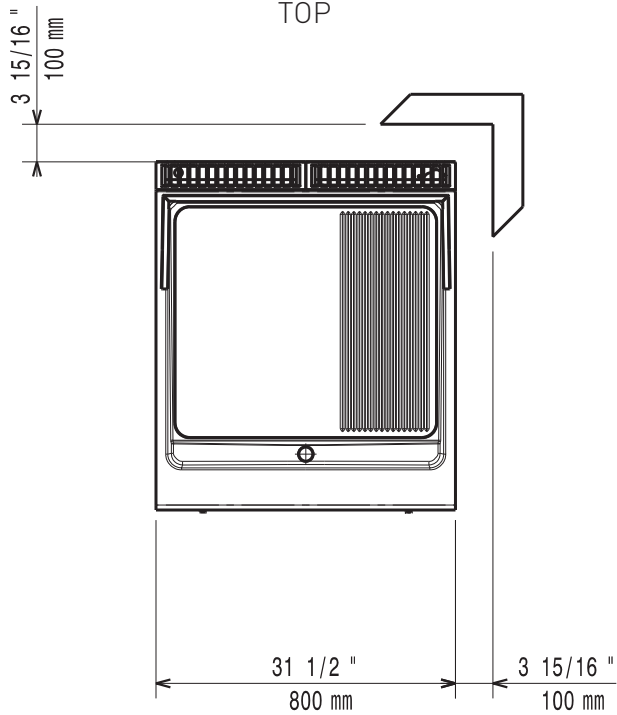
FRONT



SIDE



TOP



1. Electrical connection