



## GRIDDLE, SMOOTH/RIBBED, 600MM

**Model: FTLR-6 ETSX**

**Article no: L21029**

**Power supply: 400V 3Ph ~50Hz**

The griddles/grills are manufactured in three widths with tops in three designs - smooth, ribbed or smooth/ribbed tops of steel or chrome steel. The tops have raised edges and a fat drainage hole for excessive fat that collects in a fat tray which is emptied from the front. The griddles/grills are made of stainless steel. The front panel has clear and easily accessible controls. The sides of the griddles/grills are smooth and easy-to-clean.

The griddles/grills are connected to the mains supply at the rear using the supplied 1.5 meter cable. The griddles/grills can be positioned with the rear directly against a fireproof wall. A stainless steel floor cabinet with adjustable legs, doors and drawers is also available. The floor cabinet can be fitted with guide racks and grid shelves for Gastro-Norm 1/1. For further specifications of the different models and optional extras.

### MAIN FEATURES

- Stainless Steel
- Thermostat Controlled
- Hygienic Design
- Three Sizes

FTLR-6 ETSX, L21029  
27-09-22 (12:12)

## TECHNICAL DATA

FTLR-6 ETSX, L21029, 27-09-22 (12:12)

<b>Model Number Specific</b>	FTLR-6 ETSX
<b>Voltage (V)</b>	400
<b>Phase</b>	3
<b>Frequency (Hz)</b>	50
<b>Loading (kW)</b>	6
<b>Max Amps in Phase (A)</b>	13,5
<b>IP Class</b>	X5
<b>Width, net (mm)</b>	600
<b>Depth, net (mm)</b>	600
<b>Height, net (mm)</b>	415
<b>Weight, net (kg)</b>	54
<b>Weight, gross (kg)</b>	60
<b>Volume, net (m3)</b>	0,15
<b>Volume, gross (m3)</b>	0,19
<b>Product brand</b>	Lotus
<b>Cooking surface, dimensions (mm)</b>	560x560
<b>Installation, type</b>	Top model

Loipart AB (HQ), **Sweden**  
Tel. +46 313 920 100, loipart@loipart.se

LMG Finland oy, **Finland**  
+358 40 664 6680, lmg@lmg.fi



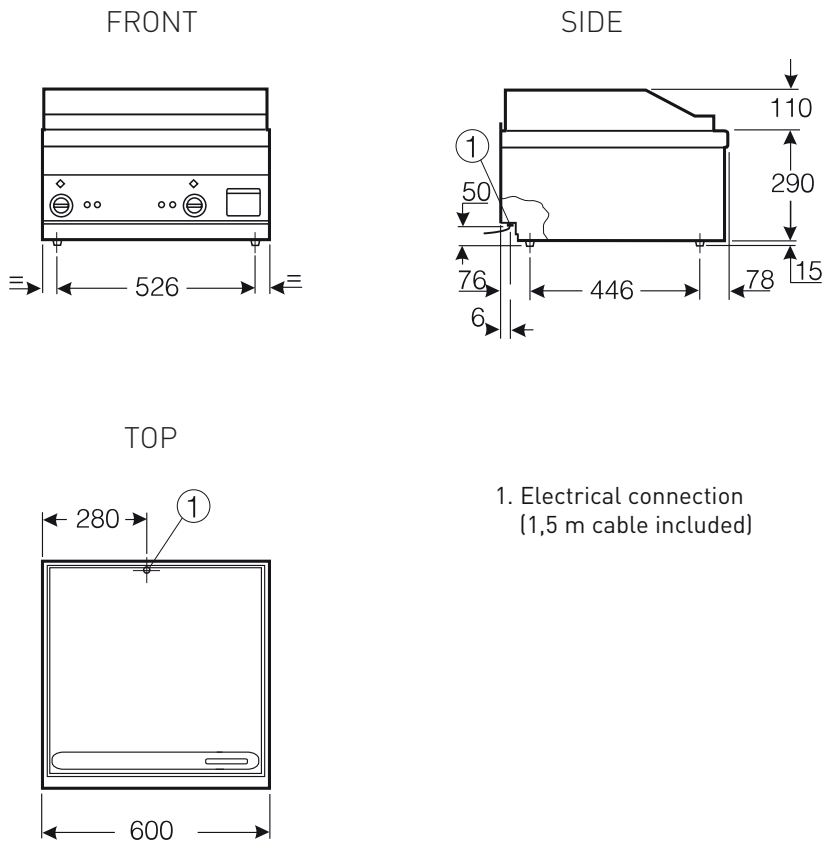
Loipart USA inc, **USA**  
Tel. +1 954 530 5276, loipartusa@loipart.com

Loipart SEA Pte Ltd, **Singapore**  
Tel. +65 674 99 100, contact@loipart.sg

Visit us at [www.loipart.com](http://www.loipart.com)

## DIMENSIONS

Model: 169601,169605,169606  
169607,169608,169609 Rev. 1



## SPECIFICATION

Model	Type	Frying plate	
		version	size mm
16 96 00	FTL4ETX	smooth	360 x 560
16 96 01	FTL6ETX		560 x 560
16 96 10	FTL8ETX		60 x 560
16 96 02	FTR4ETX	ribbed	360 x 560
16 96 06	FTR6ETX		560 x 560
16 96 05	FTLR6ETX	1/2 smooth and 1/2 ribbed	560 x 560
16 96 11	FTLR8ETX		760 x 560
16 96 03	FTL4ETSX	smooth chrome plated	360 x 560
16 96 07	FTL6ETSX		560 x 560
16 96 12	FTL8ETSX		760 x 560
16 96 04	FTR4ETSX	ribbed chrome plated	360 x 560
16 96 09	FTR6ETSX		560 x 560
16 96 08	FTLR6ETSX	1/2 smooth and 1/2 ribbed chrome plated	
16 99 33	FTLR8ETSX		760 x 560