



GRIDDLE, SMOOTH/RIBBED, 600MM

Model: FTLR-6 ETSX

Article no: 1696081304

Power supply: 440V 3Ph ~60Hz

The griddles/grills are manufactured in three widths with tops in three designs - smooth, ribbed or smooth/ribbed tops of steel or chrome steel. The tops have raised edges and a fat drainage hole for excessive fat that collects in a fat tray which is emptied from the front. The griddles/grills are made of stainless steel. The front panel has clear and easily accessible controls. The sides of the griddles/grills are smooth and easy-to-clean.

The griddles/grills are connected to the mains supply at the rear using the supplied 1.5 meter cable. The griddles/grills can be positioned with the rear directly against a fireproof wall. A stainless steel floor cabinet with adjustable legs, doors and drawers is also available. The floor cabinet can be fitted with guide racks and grid shelves for Gastro-Norm 1/1. For further specifications of the different models and optional extras.

MAIN FEATURES

- Stainless Steel
- Thermostat Controlled
- Hygienic Design
- Three Sizes

FTLR-6 ETSX, 1696081304
27-09-22 (12:12)

TECHNICAL DATA

FTLR-6 ETSX, 1696081304, 27-09-22 (12:12)

| | |
|---|-------------------------------|
| Model Number Specific | FTLR-6 ETSX |
| Voltage (V) | 440 |
| Phase | 3 |
| Frequency (Hz) | 60 |
| Loading (kW) | 6 |
| Max Amps in Phase (A) | 13,5 |
| IP Class | X5 |
| Width, net (mm) | 600 |
| Depth, net (mm) | 600 |
| Height, net (mm) | 415 |
| Weight, net (kg) | 54 |
| Weight, gross (kg) | 60 |
| Volume, net (m3) | 0,15 |
| Volume, gross (m3) | 0,19 |
| Connection Cable, lenght (m) | 0 |
| Plug type | None |
| Product brand | Lotus |
| Certifications | CE |
| Cooking surface, dimensions (mm) | 560x560 |
| Griddle/Grill, type | Smooth, Ribbed, Chrome plated |
| Installation, type | Top model |

Loipart AB (HQ), **Sweden**
Tel. +46 313 920 100, loipart@loipart.se

LMG Finland oy, **Finland**
+358 40 664 6680, lmg@lmg.fi



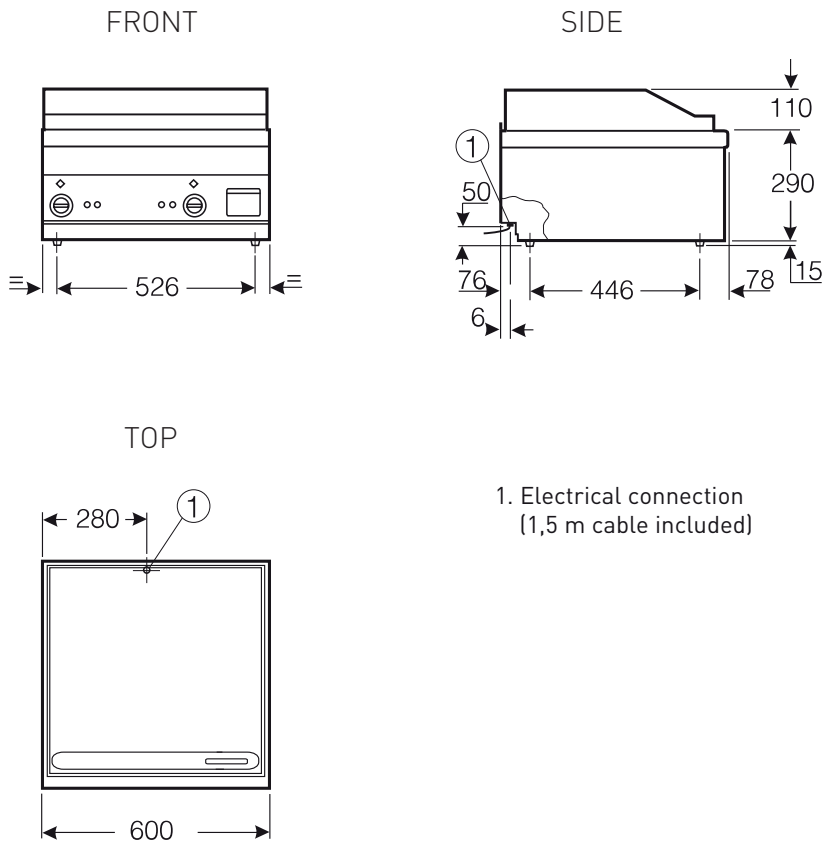
Loipart USA inc, **USA**
Tel. +1 954 530 5276, loipartusa@loipart.com

Loipart SEA Pte Ltd, **Singapore**
Tel. +65 674 99 100, contact@loipart.sg

Visit us at www.loipart.com

DIMENSIONS

Model: 169601,169605,169606
169607,169608,169609 Rev. 1



1. Electrical connection
[1,5 m cable included]

SPECIFICATION

| Model | Type | Frying plate | |
|----------|-----------|---|-----------|
| | | version | size mm |
| 16 96 00 | FTL4ETX | smooth | 360 x 560 |
| 16 96 01 | FTL6ETX | | 560 x 560 |
| 16 96 10 | FTL8ETX | | 60 x 560 |
| 16 96 02 | FTR4ETX | ribbed | 360 x 560 |
| 16 96 06 | FTR6ETX | | 560 x 560 |
| 16 96 05 | FTLR6ETX | 1/2 smooth and 1/2 ribbed | 560 x 560 |
| 16 96 11 | FTLR8ETX | | 760 x 560 |
| 16 96 03 | FTL4ETSX | smooth chrome plated | 360 x 560 |
| 16 96 07 | FTL6ETSX | | 560 x 560 |
| 16 96 12 | FTL8ETSX | | 760 x 560 |
| 16 96 04 | FTR4ETSX | ribbed chrome plated | 360 x 560 |
| 16 96 09 | FTR6ETSX | | 560 x 560 |
| 16 96 08 | FTLR6ETSX | 1/2 smooth and 1/2 ribbed chrome plated | |
| 16 99 33 | FTLR8ETSX | | 760 x 560 |