



GRIDDLE, SMOOTH, 800MM

Model: E9FTEHHS00

Article no: 391400

Power supply: 400V 3Ph ~50/60Hz

Smooth cooking griddle with a surface in brushed chrome that is highly resistant to scratches and facilitates cleaning operations at the end of the day. The top is to be mounted on open base cupboards, bridging supports or cantilever systems. A large drain hole on cooking surface permits the draining of fat into large collector placed under the cooking surface.

The model has electric elements in incoloy positioned under the cooking plate. It features separate controls for each half module of the cooking surface, a safety thermostat and thermostatic control. The design of the control knob system guarantees against water infiltration and the temperature can be set from 120° up to 280°C.

The griddle has high stainless steel splash guards on the rear and sides of cooking surface. These splash guards can be easily removed for cleaning and are dishwasher-safe.

Note: handrail is available as an optional extra.

MAIN FEATURES

- Smooth cooking plate
- High level of performance and fast heat up time
- Safety thermostat and thermostatic control
- Large drain hole for fat and grease

E9FTEHHS00, 391400

27-09-22 (12:05)

TECHNICAL DATA

E9FTEHHS00, 391400, 27-09-22 (12:05)

Model Number Specific	E9FTEHHS00
Voltage (V)	400
Phase	3
Frequency (Hz)	50/60
Loading (kW)	15
IP Class	X5
Width, net (mm)	800
Depth, net (mm)	930
Height, net (mm)	386
Weight, net (kg)	105
Weight, gross (kg)	120
Volume, net (m3)	0,29
Volume, gross (m3)	0,37
Connection Cable, lenght (m)	0
Plug type	None
Product brand	Electrolux Professional
Cast iron pan	No
Certifications	CE
Cooking surface, dimensions (mm)	730x700
Front rail, included	No
Griddle/Grill, type	Smooth, Chrome plated
Installation, type	Top model
Range, type	Steel

INCLUDED IN DELIVERY

1 of Scraper for smooth plate fry tops 1 of Stopper for fry top with a horizontal plate

Loipart AB (HQ), **Sweden**
Tel. +46 313 920 100, loipart@loipart.se

LMG Finland oy, **Finland**
+358 40 664 6680, lmg@lmg.fi



Loipart USA inc, **USA**
Tel. +1 954 530 5276, loipartusa@loipart.com

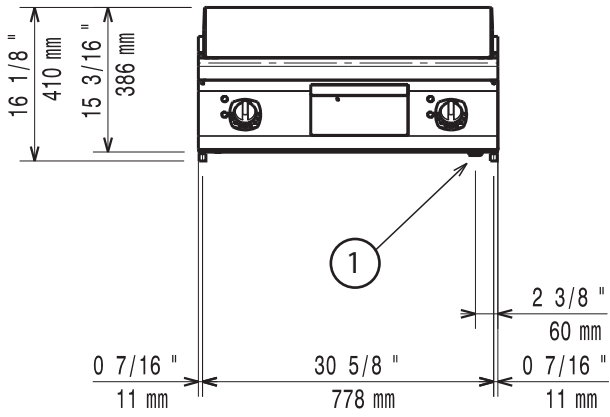
Loipart SEA Pte Ltd, **Singapore**
Tel. +65 674 99 100, contact@loipart.sg

Visit us at www.loipart.com

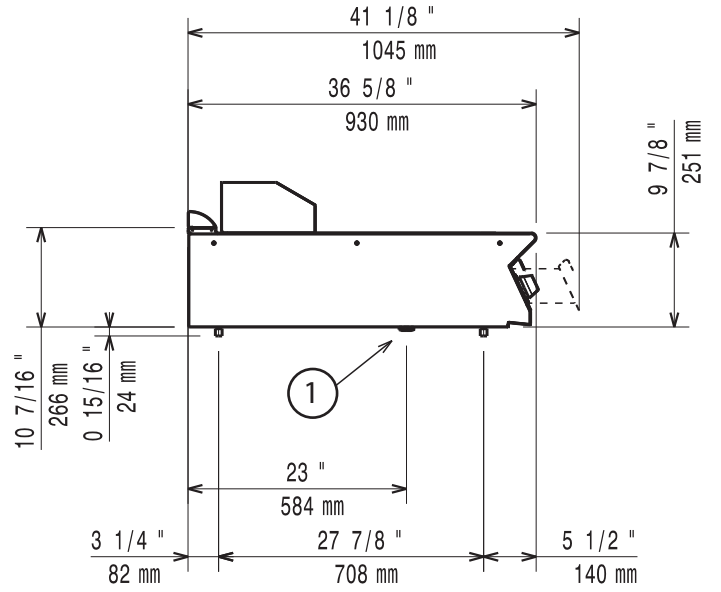
DIMENSIONS

Model: E9FTEHHS00 Rev. 1

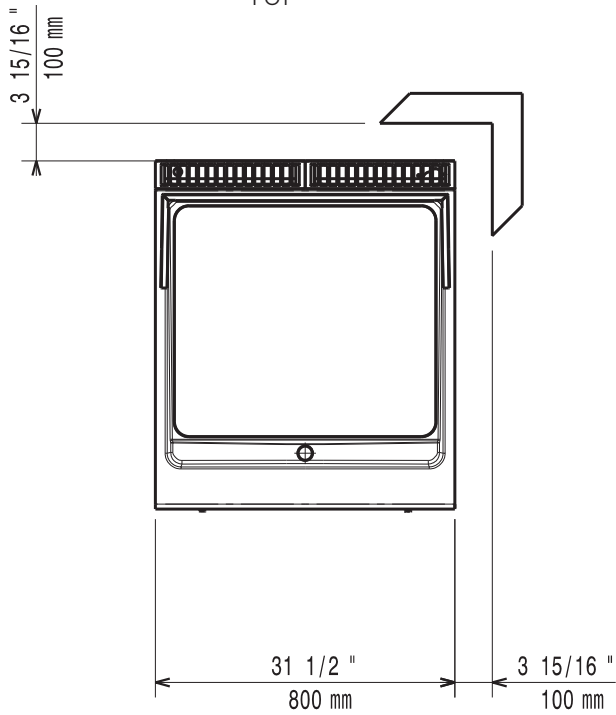
FRONT



SIDE



TOP



1. Electrical connection