



## GRIDDLE, SMOOTH, 800MM

**Model: FTL-8 ETSX**

**Article no: 1696121304**

**Power supply: 440V 3Ph ~60Hz**

The griddle/grill has a smooth top of steel or chrome steel. The top has raised edges and a fat drainage hole for excessive fat that collects in a fat tray which is emptied from the front. This model is made of stainless steel. The front panel has clear and easily accessible controls and the sides are smooth and easy to clean.

The griddles/grills can be positioned with the rear directly against a fireproof wall. A stainless steel floor cabinet with adjustable legs, doors, and drawers is also available. The floor cabinet can be fitted with guide racks and grid shelves for Gastro-Norm 1/1.

### MAIN FEATURES

- Stainless Steel
- Thermostat Controlled
- Hygienic Design
- Frying area 760x560 mm

FTL-8 ETSX, 1696121304  
27-09-22 (12:11)

Subject to change without notice  
For correct installation, refer to the installation manual

## TECHNICAL DATA

FTL-8 ETSX, 1696121304, 27-09-22 (12:11)

<b>Model Number Specific</b>	FTL-8 ETSX
<b>Voltage (V)</b>	440
<b>Phase</b>	3
<b>Frequency (Hz)</b>	60
<b>Loading (kW)</b>	9
<b>Max Amps in Phase (A)</b>	20
<b>IP Class</b>	X5
<b>Width, net (mm)</b>	800
<b>Depth, net (mm)</b>	600
<b>Height, net (mm)</b>	415
<b>Weight, net (kg)</b>	70
<b>Weight, gross (kg)</b>	77
<b>Volume, net (m3)</b>	0,2
<b>Volume, gross (m3)</b>	0,26
<b>Connection Cable, lenght (m)</b>	0
<b>Plug type</b>	None
<b>Product brand</b>	Lotus
<b>Certifications</b>	CE
<b>Cooking surface, dimensions (mm)</b>	760x560
<b>Griddle/Grill, type</b>	Smooth, Chrome plated
<b>Installation, type</b>	Top model

Loipart AB (HQ), **Sweden**  
Tel. +46 313 920 100, loipart@loipart.se

LMG Finland oy, **Finland**  
+358 40 664 6680, lmg@lmg.fi



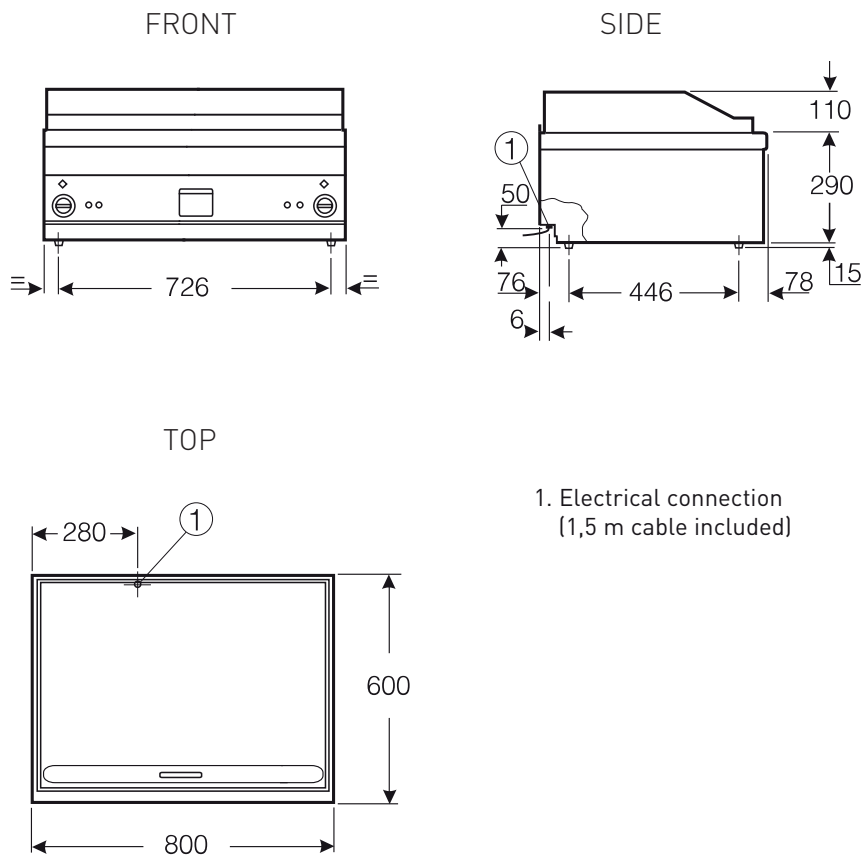
Loipart USA inc, **USA**  
Tel. +1 954 530 5276, loipartusa@loipart.com

Loipart SEA Pte Ltd, **Singapore**  
Tel. +65 674 99 100, contact@loipart.sg

Visit us at [www.loipart.com](http://www.loipart.com)

## DIMENSIONS

Model: 169610, 169611, 169612 Rev. 1  
169933



## SPECIFICATION

Model	Type	Frying plate	
		version	size mm
16 96 00	FTL4ETX	smooth	360 x 560
16 96 01	FTL6ETX		560 x 560
16 96 10	FTL8ETX		60 x 560
16 96 02	FTR4ETX	ribbed	360 x 560
16 96 06	FTR6ETX		560 x 560
16 96 05	FTLR6ETX	1/2 smooth and 1/2 ribbed	560 x 560
16 96 11	FTLR8ETX		760 x 560
16 96 03	FTL4ETSX	smooth chrome plated	360 x 560
16 96 07	FTL6ETSX		560 x 560
16 96 12	FTL8ETSX		760 x 560
16 96 04	FTR4ETSX	ribbed chrome plated	360 x 560
16 96 09	FTR6ETSX		560 x 560
16 96 08	FTLR6ETSX	1/2 smooth and 1/2 ribbed chrome plated	
16 99 33	FTLR8ETSX		