



GRIDDLE, RIBBED, 600MM

Model: FTR-6 ETX

Article no: 1696061304

Power supply: 440V 3Ph ~60Hz

The griddles/grills are manufactured in three widths with tops in three designs - smooth, ribbed or smooth/ribbed tops of steel or chrome steel. The tops have raised edges and a fat drainage hole for excessive fat that collects in a fat tray which is emptied from the front. The griddles/grills are made of stainless steel. The front panel has clear and easily accessible controls. The sides of the griddles/grills are smooth and easy-to-clean.

The griddles/grills are connected to the mains supply at the rear using the supplied 1.5 meter cable. The griddles/grills can be positioned with the rear directly against a fireproof wall. A stainless steel floor cabinet with adjustable legs, doors and drawers is also available. The floor cabinet can be fitted with guide racks and grid shelves for Gastro-Norm 1/1. For further specifications of the different models and optional extras.

MAIN FEATURES

- Stainless Steel
- Thermostat Controlled
- Hygienic Design
- Three Sizes

FTR-6 ETX, 1696061304
27-09-22 (12:13)

TECHNICAL DATA

FTR-6 ETX, 1696061304, 27-09-22 (12:13)

Model Number Specific	FTR-6 ETX
Voltage (V)	440
Phase	3
Frequency (Hz)	60
Loading (kW)	6
Max Amps in Phase (A)	13,5
IP Class	X5
Width, net (mm)	600
Depth, net (mm)	600
Height, net (mm)	415
Weight, net (kg)	54
Weight, gross (kg)	60
Volume, net (m3)	0,15
Volume, gross (m3)	0,19
Connection Cable, lenght (m)	0
Plug type	None
Product brand	Lotus
Certifications	CE
Cooking surface, dimensions (mm)	560x560
Griddle/Grill, type	Ribbed
Installation, type	Top model

Loipart AB (HQ), **Sweden**
Tel. +46 313 920 100, loipart@loipart.se

LMG Finland oy, **Finland**
+358 40 664 6680, lmg@lmg.fi



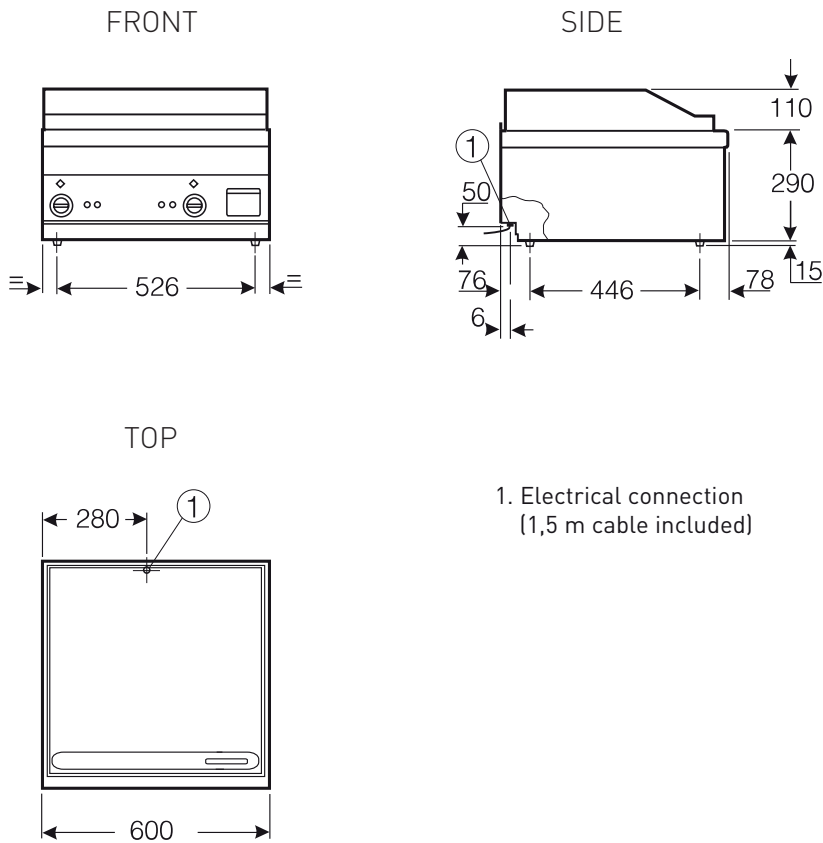
Loipart USA inc, **USA**
Tel. +1 954 530 5276, loipartusa@loipart.com

Loipart SEA Pte Ltd, **Singapore**
Tel. +65 674 99 100, contact@loipart.sg

Visit us at www.loipart.com

DIMENSIONS

Model: 169601,169605,169606
169607,169608,169609 Rev. 1



SPECIFICATION

Model	Type	Frying plate	
		version	size mm
16 96 00	FTL4ETX	smooth	360 x 560
16 96 01	FTL6ETX		560 x 560
16 96 10	FTL8ETX		60 x 560
16 96 02	FTR4ETX	ribbed	360 x 560
16 96 06	FTR6ETX		560 x 560
16 96 05	FTLR6ETX	1/2 smooth and 1/2 ribbed	560 x 560
16 96 11	FTLR8ETX		760 x 560
16 96 03	FTL4ETSX	smooth chrome plated	360 x 560
16 96 07	FTL6ETSX		560 x 560
16 96 12	FTL8ETSX		760 x 560
16 96 04	FTR4ETSX	ribbed chrome plated	360 x 560
16 96 09	FTR6ETSX		560 x 560
16 96 08	FTLR6ETSX	1/2 smooth and 1/2 ribbed chrome plated	
16 99 33	FTLR8ETSX		760 x 560