



GRIDDLE, RIBBED, 400MM

Model: E7IIKIAOMCA

Article no: 371321V23035060R

Power supply: 230V 3Ph ~50/60Hz

E7IIKIAOMCA, 371321V23035060R
27-09-22 (12:05)

TECHNICAL DATA

E7IIKIAOMCA, 371321V23035060R, 27-09-22 (12:05)

Model Number Specific	E7IIKIAOMCA
Voltage (V)	230
Phase	3
Frequency (Hz)	50/60
Loading (kW)	3,9
Width, net (mm)	400
Depth, net (mm)	730
Height, net (mm)	250
Weight, net (kg)	40
Weight, gross (kg)	47
Volume, net (m3)	0,07
Volume, gross (m3)	0,09
Connection Cable, lenght (m)	0
Plug type	None
Product brand	Electrolux Professional
Certifications	CE
Griddle/Grill, type	Ribbed, Chrome plated
Installation, type	Top model

Loipart AB (HQ), **Sweden**
Tel. +46 313 920 100, loipart@loipart.se

LMG Finland oy, **Finland**
+358 40 664 6680, lmg@lmg.fi



Loipart USA inc, **USA**
Tel. +1 954 530 5276, loipartusa@loipart.com

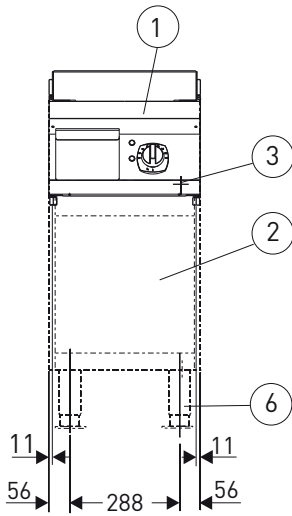
Loipart SEA Pte Ltd, **Singapore**
Tel. +65 674 99 100, contact@loipart.sg

Visit us at www.loipart.com

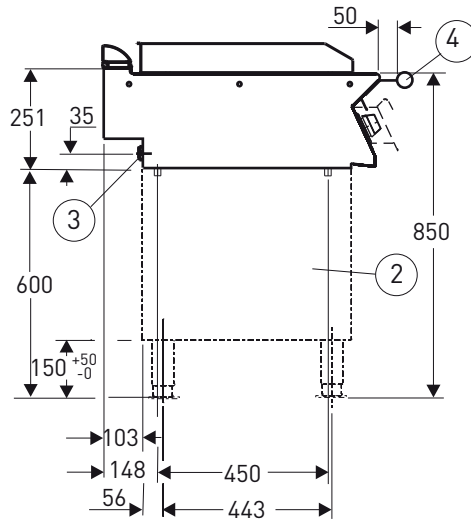
DIMENSIONS

Model: E7FTMDSR Rev. 2

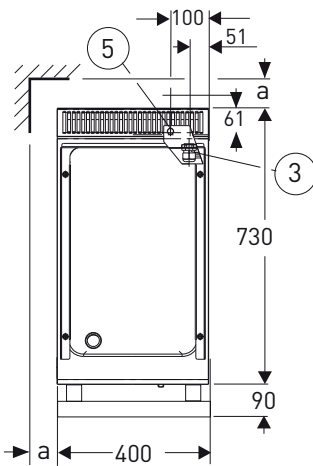
FRONT



SIDE



TOP



1. Fry top
2. Open base (optinal)
3. Electrical connection
4. Front hand rail (optional)
5. Equipotential screw
6. Marine legs

a=free space at least 100 mm

DETAIL MARINE FOOT

