



DOUGH DIVIDER ROUNDER, SEMI-AUTOMATIC, 30 DIV.

Model: Piccolo Size 4

Article no: LT0738

Power supply: 440V 3Ph ~60Hz

Quick and easy to use dough divider rounder, constructed according to the latest standards of bakery technology. It divides all common sorts of dough and forming optimally rounded pieces every time.

The piccolo dough divider rounder is easy to use, even by non-skilled workers. The prepared batch of dough, which has rested for about 10 – 15 minutes, is placed on the moulding plate and then inserted into the machine. By pressing the lever down, the dough is evenly pressed onto the moulding plate. Then, by pulling the dividing lever down, the dividing knife is activated, which divides the dough into small pieces of equal weight. Finally, the moulding, of the dough pieces, can be gently controlled with the moulding lever.

The piccolo requires low maintenance and is easy to clean. The upper covers are removable so that for cleaning, you have easy access to the rust-free light-metal dividing head. The removable stainless steel dividing knife also makes it easy to clean!

MAIN FEATURES

- Handles up to 4kg dough
- IP54 (motor protection)
- 2 moulding plates included
- Easy to clean
- Low maintenance

Piccolo Size 4, LT0738

16-01-24 (17:51)

Subject to change without notice
For correct installation, refer to the installation manual

TECHNICAL DATA

Piccolo Size 4, LT0738, 16-01-24 (17:51)

Model Number Specific	Piccolo Size 4
Voltage (V)	440
Phase	3
Frequency (Hz)	60
Loading (kW)	0,55
Max Amps in Phase (A)	1,4
IP Class	54
Capacity, dough (kg)	4
Width, net (mm)	600
Depth, net (mm)	490
Height, net (mm)	1530
Weight, net (kg)	250
Weight, gross (kg)	325
Volume, net (m3)	0,5
Volume, gross (m3)	0,65

Loipart AB (HQ), **Sweden**
Tel. +46 313 920 100, loipart@loipart.se

LMG Finland oy, **Finland**
+358 40 664 6680, lmg@lmg.fi



Loipart USA inc, **USA**
Tel. +1 954 530 5276, loipartusa@loipart.com

Loipart SEA Pte Ltd, **Singapore**
Tel. +65 674 99 100, contact@loipart.sg

Visit us at www.loipart.com

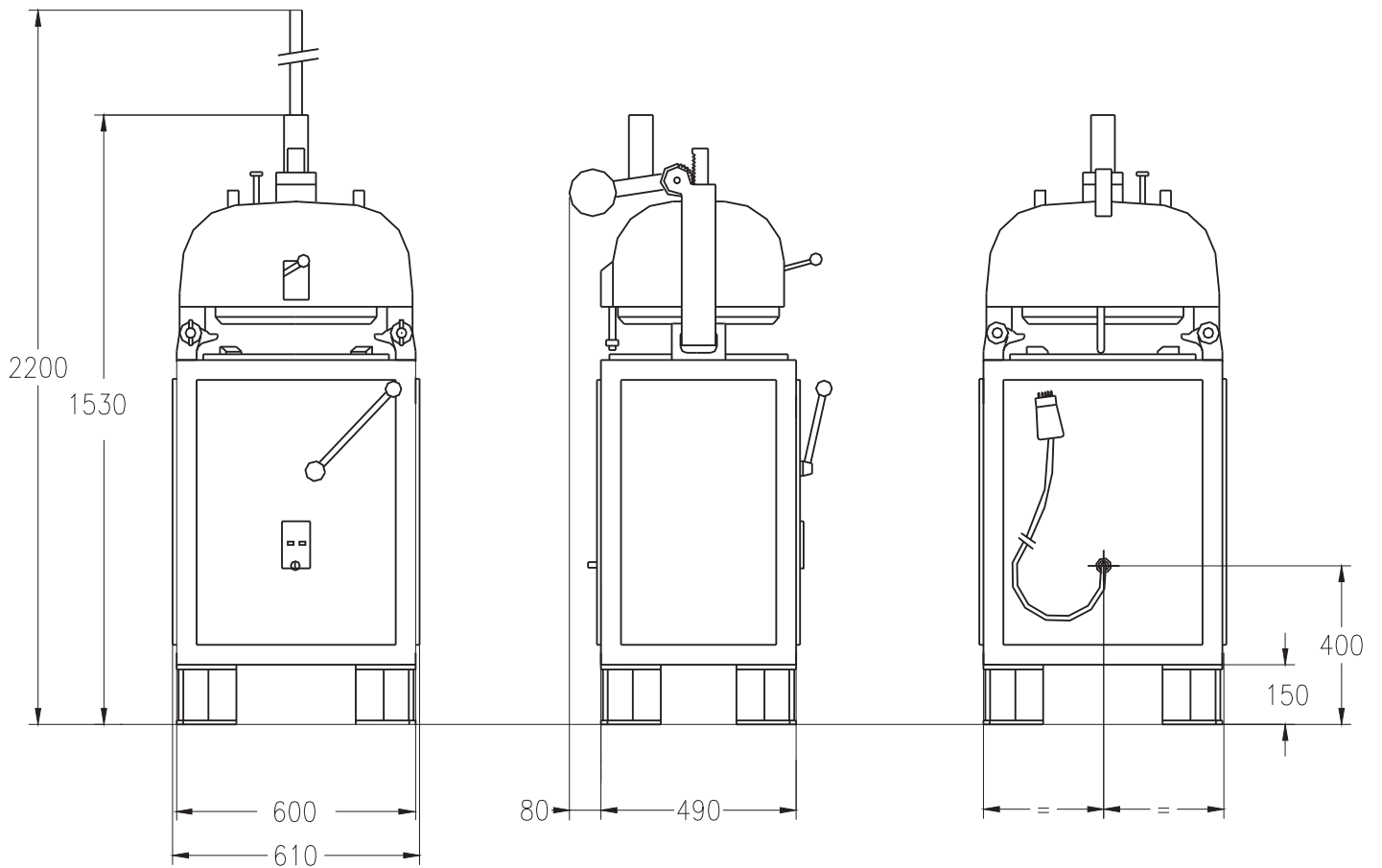
DIMENSIONS

Model: *Piccolo Size 3* *Rev. 1*
Piccolo Size 4

FRONT

SIDE

BACK



POSITION OF FEET

