



## DEEP FAT FRYER

**Model: FQ-6 ETXS**

**Article no: 1696221304**

**Power supply: 440V 3Ph ~60Hz**

The deep fat fryers are made of stainless steel. The top has raised edges on three sides to collect any spillage. The deep fat fryers are equipped with overheating protection and an oil drainage valve, which is fitted with the supplied drainage pipe. The deep fat fryers are manufactured in widths of 400 resp. 600 mm and are supplied with one or two frying baskets. The front panel has clear and easily accessible controls. The sides of the range are smooth and easy-to-clean. The deep fat fryers are connected to the mains supply at the rear. The deep fat fryers can be positioned with the back directly against a fireproof bulkhead.

A stainless steel floor cabinet with doors and drawers is also available. The floor cabinet can be fitted with guide racks and grid shelves for Gastro-Norm 1/1.

### MAIN FEATURES

- Stainless Steel Construction
- Thermostat Controlled
- With Overheating Protection
- Hygienic Design
- Two Sizes
- Solas Certified

FQ-6 ETXS, 1696221304  
07-10-22 (12:05)

Subject to change without notice  
For correct installation, refer to the installation manual

## TECHNICAL DATA

FQ-6 ETXS, 1696221304, 07-10-22 (12:05)

<b>Model Number Specific</b>	FQ-6 ETXS
<b>Voltage (V)</b>	440
<b>Phase</b>	3
<b>Frequency (Hz)</b>	60
<b>Loading (kW)</b>	14,3
<b>Max Amps in Phase (A)</b>	18,8
<b>Fuse (A)</b>	20
<b>IP Class</b>	X4
<b>Capacity (L)</b>	18
<b>Width, net (mm)</b>	600
<b>Depth, net (mm)</b>	600
<b>Height, net (mm)</b>	305
<b>Weight, net (kg)</b>	31
<b>Weight, gross (kg)</b>	37
<b>Volume, net (m3)</b>	0,16
<b>Volume, gross (m3)</b>	0,21
<b>Connection Cable, lenght (m)</b>	0
<b>Plug type</b>	None
<b>Product brand</b>	Lotus
<b>Drain pipe, diameter (")</b>	G3/4
<b>SOLAS approved</b>	Yes

## INCLUDED IN DELIVERY

2 frying baskets.

Loipart AB (HQ), **Sweden**  
Tel. +46 313 920 100, loipart@loipart.se

LMG Finland oy, **Finland**  
+358 40 664 6680, lmg@lmg.fi

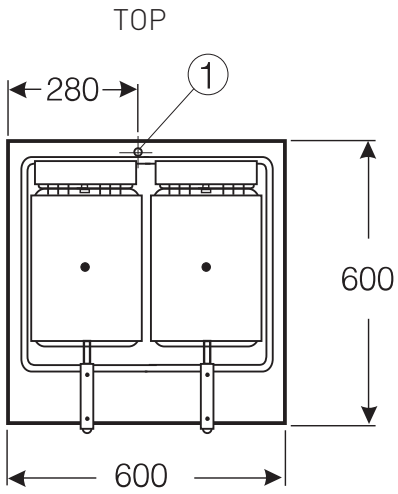
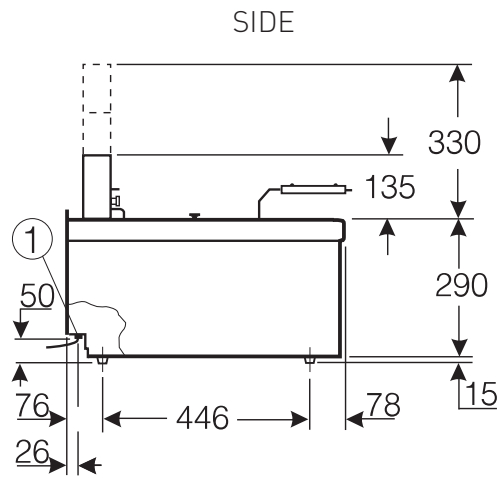
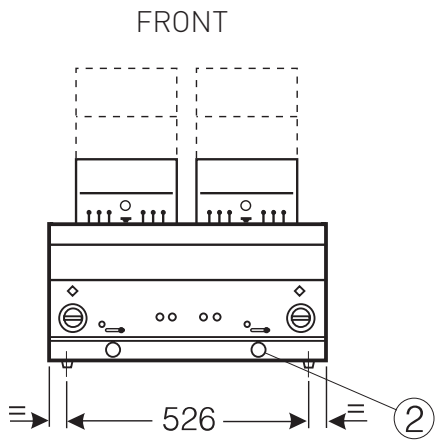


Loipart USA inc, **USA**  
Tel. +1 954 530 5276, loipartusa@loipart.com

Loipart SEA Pte Ltd, **Singapore**  
Tel. +65 674 99 100, contact@loipart.sg

Visit us at [www.loipart.com](http://www.loipart.com)

# DIMENSIONS



- 1. Electrical connection
- 2. Drain pipe