



## COOKING TOP, SINGLE INDUCTION ZONE

**Model: E1HDEEOMCS**

**Article no: 600877**

**Power supply: 230V 1Ph ~50-60Hz**

A plug-in induction cooking top with a sealed heavy-duty glass-ceramic cooking surface. The induction creates a rapid heat transfer directly to the pan; no heat is dispersed into the environment. And the automatic pan detection means power is only transferred when the pan is present.

The model is designed for tabletop installations and has a glass touch display on top for maximum visibility and a 2-color user interface (white and red) for better readability.

The timer function can be used to set the cooking time, switching off the zone automatically at the end of the time set. And the self-diagnostics function makes the user aware of any dysfunction by showing an error code in the display.

Induction air filters are easy to clean and remove for monthly cleaning.

### MAIN FEATURES

- IPx4 water protection
- Power level settings from 1 to 10
- Suitable for pot and pan with diameter from 120 mm to 340 mm

E1HDEEOMCS, 600877

08-09-22 (10:54)

## TECHNICAL DATA

E1HDEEOMCS, 600877, 08-09-22 (10:54)

<b>Model Number Specific</b>	E1HDEEOMCS
<b>Voltage (V)</b>	230
<b>Phase</b>	1
<b>Frequency (Hz)</b>	50-60
<b>Loading (kW)</b>	3,5
<b>Fuse (A)</b>	13
<b>IP Class</b>	X4
<b>Width, net (mm)</b>	400
<b>Depth, net (mm)</b>	600
<b>Height, net (mm)</b>	152
<b>Weight, net (kg)</b>	19,5
<b>Weight, gross (kg)</b>	23
<b>Volume, net (m3)</b>	0,04
<b>Volume, gross (m3)</b>	0,05
<b>Connection Cable, lenght (m)</b>	1,2
<b>Plug type</b>	Schuko
<b>Product brand</b>	Electrolux Professional
<b>Installation, type</b>	Table top model
<b>Noise level &lt;(dB)</b>	70
<b>Range, type</b>	Induction

Loipart AB (HQ), **Sweden**  
Tel. +46 313 920 100, loipart@loipart.se

LMG Finland oy, **Finland**  
+358 40 664 6680, lmg@lmg.fi



Loipart USA inc, **USA**  
Tel. +1 954 530 5276, loipartusa@loipart.com

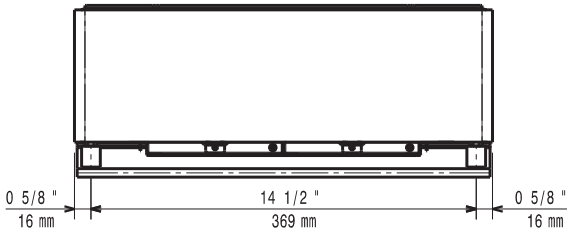
Loipart SEA Pte Ltd, **Singapore**  
Tel. +65 674 99 100, contact@loipart.sg

Visit us at [www.loipart.com](http://www.loipart.com)

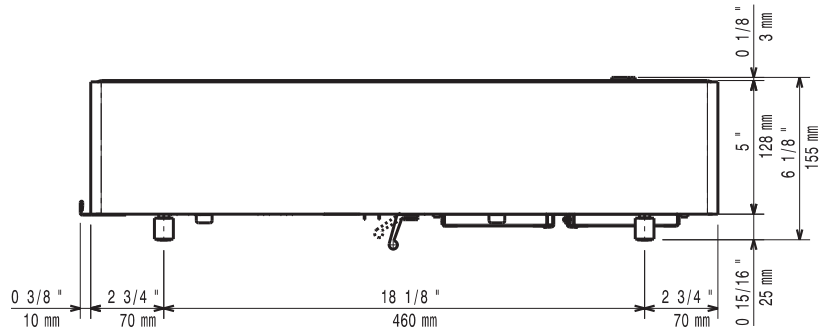
# DIMENSIONS

Model: E1HDEEOMCS Rev. 1

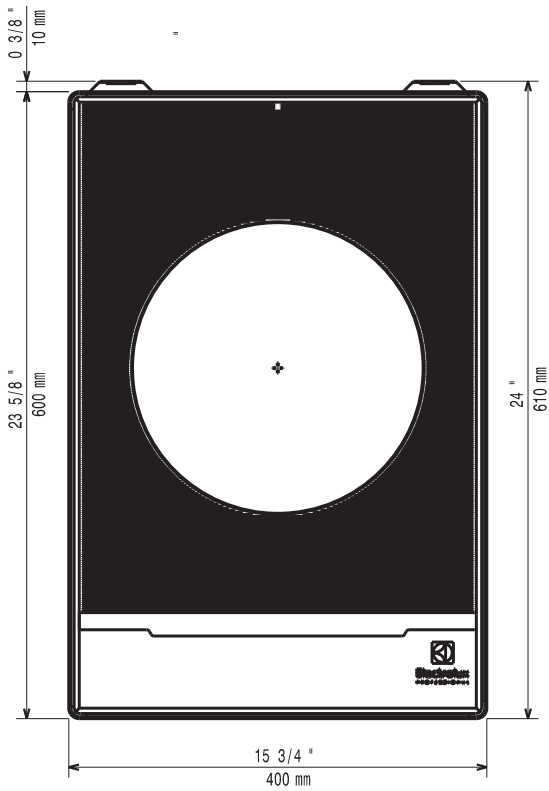
FRONT



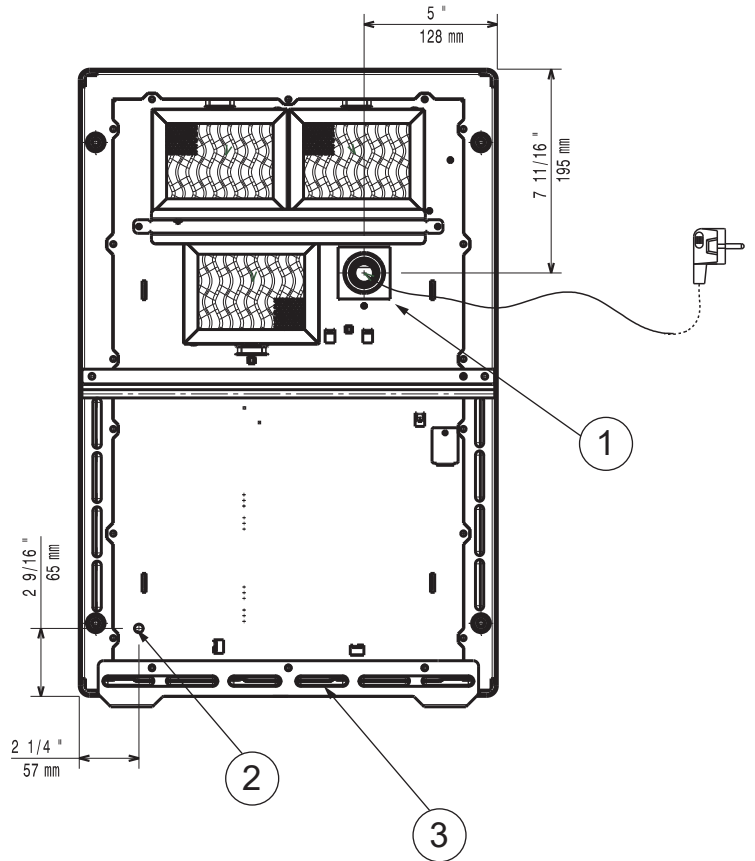
SIDE



TOP



BOTTOM



- 1. Electrical connection
- 2. Equipotential screw
- 3. Air outlet