



COOKING TOP CERAMIC

Model: PCC-6 EMX

Article no: 1695911304

Power supply: 230V 1Ph ~50/60Hz

Ranges with glass ceramic hot plates have two respective four thermostat controlled, marked cooking areas and are manufactured in two widths - 400 and 600 mm. The ranges are made of stainless steel with a galvanized bottom plate. The front panel has clear and easily accessible controls. The cook-top has raised edges on three sides to collect any spillage. The sides of the range are smooth and easy to clean.

The ranges are connected to the mains supply at the rear using the supplied 1.5 meter cable. The ranges can be positioned with the rear directly against a fireproof wall. A stainless steel floor cabinet with doors and drawers is also available. The floor cabinet can be fitted with guide racks and grid shelves for Gastro-Norm1/1. The floor cabinet has adjustable legs. For further specifications of the different models as well as optional extras.

MAIN FEATURES

- Stainless Steel
- Ceramic Hot Plate
- Thermostat Controlled Cooking Area
- Hygienic Design
- Energy Saving Heating
- Quick and Effective Heat Transfer
- Two Sizes

PCC-6 EMX, 1695911304
07-09-22 (16:46)

TECHNICAL DATA

PCC-6 EMX, 1695911304, 07-09-22 (16:46)

Model Number Specific	PCC-6 EMX
Voltage (V)	230
Phase	1
Frequency (Hz)	50/60
Loading (kW)	7
Max Amps in Phase (A)	30,5
Width, net (mm)	600
Depth, net (mm)	600
Height, net (mm)	305
Weight, net (kg)	23
Weight, gross (kg)	29
Volume, net (m3)	0,1
Volume, gross (m3)	0,14
Connection Cable, lenght (m)	0
Plug type	None
Product brand	Lotus
Hot plate, qty (pcs)	4
Induction/ceramic dimensions (mm)	580x460
Induction/ceramic zones, qty (pcs)	1
Range, type	Ceramic

Loipart AB (HQ), **Sweden**
Tel. +46 313 920 100, loipart@loipart.se

LMG Finland oy, **Finland**
+358 40 664 6680, lmg@lmg.fi



Loipart USA inc, **USA**
Tel. +1 954 530 5276, loipartusa@loipart.com

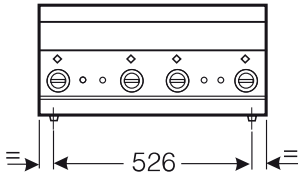
Loipart SEA Pte Ltd, **Singapore**
Tel. +65 674 99 100, contact@loipart.sg

Visit us at www.loipart.com

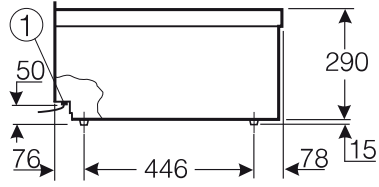
DIMENSIONS

Model: 169591 Rev. 1

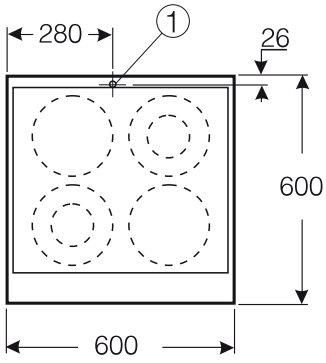
FRONT



SIDE



TOP



1. Electrical connection
(1.5 m cable included)