



COOKING TOP, 4 ZONES AND OPEN CUPBOARD

Model: MCLXEAJ1DM

Article no: 589878TC

Power supply: 440V 3Ph ~60Hz

Freestanding premium cooking top with open cabinet. The solid top made of smooth, pore-free, steel. Two independently controlled heating zones with two electronic sensors per zone and eight power levels. Rapid plate heat-up, continuously ready to use. Overheat protection switches off the supply in case of overheating. Standby function saves energy and quickly recovers maximum power.

THERMODUL connection system creates a seamless worktop when units are connected, thus avoiding soil penetrating vital components and facilitating the removal of units in case of replacement or service.

The design of the controls prevents infiltration and have embedded hygienic silicone "soft" grip for easier handling and cleaning.

The model is fitted with a large visible digital display manufactured in tempered glass to resist heat and chemicals, showing temperatures or power settings. The display also shows on/off status of the appliance and the heating elements.

Test

MAIN FEATURES

- 4 heating zones independently controlled.
- Rapid heat-up of the plate and continuously ready for use.
- Overheat protection
- Pans can easily be moved from one area to another without lifting.
- Solid top cooking surface made of 20 mm thick steel, DIN 1.7335, smooth pore-free and easy to clean.
- Wide rounded cleaning zone around the plates.
- IPX5 water resistance certification.
- All major components are accessible from the front.
- Standby function for energy saving
- Cooking plate and base joint profile
- Two electronic sensors per zone to control surface.
- 8 power levels.

MCLXEAJ1DM, 589878TC

08-09-22 (11:02)

Subject to change without notice
For correct installation, refer to the installation manual

TECHNICAL DATA

MCLXEAJ1DM, 589878TC, 08-09-22 (11:02)

Model Number Specific	MCLXEAJ1DM
Voltage (V)	440
Phase	3
Frequency (Hz)	60
Loading (kW)	16
Max Amps in Phase (A)	26
IP Class	X5
Width, net (mm)	1000
Depth, net (mm)	900
Height, net (mm)	900
Weight, net (kg)	193
Weight, gross (kg)	205
Volume, net (m3)	0,81
Volume, gross (m3)	1,1
Product brand	Electrolux Professional Thermaline
Induction/ceramic zones, qty (pcs)	4
Noise level <(dB)	65
Range, type	Steel
USPH	Yes

Loipart AB (HQ), **Sweden**
Tel. +46 313 920 100, loipart@loipart.se

LMG Finland oy, **Finland**
+358 40 664 6680, lmg@lmg.fi



Loipart USA inc, **USA**
Tel. +1 954 530 5276, loipartusa@loipart.com

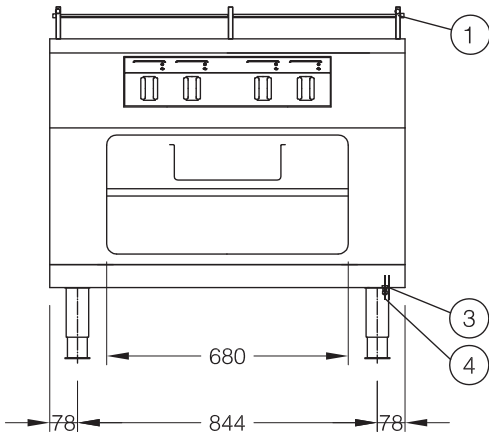
Loipart SEA Pte Ltd, **Singapore**
Tel. +65 674 99 100, contact@loipart.sg

Visit us at www.loipart.com

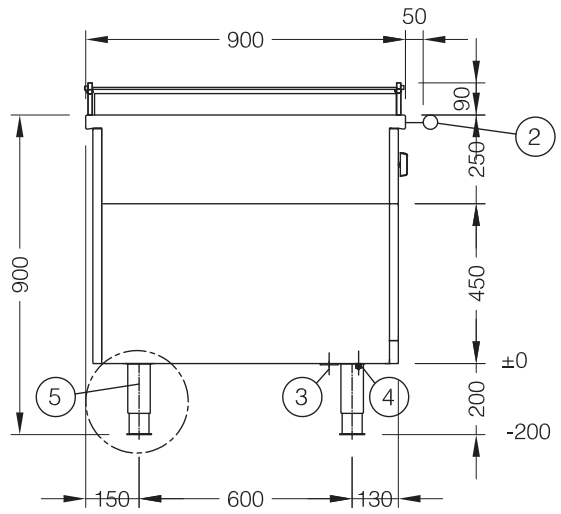
DIMENSIONS

Model: MCLXEAJ1DM Rev. 2

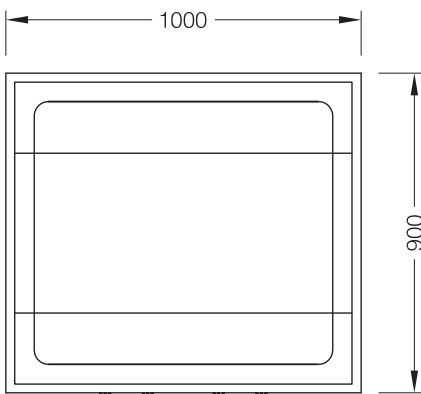
FRONT



SIDE

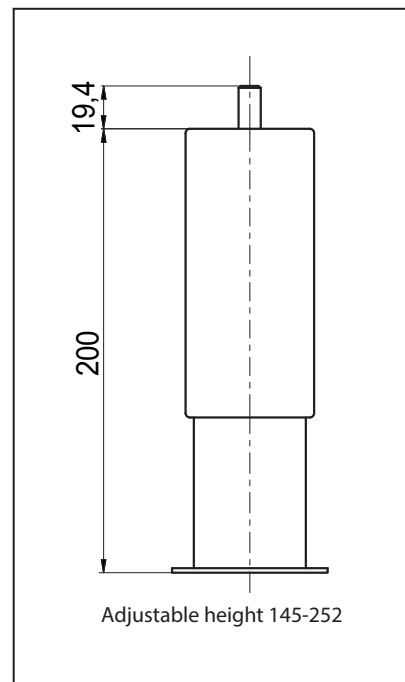


TOP



- 1. Rolling racks
- 2. Hand rail
- 3. Electrical connection
- 4. Equipotential screw
- 5. Marine legs

DETAIL MARINE FOOT



BACK

