



COOKING TOP, 4 HOT PLATES

Model: E7ECEH4Q

Article no: 371017M50

Power supply: 400V 3Ph ~50/60Hz

The 700XP series is designed to guarantee the highest level of performance, reliability, energy saving, safety standards and ergonomic operation.

This cooking top is to be mounted on an open base cupboard, bridging support or cantilever system.

Four hermetically sealed 2.6kW cast-iron plates on a one-piece pressed 1.5 mm stainless steel worktop. The design of the control knob system guarantees against water infiltration. Right-angled side edges allow flush-fitting joints between units, eliminating gaps and possible dirt traps.

MAIN FEATURES

- Four square 2.6kW cast-iron plates
- IPX 4 water protection
- All exterior panels in Stainless Steel with Scotch Brite finishing
- One-piece pressed 1.5 mm stainless steel worktop

E7ECEH4Q, 371017M50

08-09-22 (09:30)

Subject to change without notice
For correct installation, refer to the installation manual

TECHNICAL DATA

E7ECEH4Q, 371017M50, 08-09-22 (09:30)

Model Number Specific	E7ECEH4Q
Voltage (V)	400
Phase	3
Frequency (Hz)	50/60
Loading (kW)	10,4
Max Amps in Phase (A)	17,5
IP Class	X4
Width, net (mm)	800
Depth, net (mm)	730
Height, net (mm)	250
Weight, net (kg)	40
Weight, gross (kg)	48
Volume, net (m3)	0,43
Volume, gross (m3)	0,56
Product brand	Electrolux Professional
Adapted for container sizes	None
Cast iron pan	Yes
Front rail, included	Yes
Hot plate dimensions (mm)	230x230
Hot Plate loading (kW)	2,6
Hot plate, qty (pcs)	4
Hot plate, type	Square
Installation, type	Table top model
Noise level <(dB)	70
Oven, included	No
Range, type	Cast Iron
Timer	No
Touch control	No

INCLUDED IN DELIVERY

- Rolling rack • Front hand rail 216047

Loipart AB (HQ), Sweden
Tel. +46 313 920 100, loipart@loipart.se

LMG Finland oy, Finland
+358 40 664 6680, lmg@lmg.fi



Loipart USA inc, USA
Tel. +1 954 530 5276, loipartusa@loipart.com

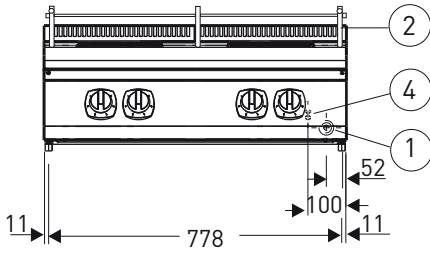
Loipart SEA Pte Ltd, Singapore
Tel. +65 674 99 100, contact@loipart.sg

Visit us at www.loipart.com

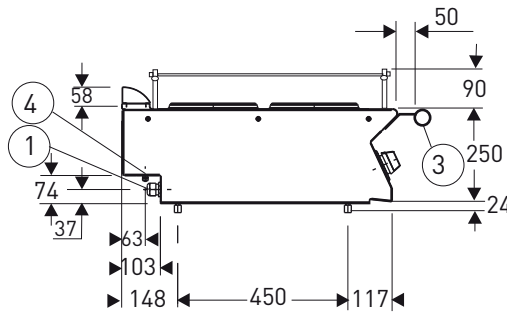
DIMENSIONS

Model: E7ECEH4Q Rev. 1

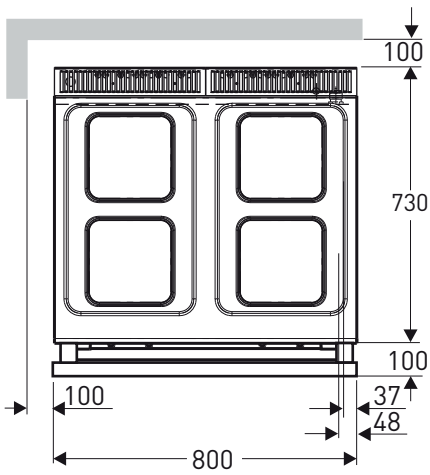
FRONT



SIDE



TOP



- 1. Electrical connection
- 2. Rolling rack
- 3. Front hand rail
- 4. Equipotential screw