



## COOKING TOP, 4 HOT PLATES

**Model: E7ECEH4R**

**Article no: 371015M50**

**Power supply: 400V 3Ph ~50/60Hz**

The 700XP series is designed to guarantee the highest level of performance, reliability, energy saving, safety standards and ergonomic operation.

This cooking top is to be mounted on an open base cupboard, bridging support or cantilever system.

Four hermetically sealed 2.6kW cast-iron plates on a one-piece pressed 1.5 mm stainless steel worktop. The design of the control knob system guarantees against water infiltration. Right-angled side edges allow flush-fitting joints between units, eliminating gaps and possible dirt traps.

### MAIN FEATURES

- Four round 2.6kW cast-iron plates
- IPX 4 water protection
- All exterior panels in Stainless Steel with Scotch Brite finishing
- One-piece pressed 1.5 mm stainless steel worktop

E7ECEH4R, 371015M50

08-09-22 (09:27)

## TECHNICAL DATA

E7ECEH4R, 371015M50, 08-09-22 (09:27)

<b>Model Number Specific</b>	E7ECEH4R
<b>Voltage (V)</b>	400
<b>Phase</b>	3
<b>Frequency (Hz)</b>	50/60
<b>Loading (kW)</b>	10,4
<b>Max Amps in Phase (A)</b>	17,5
<b>IP Class</b>	X4
<b>Width, net (mm)</b>	800
<b>Depth, net (mm)</b>	730
<b>Height, net (mm)</b>	250
<b>Weight, net (kg)</b>	40
<b>Weight, gross (kg)</b>	48
<b>Volume, net (m3)</b>	0,15
<b>Volume, gross (m3)</b>	0,38
<b>Product brand</b>	Electrolux Professional
<b>Adapted for container sizes</b>	None
<b>Cast iron pan</b>	Yes
<b>Front rail, included</b>	Yes
<b>Hot plate diameter (mm)</b>	230
<b>Hot Plate loading (kW)</b>	2,6
<b>Hot plate, qty (pcs)</b>	4
<b>Hot plate, type</b>	Round
<b>Installation, type</b>	Table top model
<b>Noise level &lt;(dB)</b>	70
<b>Oven, included</b>	No
<b>Range, type</b>	Cast Iron
<b>Timer</b>	No
<b>Touch control</b>	No

## INCLUDED IN DELIVERY

- Rolling rack • Front hand rail 216047

Loipart AB (HQ), Sweden  
Tel. +46 313 920 100, loipart@loipart.se

LMG Finland oy, Finland  
+358 40 664 6680, lmg@lmg.fi



Loipart USA inc, USA  
Tel. +1 954 530 5276, loipartusa@loipart.com

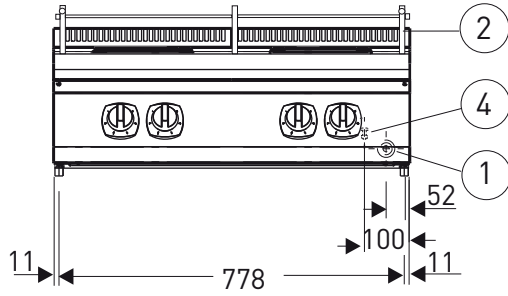
Loipart SEA Pte Ltd, Singapore  
Tel. +65 674 99 100, contact@loipart.sg

Visit us at [www.loipart.com](http://www.loipart.com)

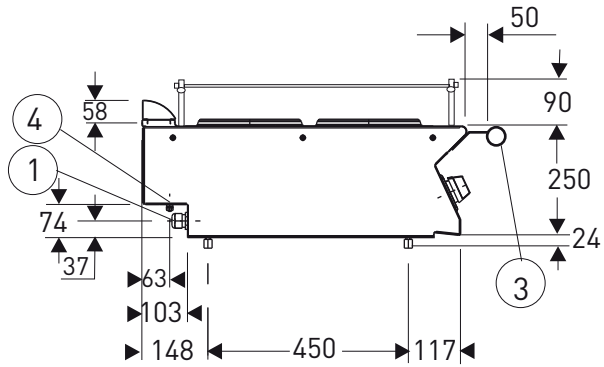
# DIMENSIONS

Model: E7ECEH4R Rev. 1

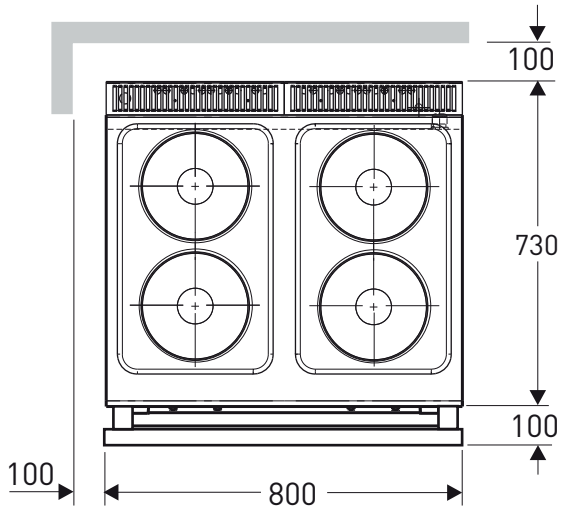
FRONT



SIDE



TOP



- 1. Electrical connection
- 2. Rolling rack
- 3. Front hand rail
- 4. Equipotential screw