



## COOKING TOP, 2 ZONES AND OPEN CUPBOARD

**Model: MCLVEAE1DM**

**Article no: 589874TC**

**Power supply: 440V 3Ph ~60Hz**

Freestanding premium cooking top with open cabinet. The solid top made of smooth, pore-free, steel. Two independently controlled heating zones with two electronic sensors per zone and eight power levels. Rapid plate heat up, continuously ready to use. Overheat protection switches off the supply in case of overheating. Standby function saves energy and quickly recovers maximum power.

THERMODUL connection system creates a seamless worktop when units are connected, thus avoiding soil penetrating vital components and facilitating the removal of units in case of replacement or service.

The design of the controls prevents infiltration and have embedded hygienic silicone "soft" grip for easier handling and cleaning.

The cooking top is fitted with a large visible digital display manufactured in tempered glass to resist heat and chemicals, showing temperatures or power settings. The display also shows on/off status of the appliance and the heating elements.

### MAIN FEATURES

- 2 heating zones independently controlled.
- Rapid heat-up of the plate and continuously ready for use.
- Overheat protection
- Pans can easily be moved from one area to another without lifting.
- Solid top cooking surface made of 20 mm thick steel, DIN 1.7335, smooth pore-free and easy to clean.
- Wide rounded cleaning zone around the plates.
- IPX5 water resistance certification.
- All major components are accessible from the front.
- Standby function for energy saving
- Cooking plate and base joint profile
- Two electronic sensors per zone to control surface.
- 8 power levels.

MCLVEAE1DM, 589874TC  
08-09-22 (11:00)

Subject to change without notice  
For correct installation, refer to the installation manual

## TECHNICAL DATA

MCLVEAE1DM, 589874TC, 08-09-22 (11:00)

<b>Model Number Specific</b>	MCLVEAE1DM
<b>Voltage (V)</b>	440
<b>Phase</b>	3
<b>Frequency (Hz)</b>	60
<b>Loading (kW)</b>	6
<b>Max Amps in Phase (A)</b>	11,8
<b>IP Class</b>	X5
<b>Width, net (mm)</b>	500
<b>Depth, net (mm)</b>	900
<b>Height, net (mm)</b>	900
<b>Weight, net (kg)</b>	98
<b>Weight, gross (kg)</b>	104
<b>Volume, net (m3)</b>	0,41
<b>Volume, gross (m3)</b>	0,8
<b>Product brand</b>	Electrolux Professional Thermaline
<b>Induction/ceramic zones, qty (pcs)</b>	2
<b>Range, type</b>	Steel
<b>USPH</b>	Yes

Loipart AB (HQ), **Sweden**  
Tel. +46 313 920 100, loipart@loipart.se

LMG Finland oy, **Finland**  
+358 40 664 6680, lmg@lmg.fi



Loipart USA inc, **USA**  
Tel. +1 954 530 5276, loipartusa@loipart.com

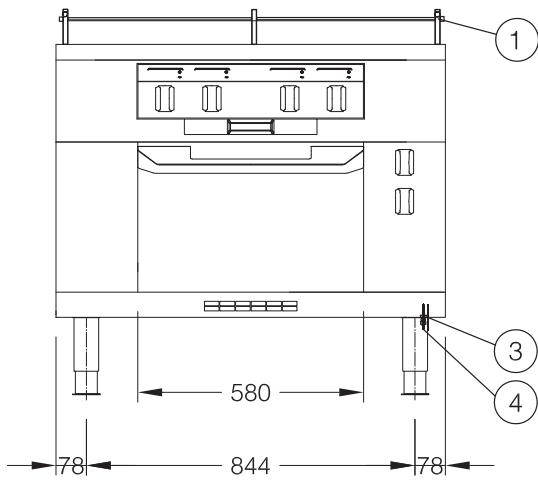
Loipart SEA Pte Ltd, **Singapore**  
Tel. +65 674 99 100, contact@loipart.sg

Visit us at [www.loipart.com](http://www.loipart.com)

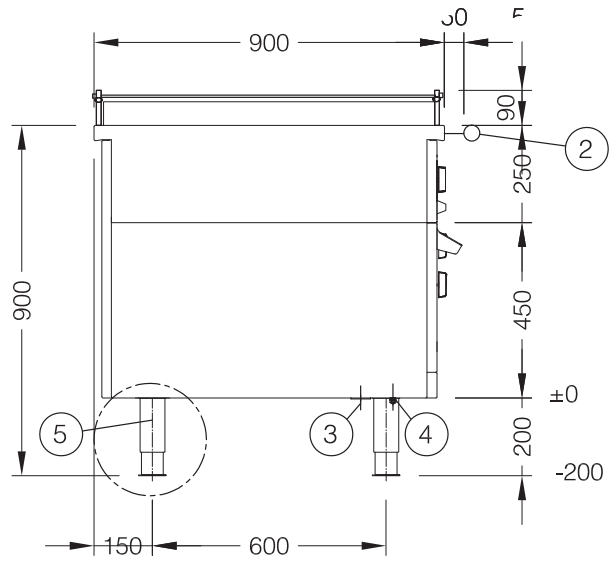
# DIMENSIONS

Model: MCLVEAE1DM Rev. 2

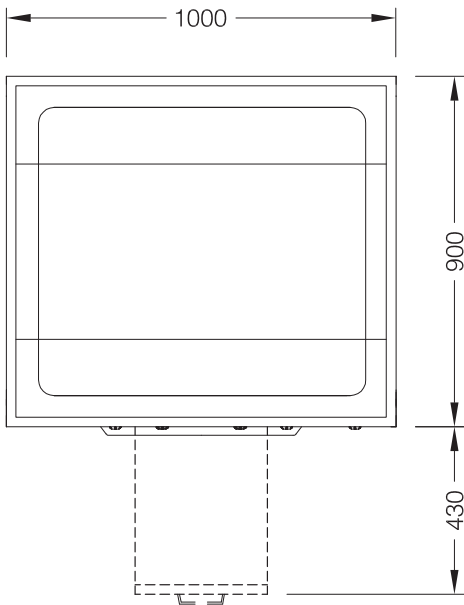
FRONT



SIDE

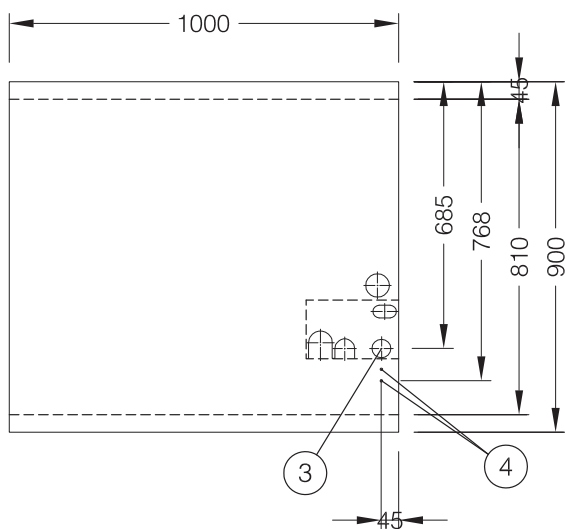


TOP



- 1. Rolling racks
- 2. Hand rail
- 3. Electrical connection
- 4. Equipotential screw
- 5. Marine legs

BOTTOM



DETAIL MARINE FOOT

