



COOKING TOP, 2 HOT PLATES

Model: E9ECMD2Q05

Article no: 391180

Power supply: 400V 3Ph ~50/60Hz

The 900XP range is designed to guarantee the highest level of performance, reliability, energy saving, safety standards and ergonomic operation.

This cooking top is to be installed on open base installations, bridging supports or cantilever systems.

2 mm stainless steel heavy-duty worktop with two 4 kW square cast-iron hot plates which are hermetically sealed.

Right-angled side edges to allow flush-fitting junction between units.

The model has stainless steel exterior panels with a Scotch Brite finish.

MAIN FEATURES

- IPX5 water protection
- The design of the control knob system guarantees against water infiltration
- Unit to be mounted on open base cupboards, bridging supports or cantilever systems
- Two hermetically sealed 4kW cast-iron square plates
- AISI 304 stainless steel worktop, 2mm thick
- All exterior panels in Stainless Steel with Scotch Brite finishing
- Model is 930 mm deep to give a larger working surface area

E9ECMD2Q05, 391180

08-09-22 (10:11)

TECHNICAL DATA

E9ECMD2Q05, 391180, 08-09-22 (10:11)

Model Number Specific	E9ECMD2Q05
Voltage (V)	400
Phase	3
Frequency (Hz)	50/60
Loading (kW)	8
Max Amps in Phase (A)	17,4
IP Class	X5
Width, net (mm)	400
Depth, net (mm)	930
Height, net (mm)	251
Weight, net (kg)	38
Weight, gross (kg)	53
Volume, net (m3)	0,25
Volume, gross (m3)	0,33
Product brand	Electrolux Professional
Front rail, included	Yes
Hot plate dimensions (mm)	300x300
Hot Plate loading (kW)	4
Hot plate, qty (pcs)	2
Hot plate, type	Square
Installation, type	Table top model
Oven, included	No
Range, type	Cast Iron
Timer	No
Touch control	No

INCLUDED IN DELIVERY

Rolling rack and front handrail.

Loipart AB (HQ), **Sweden**
Tel. +46 313 920 100, loipart@loipart.se

LMG Finland oy, **Finland**
+358 40 664 6680, lmg@lmg.fi



Loipart USA inc, **USA**
Tel. +1 954 530 5276, loipartusa@loipart.com

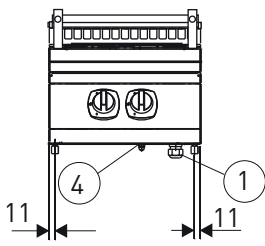
Loipart SEA Pte Ltd, **Singapore**
Tel. +65 674 99 100, contact@loipart.sg

Visit us at www.loipart.com

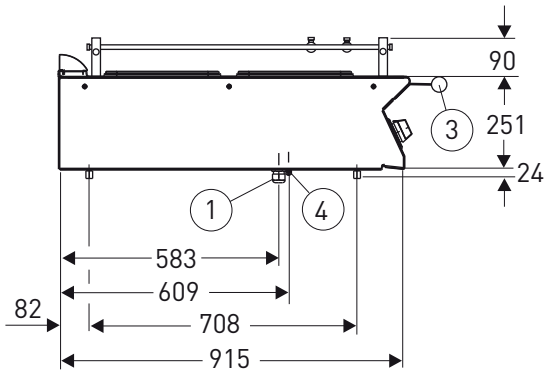
DIMENSIONS

Model: E9ECMD2Q Rev. 1

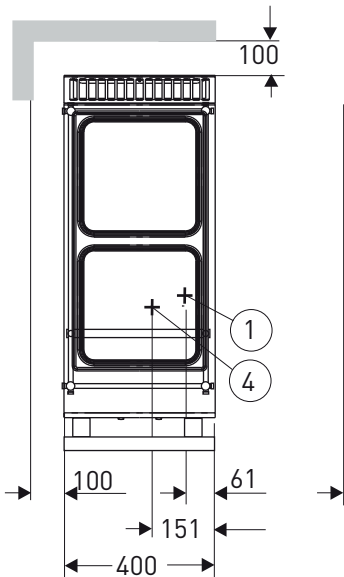
FRONT



SIDE



TOP



1. Electrical connection
2. Rolling rack
3. Front hand rail
4. Equipotential screw