



COOKING TOP, 2 HOT PLATES

Model: E7ECMD2R05

Article no: 371146

Power supply: 400V 3Ph ~50/60Hz

The 700XP series is designed to guarantee the highest level of performance, reliability, energy saving, safety standards and ergonomic operation.

This cooking top is to be mounted on an open base cupboard, bridging support or cantilever system.

Two hermetically sealed 2.6kW cast-iron plates on a one-piece pressed 1.5 mm stainless steel worktop. The design of the control knob system guarantees against water infiltration. Right-angled side edges allow flush-fitting joints between units, eliminating gaps and possible dirt traps.

MAIN FEATURES

- Two round 2.6kW cast-iron plates
- IPX 4 water protection
- All exterior panels in Stainless Steel with Scotch Brite finishing
- One-piece pressed 1.5 mm stainless steel worktop

E7ECMD2R05, 371146

08-09-22 (09:19)

TECHNICAL DATA

E7ECMD2R05, 371146, 08-09-22 (09:19)

Model Number Specific	E7ECMD2R05
Voltage (V)	400
Phase	3
Frequency (Hz)	50/60
Loading (kW)	5,2
Max Amps in Phase (A)	11,5
IP Class	X4
Width, net (mm)	400
Depth, net (mm)	730
Height, net (mm)	250
Weight, net (kg)	20
Weight, gross (kg)	25
Volume, net (m3)	0,22
Volume, gross (m3)	0,29
Product brand	Electrolux Professional
Front rail, included	Yes
Hot plate diameter (mm)	230
Hot Plate loading (kW)	2,6
Hot plate, qty (pcs)	2
Hot plate, type	Round
Installation, type	Table top model
Noise level <(dB)	70
Oven, included	No
Range, type	Cast Iron
Timer	No
Touch control	No

INCLUDED IN DELIVERY

1 of Frontal handrail, 400mm PNC 216046

Loipart AB (HQ), **Sweden**
Tel. +46 313 920 100, loipart@loipart.se

LMG Finland oy, **Finland**
+358 40 664 6680, lmg@lmg.fi



Loipart USA inc, **USA**
Tel. +1 954 530 5276, loipartusa@loipart.com

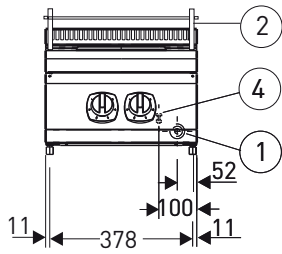
Loipart SEA Pte Ltd, **Singapore**
Tel. +65 674 99 100, contact@loipart.sg

Visit us at www.loipart.com

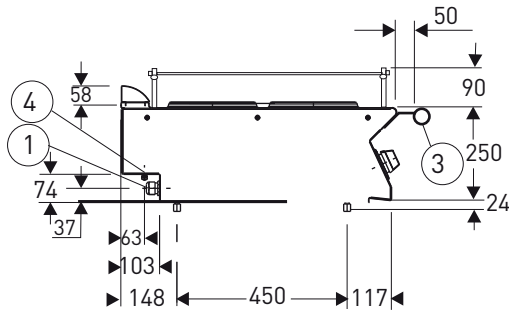
DIMENSIONS

Model: E7ECMD2R0 Rev. 1

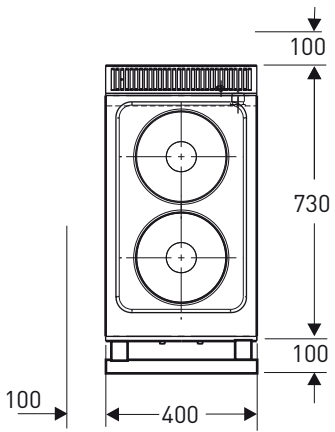
FRONT



SIDE



TOP



- 1. Electrical connection
- 2. Rolling rack
- 3. Front hand rail
- 4. Equipotential screw