



CONVECTION OVEN, COMPACT, 6XGN1/1

Model: ECD061L

Article no: 260635

Power supply: 230V 3Ph ~50/60Hz

The electric convection oven has a capacity of 6xGN1/1, direct steam, and 11 humidity level settings.

It is possible to save up to 99 recipes in the oven's memory, allowing you to quickly recreate them at any time. Both manual and automatic rapid cooling will activate when transitioning from a high to a low temperature.

The dry, hot convection cycle (maximum 280°C) is ideal for low-humidity cooking. The exhaust valve is electronically controlled to extract humidity in excess for extra crispy results.

The oven has a double thermo-glazed door with open frame construction for cool outside door panel. The main components can be easily serviced by swinging open the front panel.

The door has a hinged inner glass that can be easily released for convenient cleaning. The internal chamber is seamless and hygienic, with rounded corners for easy cleaning.

MAIN FEATURES

- Left hinged door
- Model is without automatic cleaning
- Direct steam
- USB connection
- Variable fan speed with 3 levels

ECD061L, 260635

22-01-24 (14:25)

TECHNICAL DATA

ECD061L, 260635, 22-01-24 (14:25)

Model Number Specific	ECD061L
Voltage (V)	230
Phase	3
Frequency (Hz)	50/60
Loading (kW)	6,9
Max Amps in Phase (A)	14
IP Class	X4
Capacity, pans (pcs)	6
Width, net (mm)	520
Depth, net (mm)	803
Height, net (mm)	770
Weight, net (kg)	72
Weight, gross (kg)	83
Connection Cable, length (m)	0
Plug type	None
Adapted for container sizes	GN
Automatic cleaning system	No
Cold water inlet temperature (°C)	15
Cold water inlet, diameter (")	G 3/4
Door Hanging	Left
Drain pipe, diameter (mm)	40
Marine feet	Yes
Noise level <(dB)	70
Oven, type	Convection
Water pressure, max (Bar)	3
Water pressure, min (Bar)	1,5

INCLUDED IN DELIVERY

Supplied with n.1 tray rack 1/1GN, 30mm pitch.

Loipart AB (HQ), Sweden
Tel. +46 313 920 100, loipart@loipart.se

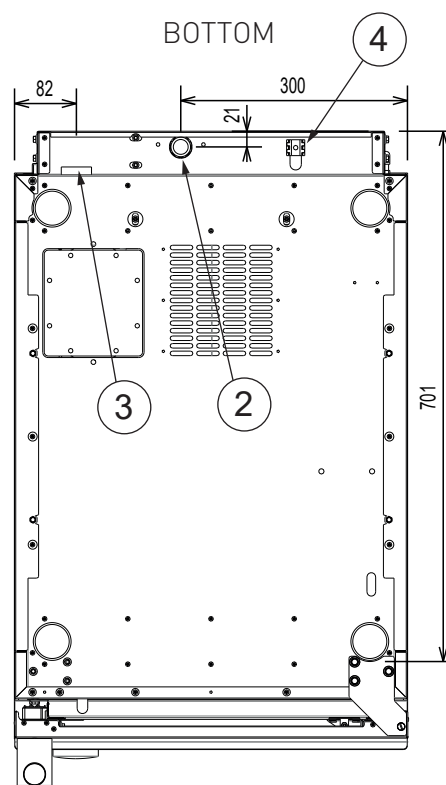
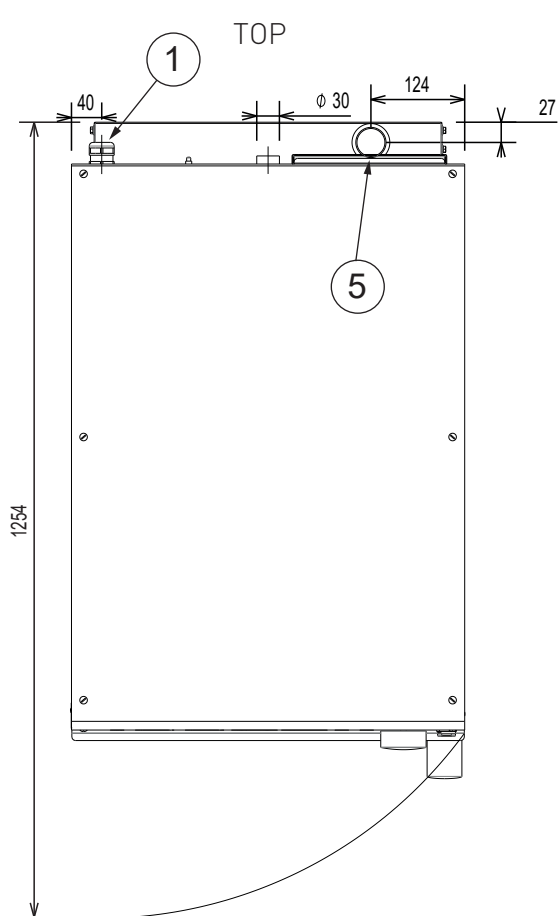
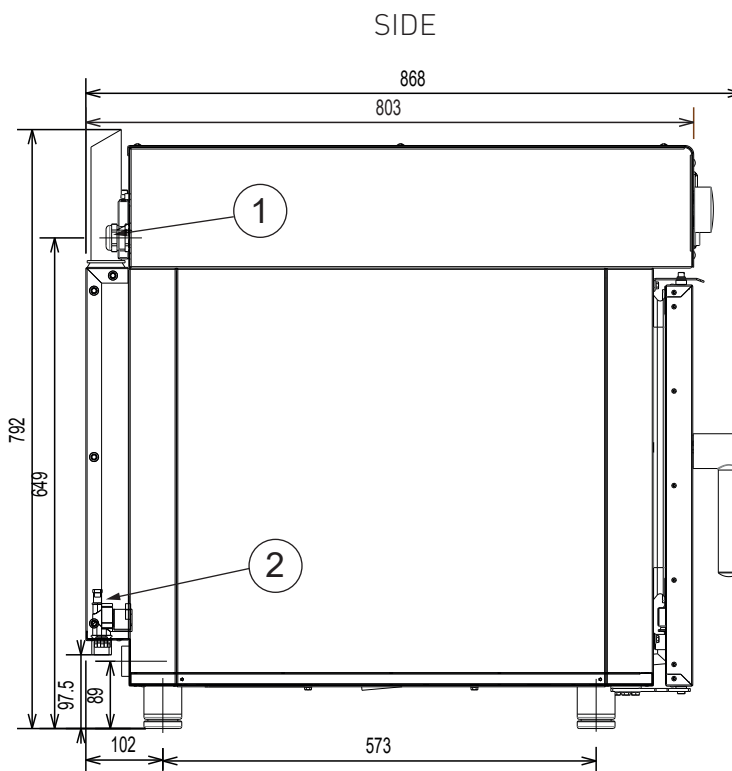
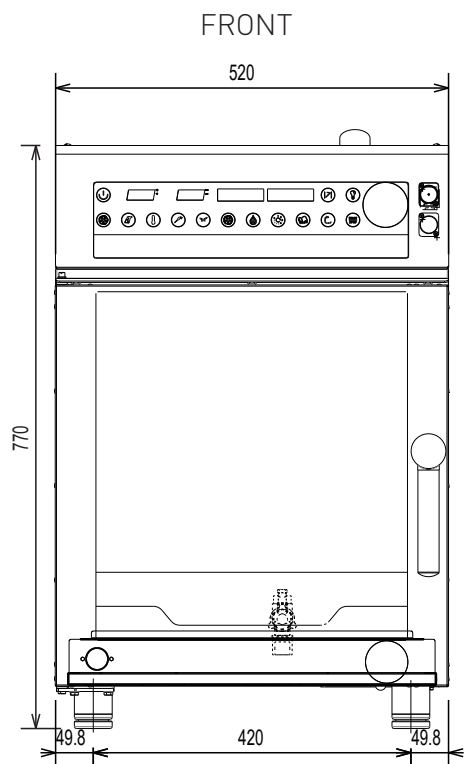
LMG Finland oy, Finland
+358 40 664 6680, lmg@lmg.fi



Loipart USA inc, USA
Tel. +1 954 530 5276, loipartusa@loipart.com

Loipart SEA Pte Ltd, Singapore
Tel. +65 674 99 100, contact@loipart.sg

Visit us at www.loipart.com

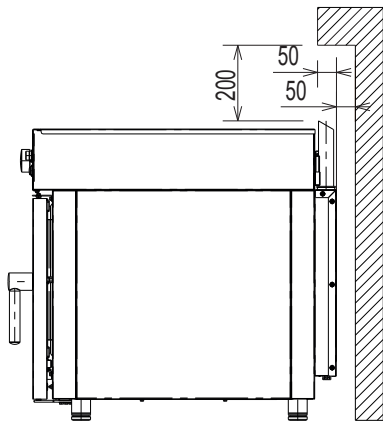
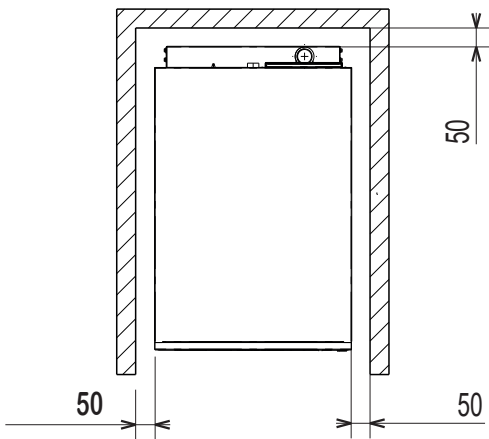


1. Electrical connection
2. Cold water inlet G 3/4
3. Drain Ø 40 mm
4. Equipotential point
5. Steam outlet Ø 40 mm

DIMENSIONS

Model: ECD061L Rev. 1

POSITIONING OF MACHINE



DETAIL MARINE FOOT

