



## RANGE, 4 HOT PLATES AND OVEN

Model: E9ECMH4QE6

Article no: 391185

Power supply: 440V 3Ph ~50/60Hz

The 900XP range is designed to guarantee the highest level of performance, reliability, energy saving, safety standards and ergonomic operation.

This range has four 4 kW square cast-iron hot plates hermetically sealed to a one-piece top.

The range has an oven chamber with three levels of runners to accommodate 2/1 GN shelves (2 steam pans). Ribbed, cast-iron oven base plate. Exterior panels of the unit in stainless steel with Scotch Brite finish. Pan supports in heavy duty cast iron. Extra strength worktop in heavy duty 2 mm stainless steel.

Right-angled side edges to allow flush-fitting junction between units.

### MAIN FEATURES

- IPX5 water protection
- The design of the control knob system guarantees against water infiltration
- Two hermetically sealed 4kW cast-iron plates
- AISI 304 stainless steel worktop, 2mm thick
- All exterior panels in Stainless Steel with Scotch Brite finishing
- Model is 930 mm deep to give a larger working surface area
- Oven chamber with three levels of runners to accommodate 2/1 GN shelves
- Thermostat temperature adjustable from 110°C to 285°C.

E9ECMH4QE6, 391185

26-02-21 (11:21)

<b>Model Number Specific</b>	E9ECMH4QE6
<b>Voltage (V)</b>	440
<b>Phase</b>	3
<b>Frequency (Hz)</b>	50/60
<b>Loading (kW)</b>	22
<b>Max Amps in Phase (A)</b>	33,4
<b>IP Class</b>	X5
<b>Capacity, pans (pcs)</b>	3
<b>Width, net (mm)</b>	800
<b>Depth, net (mm)</b>	930
<b>Height, net (mm)</b>	900
<b>Weight, net (kg)</b>	135
<b>Weight, gross (kg)</b>	160
<b>Volume, net (m3)</b>	0,67
<b>Volume, gross (m3)</b>	0,99
<b>Product brand</b>	Electrolux Professional
<b>Adapted for container sizes</b>	GN
<b>Front rail, included</b>	Yes
<b>Hot plate dimensions (mm)</b>	300x300
<b>Hot Plate loading (kW)</b>	4
<b>Hot plate, qty (pcs)</b>	4
<b>Hot plate, type</b>	Square
<b>Installation, type</b>	Floor model
<b>Marine feet</b>	Yes
<b>Noise level &lt;(dB)</b>	70
<b>Oven, included</b>	Yes
<b>Oven, type</b>	Roasting and Baking
<b>Ovens, qty (pcs)</b>	1
<b>Pan sizes</b>	GN2/1
<b>Range, type</b>	Cast Iron
<b>Temperature, max (°C)</b>	285
<b>Timer</b>	No
<b>Touch control</b>	No

## INCLUDED IN DELIVERY

- 1 of GN 2/1 chrome grid for static oven (164250) • 1 of Frontal handrail, 800mm article no (216047)

Loipart AB (HQ), Sweden  
Tel. +46 313 920 100, loipart@loipart.se

LMG Finland oy, Finland  
+358 40 664 6680, lmg@lmg.fi



Loipart USA inc, USA  
Tel. +1 954 530 5276, loipartusa@loipart.com

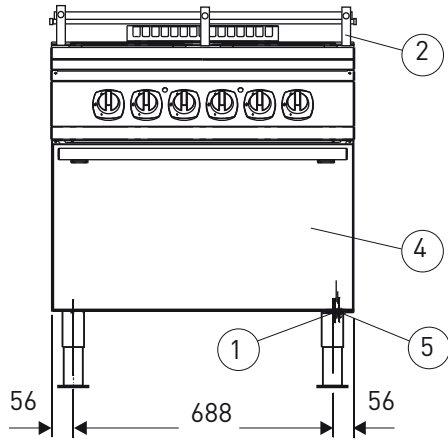
Loipart SEA Pte Ltd, Singapore  
Tel. +65 674 99 100, contact@loipart.sg

Visit us at [www.loipart.com](http://www.loipart.com)

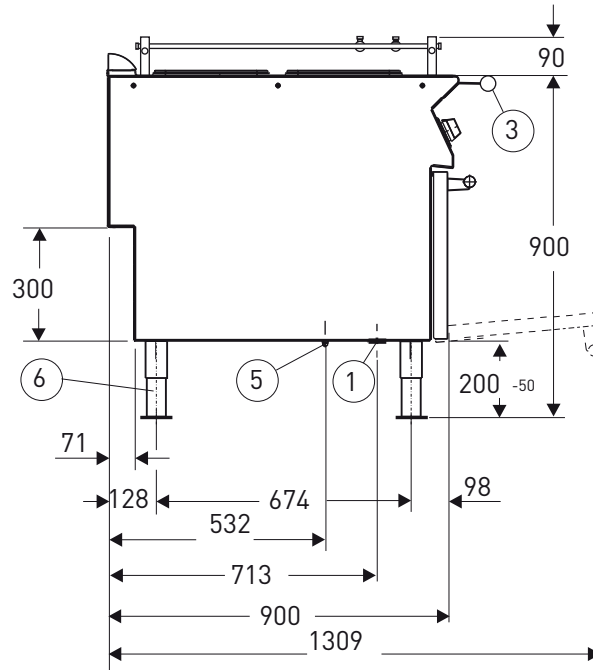
# DIMENSIONS

Model: E9ECMH4QE Rev. 1

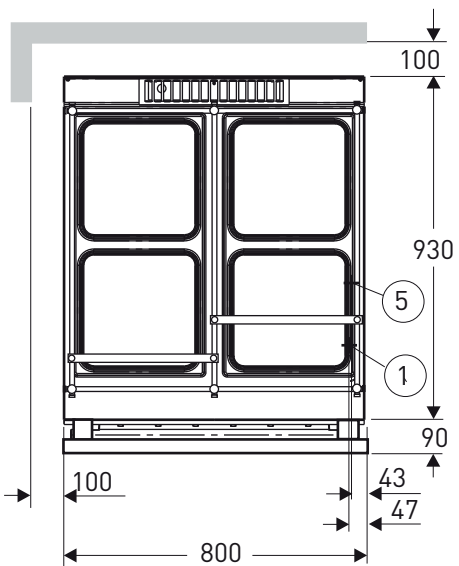
FRONT



SIDE



TOP



- 1. Electrical connection
- 2. Rolling rack
- 3. Front hand rail
- 4. Oven 6 kW
- 5. Equipotential screw
- 6. Marine leg

DETAIL MARINE FEET

